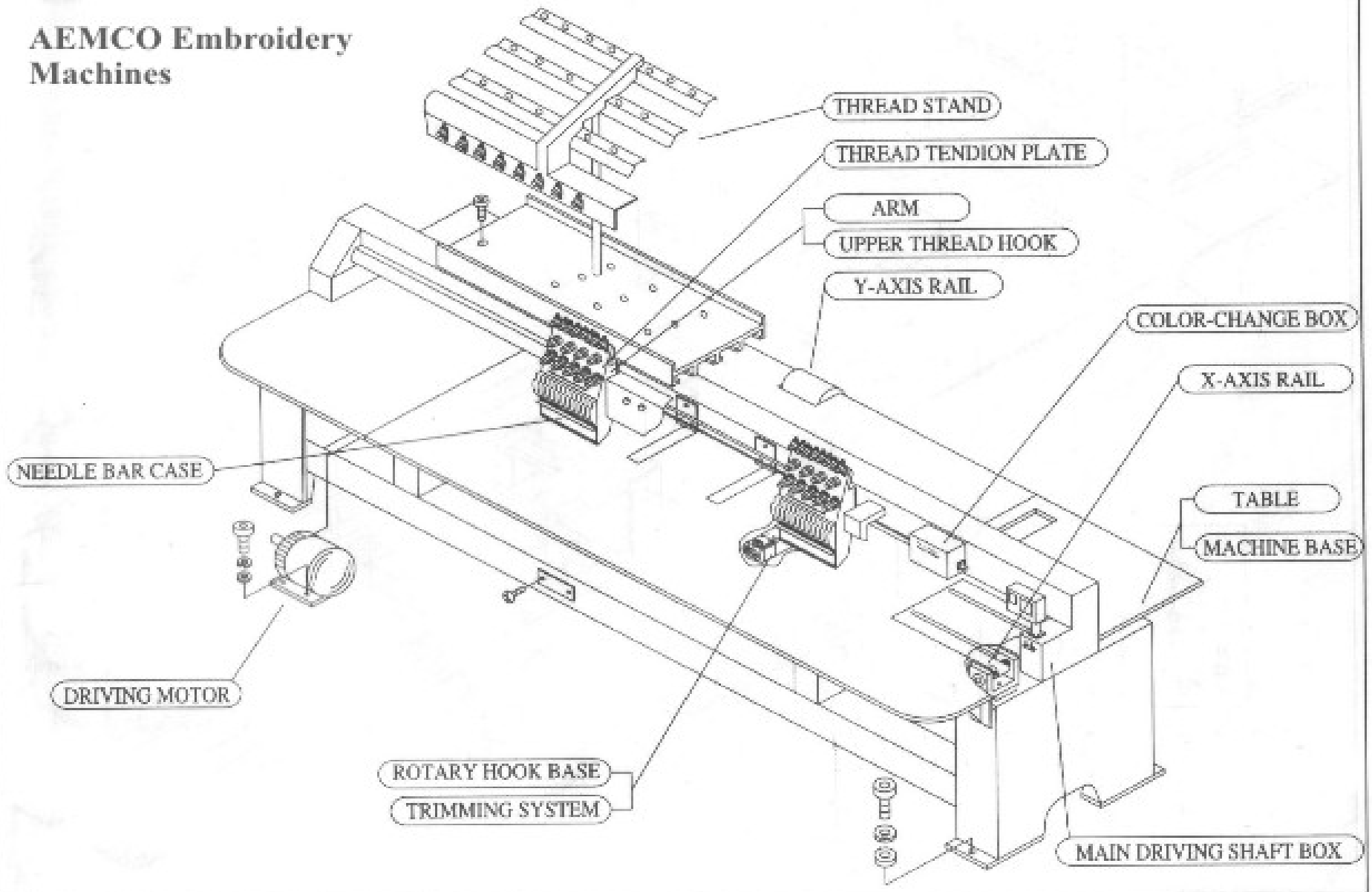
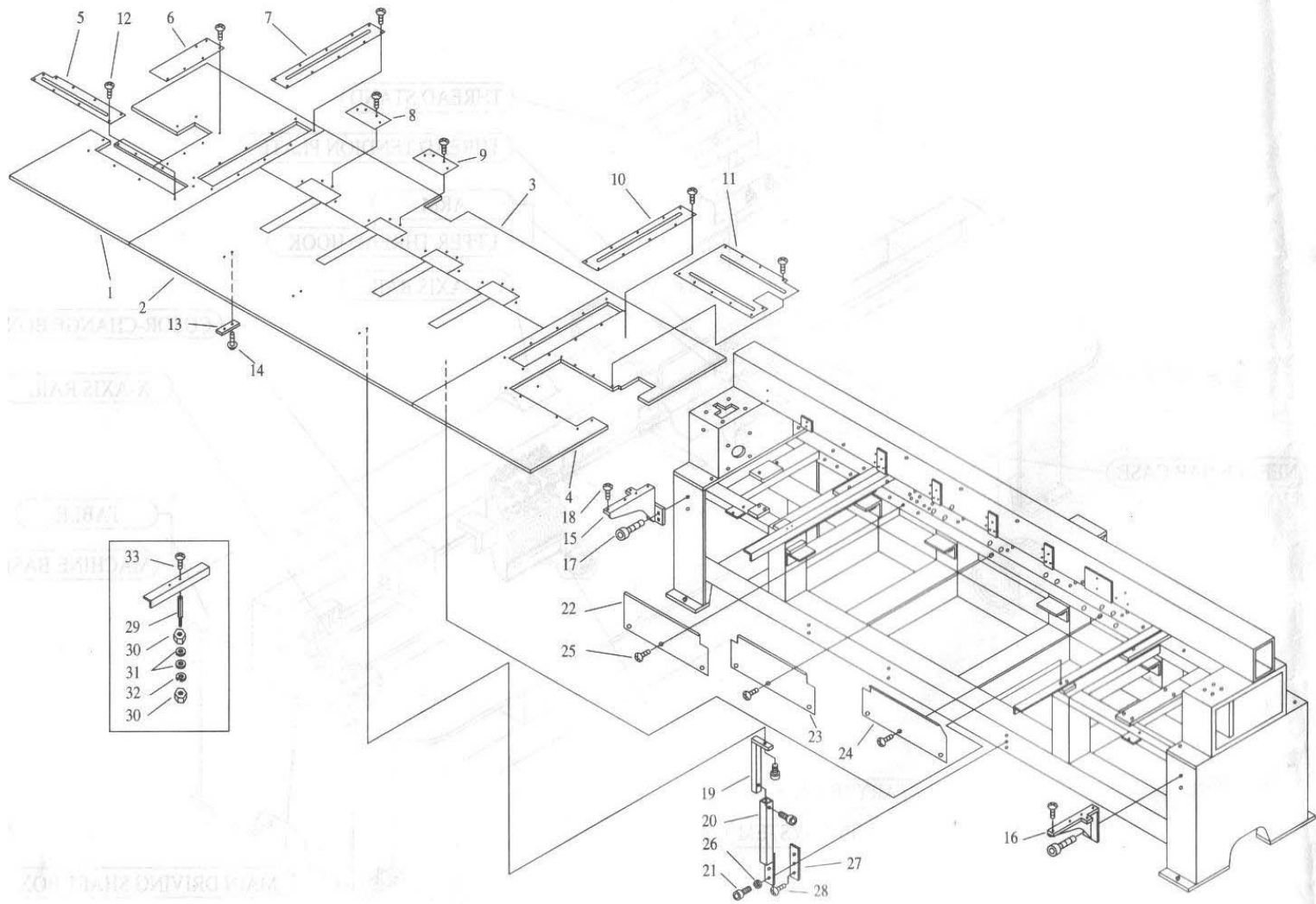


# AEMCO Embroidery Machines

GENERAL VIEW



TABLE

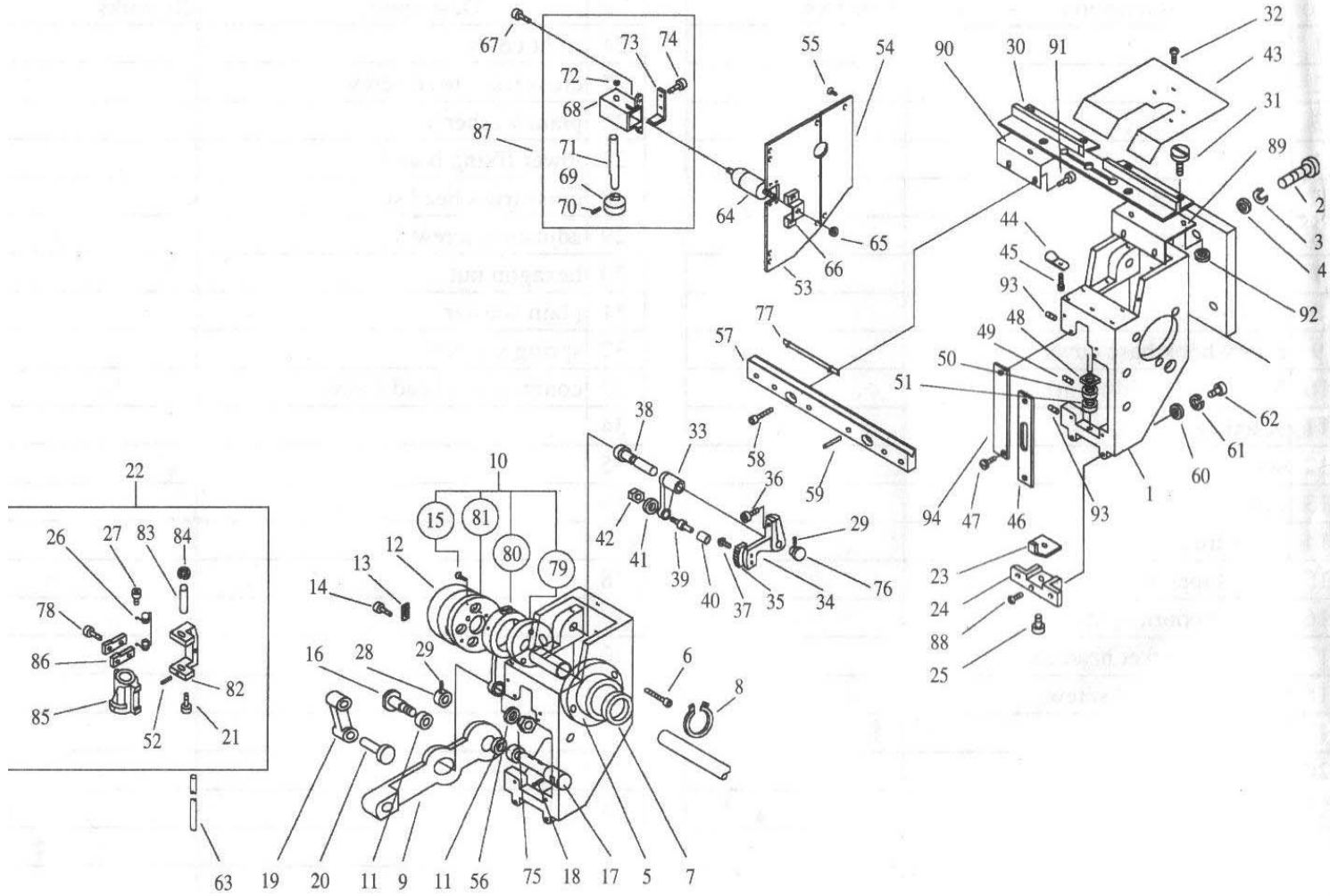


**Table**

No	Description	Remarks
1	table A	
2	table B	
3	table C	
4	table D	
5	X-axis guide bracket lid	
6	tension pulley cover	
7	Y-axis guide lid(left)	
8	cam box cover	
9	rotary hook base cover	
10	Y-axis guide lid(right)	
11	X-axis guide lid	
12	screw	
13	upper fixing board	
14	cross truss head screw	
15	table support(left)	
16	table support(right)	
17	hexagon socket head cap screw	
18	cross truss head screw	
19	upper table support	
20	lower table support	
21	hexagon socket head cap screw	
22	base cover	
23	middle cover	

No	Description	Remarks
24	right cover	
25	cross truss head screw	
26	plain washer	
27	lower fixing board	
28	cross truss head screw	
29	adjusting screw	
30	hexagon nut	
31	plain washer	
32	spring washer	
33	countersunk head screw	
34		
35		
36		
37		
38		
39		
40		
41		
42		
43		
44		
45		
46		

ARM



### Arm

No	Description	Remarks
1	arm	
2	hexagon socket head cap screw	
3	spring washer	
4	plain washer	
5	bearing case	
6	hexagon socket head cap screw	
7	bearing	
8	stopper ring	
9	needle bar driving lever	
10	needle bar driving cam set	
11	bearing	
12	take-up lever cam	
13	cam washer	
14	hexagon socket head cap screw	
15	screw	
16	No.1 pin	
17	No.3 pin	
18	fillister head set screw	
19	needle bar drive connecting rod	
20	No.4 pin	
21	hexagon socket head cap screw	
22	jump parts	
23	positioning plate	

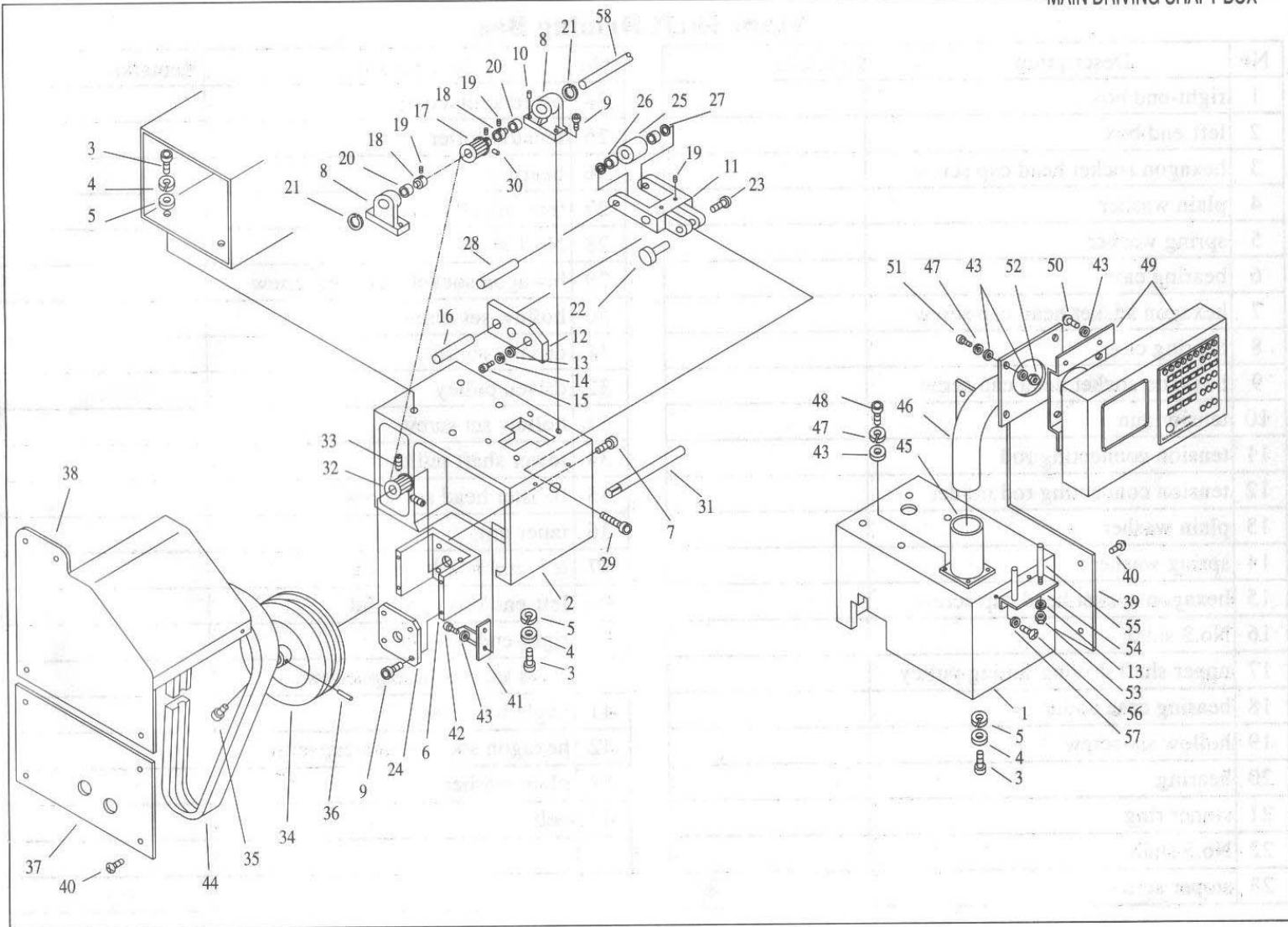
No	Description	Remarks
24	positioning base	
25	hexagon socket head cap screw	
26	jump spring	
27	cross truss head screw	
28	stopper ring	
29	hexagon socket head cap screw	
30	take-up lever guide rail	
31	fillister head set screw	
32	cross truss head screw	
33	take-up lever drive lever A	
34	take-up lever drive lever B	
35	take-up lever	
36	hexagon socket head cap screw	
37	cross truss head screw	
38	take-up lever drive lever pin	
39	roller pin	
40	roller pin	
41	plain washer	
42	hexagon nut	
43	arm top cover	
44	cord cramp	
45	cross truss head screw	
46	arm front cover (right)	

### Arm

No	Description	Remarks
47	flat fillister head set screw	
48	oil felt packing	
49	hollow set screw	
50	bearing case collar	
51	bearing	
52	flat fillister head set screw	
53	arm side front cover	
54	arm side back cover	
55	screw	
56	plain washer	
57	arm rail, upper	
58	hexagon socket head cap screw	
59	spring pin	
60	plain washer	
61	spring washer	
62	hexagon socket head cap screw	
63	needle bar drive shaft	
64	solenoid	
65	hexagon nut	
66	solenoid bracket	
67	hexagon socket head cap screw	
68	solenoid cover	
69	clutch knurled screw	
70	hollow set screw	

No	Description	Remarks
71	clutch pin	
72	stopper ring	
73	stopper plate	
74	hexagon socket head cap screw	
75	hexagon nut	
76	stopper ring	
77	slid roller	
78	flat fillister head set screw	
79	needle bar drive cam	
80	connecting rod	
81	cam base	
82	needle bar reciprocating slide block	
83	needle bar drive shaft bushing	
84	stopper ring	
85	needle bar reciprocator	
86	stopper plate	
87	clutch solenoid set	
88	cross truss head screw	
89	take-up lever guide rail holder(right)	
90	take -up lever guide rail holder(left)	
91	hexagon socket head cap screw	
92	hexagon nut	
93	flat fillister head set screw	
94	arm front cover	

MAIN DRIVING SHAFT BOX



### Main Shaft Drioiing Box

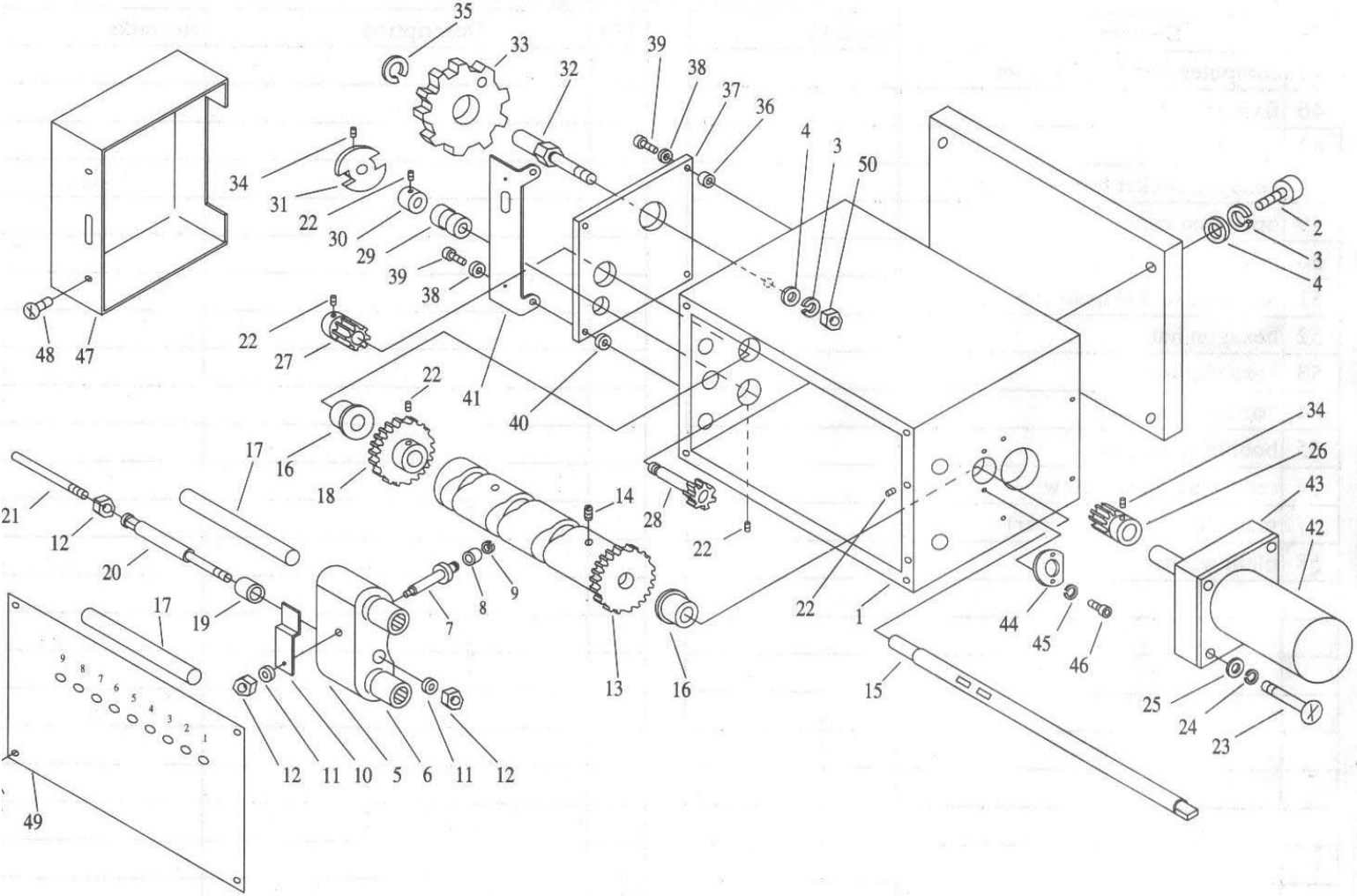
No	Description	Remarks
1	right-end box	
2	left-end box	
3	hexagon socket head cap screw	
4	plain washer	
5	spring washer	
6	bearing case	
7	hexagon socket head cap screw	
8	bearing case	
9	hexagon socket head cap screw	
10	tension pin	
11	tension connecting rod	
12	tension connecting rod holder	
13	plain washer	
14	spring washer	
15	hexagon socket head cap screw	
16	No.2 shaft	
17	upper shaft driving timing pulley	
18	bearing case collar	
19	hollow set screw	
20	bearing	
21	stoper ring	
22	No.3 shaft	
23	stoper screw	

No	Description	Remarks
24	oil fencing cover	
25	tension roller	
26	bearing	
27	tension roller spacer	
28	No.1 shaft	
29	hexagon socket head cap screw	
30	hollow set screw	
31	driving shaft	
32	driven pulley	
33	hollow set screw	
34	lower shaft pulley	
35	fillister head set screw	
36	taper pin	
37	left-end box lower lid	
38	left-end box upper lid	
39	right-end box lid	
40	cross truss head cap screw	
41	angle indicator	
42	hexagon socket head cap screw	
43	plain washer	
44	belt	





COLOR-CHANGE BOX



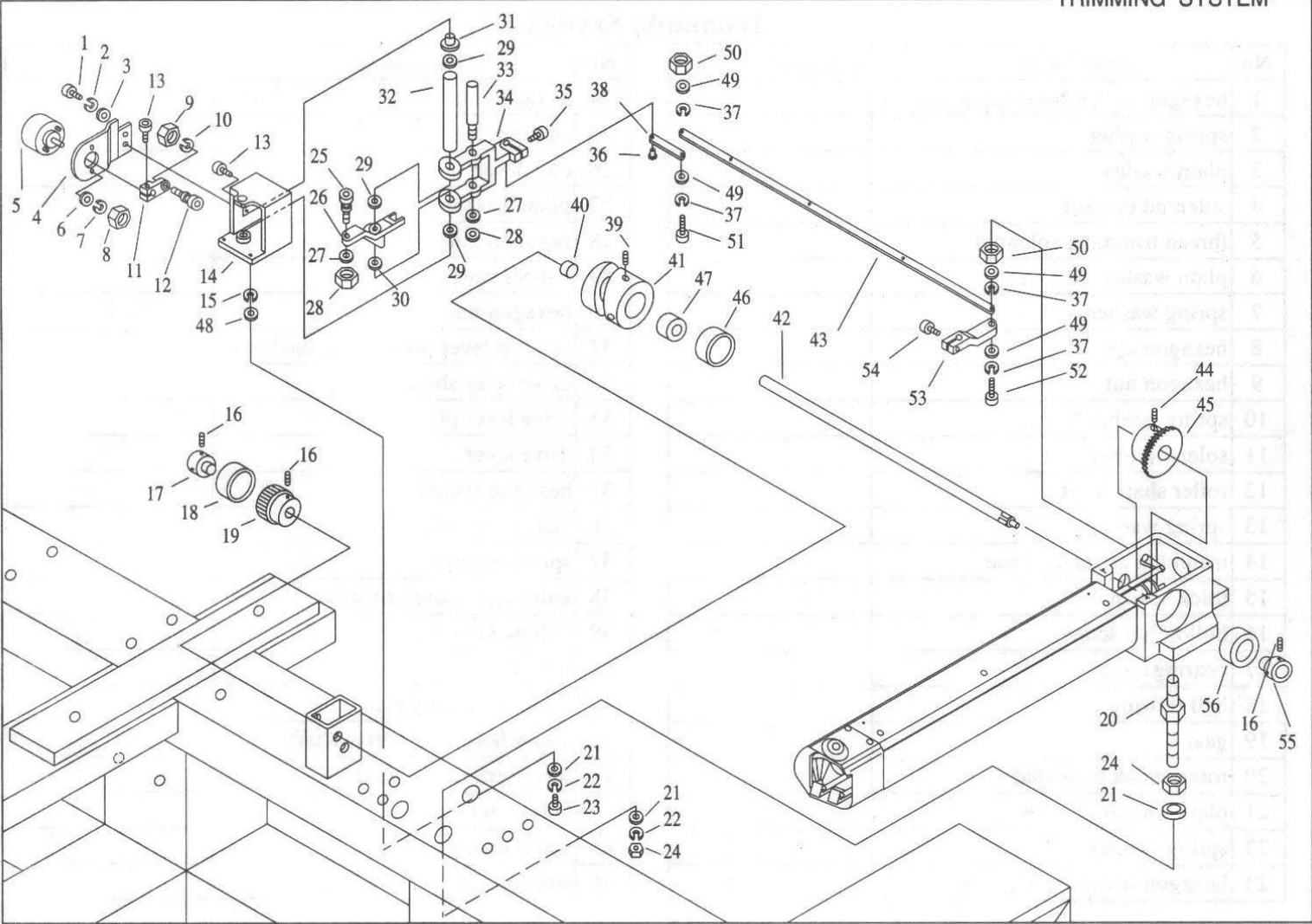
### Color-Change Box

No	Description	Remarks
1	color change box	
2	hexagon socket head cap screw	
3	spring washer	
4	plain washer	
5	slide boss	
6	bearing	
7	cam pin	
8	roller	
9	stopper ring	
10	needle position indicator	
11	plain washer	
12	hexagon nut	
13	cam driving gear	
14	flat fillister head set screw	
15	cam shaft	
16	cam shaft collar	
17	guide shaft	
18	half turn drive gear	
19	slide shaft collar	
20	slide shaft lever	
21	color change pulling lever	
22	hexagon socket head cap screw	
23	cross truss head screw	

No	Description	Remarks
24	spring washer	
25	plain washer	
26	motor gear	
27	position detecting drive gear	
28	half turn gear	
29	half turn gear bushing	
30	stopper ring	
31	switch stopper ring	
32	gear pin	
33	needle position detecting gear	
34	hollow set screw	
35	stopper ring	
36	upper washer	
37	needle position detecting board	
38	plain washer	
39	hexagon socket head cap screw	
40	lower washer	
41	electric board cover bracket	
42	color change motor	
43	gear top cover	
44	adjusting block	
45	spring washer	
46	hexagon socket head cap screw	



TRIMMING SYSTEM



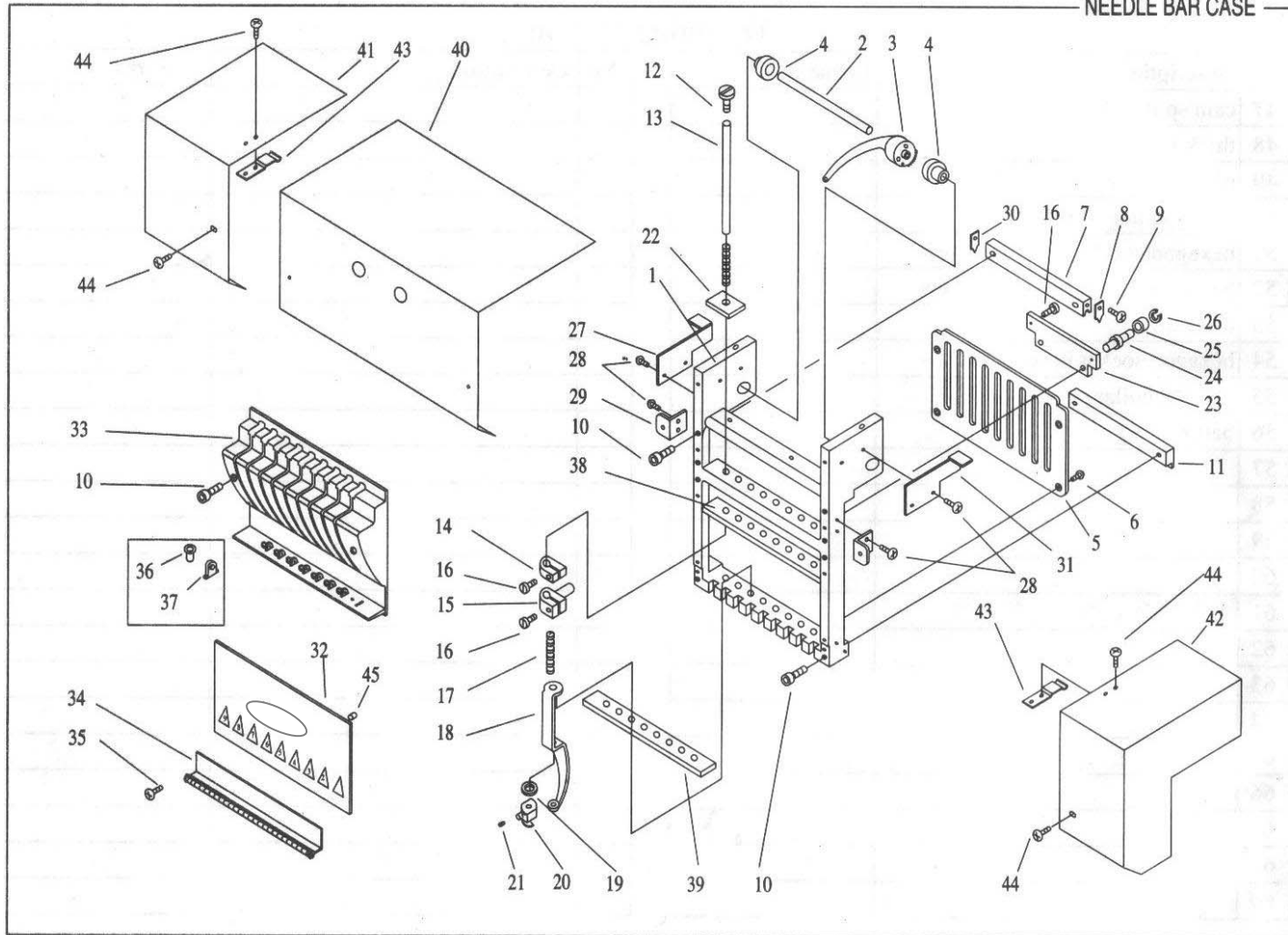
### Trimming System

No	Description	Remarks
1	hexagon socket head cap screw	
2	spring washer	
3	plain washer	
4	solenoid bracket	
5	thread trimming solenoid	
6	plain washer	
7	spring washer	
8	hexagon nut	
9	hexagon nut	
10	spring washer	
11	solenoid lever	
12	roller shaft A set	
13	spring washer	
14	trimming attaching base	
15	thick spacer	
16	hollow set screw	
17	bearing collar	
18	ball bearing	
19	gear	
20	rotary hook base stud	
21	plain washer	
22	spring washer	
23	hexagon socket head cap screw	

No	Description	Remarks
24	hexagon nut	
25	cam pin set	
26	cam lever	
27	plain washer	
28	hexagon nut	
29	copper washer	
30	hexagon nut	
31	take-up lever positioning bushing	
32	drive lever shaft	
33	drive lever pin	
34	drive lever	
35	hexagon socket head cap screw	
36	connecting pin	
37	spring washer	
38	knife drive connecting rod	
39	hollow set screw	
40	bushing	
41	thread trimming cam	
42	rotary hook shaft drive shaft	
43	thread trimming shaft	
44	hollow set screw	
45	spiral bevel gear	
46	stopper ring	



NEEDLE BAR CASE



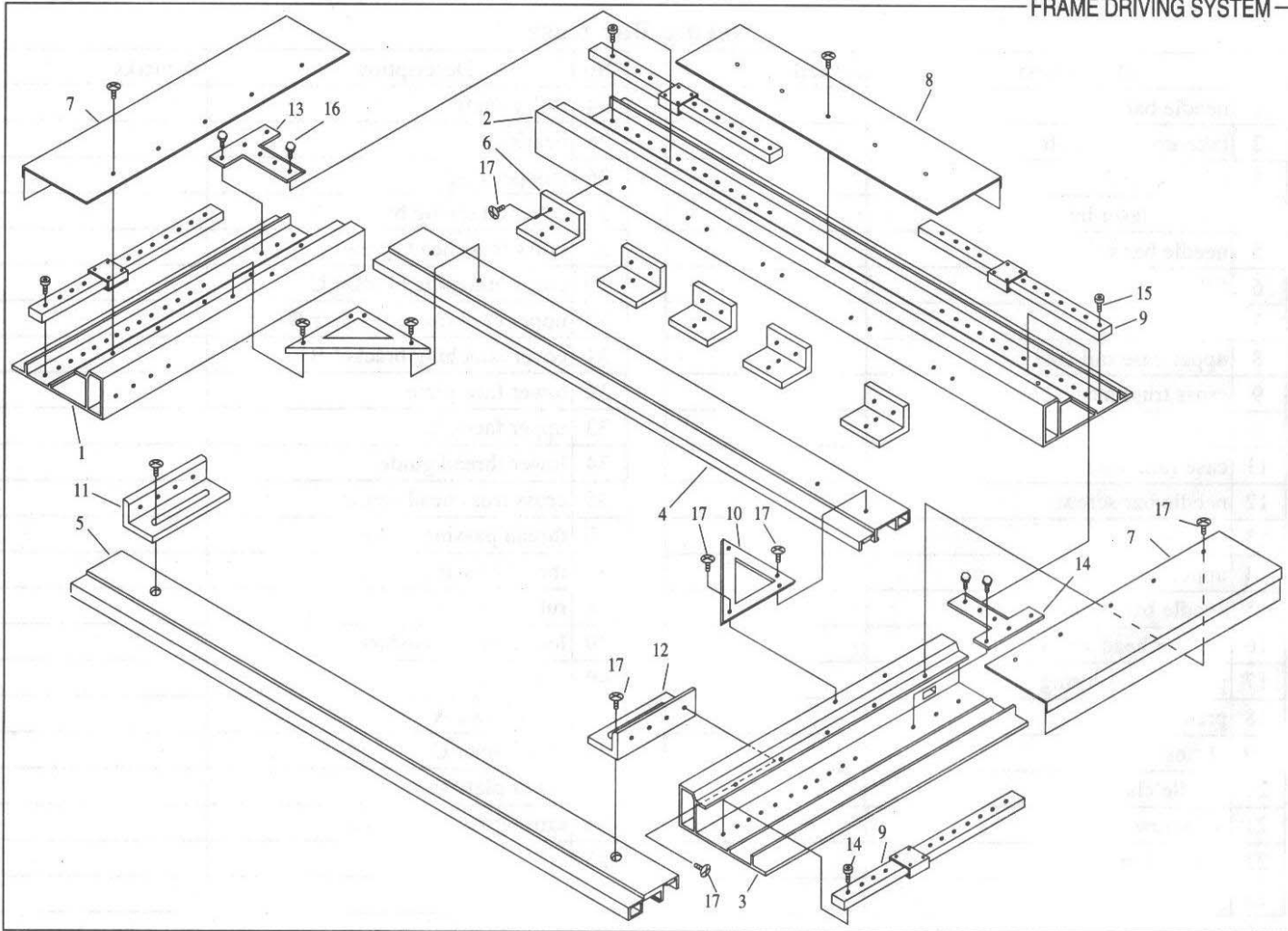


### Needle Bar Case

No	Description	Remarks
1	needle bar case	
2	take-up lever shaft	
3	take-up lever	
4	take up lever bushing	
5	needle bar guide rail	
6	fillister head screw	
7	case rail, upper	
8	upper case rail side cover A	
9	cross truss head screw	
10	hexagon socket head cap screw	
11	case rail, lower	
12	needle bar screw	
13	needle bar	
14	upper dead point stopper	
15	needle bar connecting stud	
16	fillister head screw	
17	presser foot spring	
18	presser foot	
19	O ring	
20	needle clamp set	
21	set screw	
22	felt packing	
23	guide roller base	

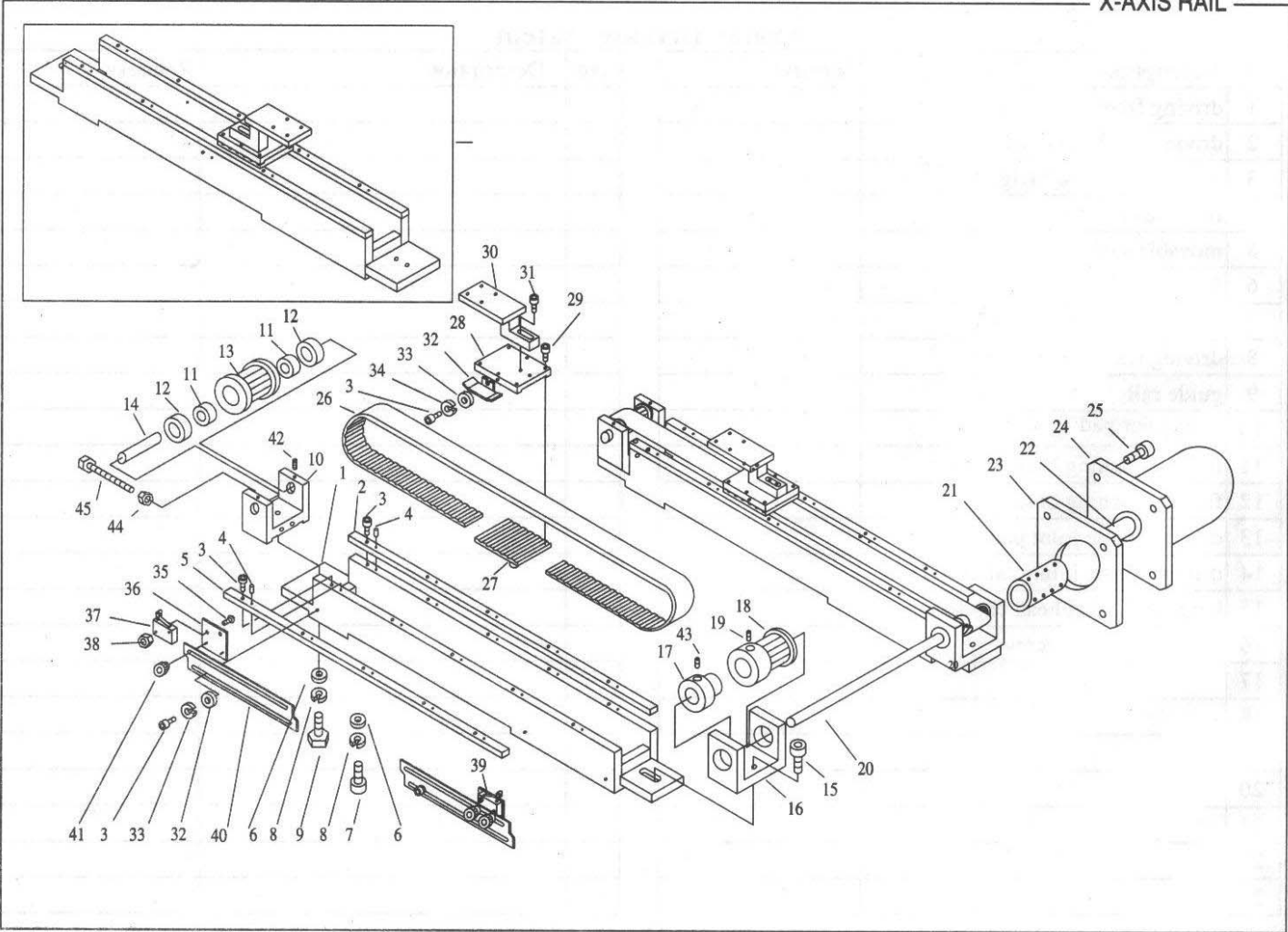
No	Description	Remarks
24	roller shaft	
25	bearing	
26	stopper ring	
27	cover attaching bracket A	
28	cross truss head screw	
29	cover attaching bracket C	
30	upper case rail side cover B	
31	cover attaching bracket B	
32	lower face plate	
33	upper face plate	
34	lower thread guide	
35	cross truss head screw	
36	thread passing collar	
37	thread passing block	
38	rubber cushion	
39	lower rubber cushion	
40	front coverB	
41	front cover A	
42	front cover C	
43	cover plate spring	
44	cross truss head screw	
45		
46		

FRAME DRIVING SYSTEM





X-AXIS RAIL



### X-axis Rail

No	Description	Remarks
1	X-axis guide frame	
2	X-axis frame rail(left)	
3	hexagon socket head cap screw	M4x14
4	spring pin	
5	X-axis frame rail(right)	
6	plain washer	8
7	hexagon socket head cap screw	M8x35
8	spring washer	8
9	hexagon nut	M8x20
10	tension supporting base A	
11	bearing	942/12
12	spacer	
13	tension side driving pulley	
14	driving pulley shaft	
15	hexagon socket head cap screw	M6x20
16	tension supporting base B	
17	bearing bushing	
18	driving pulley	
19	hollow set screw	M6x6
20	X-axis drive shaft(left)	
21	joint	
22	X-axis drive shaft(right)	
23	X-axis motor base	

No	Description	Remarks
24	X-axis stepping motor	AD0101-0107
25	hexagon socket head cap screw	M8x25
26	timing belt	1720x30
27	belt catcher plate	
28	X-axis fccd plate	
29	hexagon socket head cap screw	M4x10
30	frame driver connecting base	
31	hexagon socket head cap screw	M6x12
32	limit switch dog	
33	plain washer	4
34	spring washer	4
35	cross truss head screw	M3x14
36	limit switch base(rear)	
37	limit switch	KW-7
38	hexagon nut	M3
39	limit switch base(font)	
40	limit switch bracket	
41	screw nut	
42	hollow set screw	M5x6
43	hollow set screw	M6.6
44	hexagon nut	M6
45	hexagon stud	M6x70
46		



### Y-axis Rail

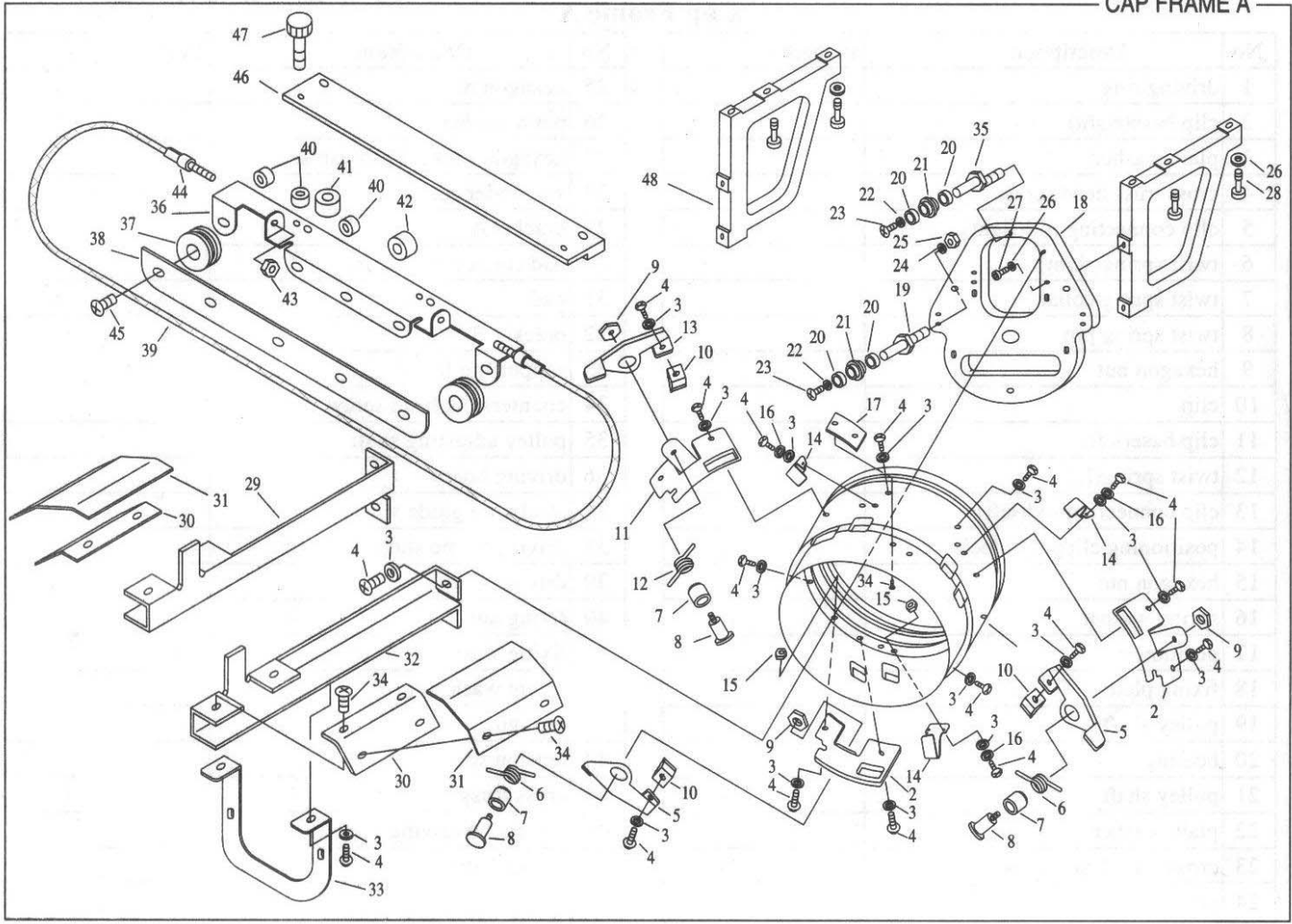
No	Description	Remarks
1	tension supporting base A	
2	tension side timing pulley	
3	bearing	φ 15x φ35x11
4	bearing spacer	
5	Y-axis tension shaft	
6	joint	
7	Y-axis stepping motor base	
8	Y-axis stepping motor	AD010-010T
9	Y-axis guide frame	
10	Y-axis frame rail(left)	
11	Y-axis frame rail(right)	
12	hexagon socket head cap screw	M6x20
13	timing belt	
14	belt catcher plate	
15	belt catcher plate connecting board	
16	hexagon socket head cap screw	M4x10
17	hexagon socket head cap screw	M6x12
18	Y-axis feed plate	
19	tension supporting base B	
20	tension side timing pulley	
21	tension spacer	
22	tension pulley shaft	
23	hexagon nut	M6

No	Description	Remarks
24	tension stud	
25	shaft	
26	bearing case A	
27	bearing bushing	
28	driving pulley	
29	hexagon socket head cap screw	
30	bearing case C	
31	limit switch dog	
32	spring washer	
33	plain washer	
34	limit switch base(rear)	
35	cross truss head screw	
36	hexagon nut	
37	limit switch	
38	limit switch base bracket	
39	plain washer	
40	spring washer	
41	hexagon socket head cap screw	
42	hexagon socket head cap screw	
43	hexagon stud	
44	hexagon socket head cap screw	
45	bearing case bracket C	
46	hexagon socket head cap screw	





CAP FRAME A

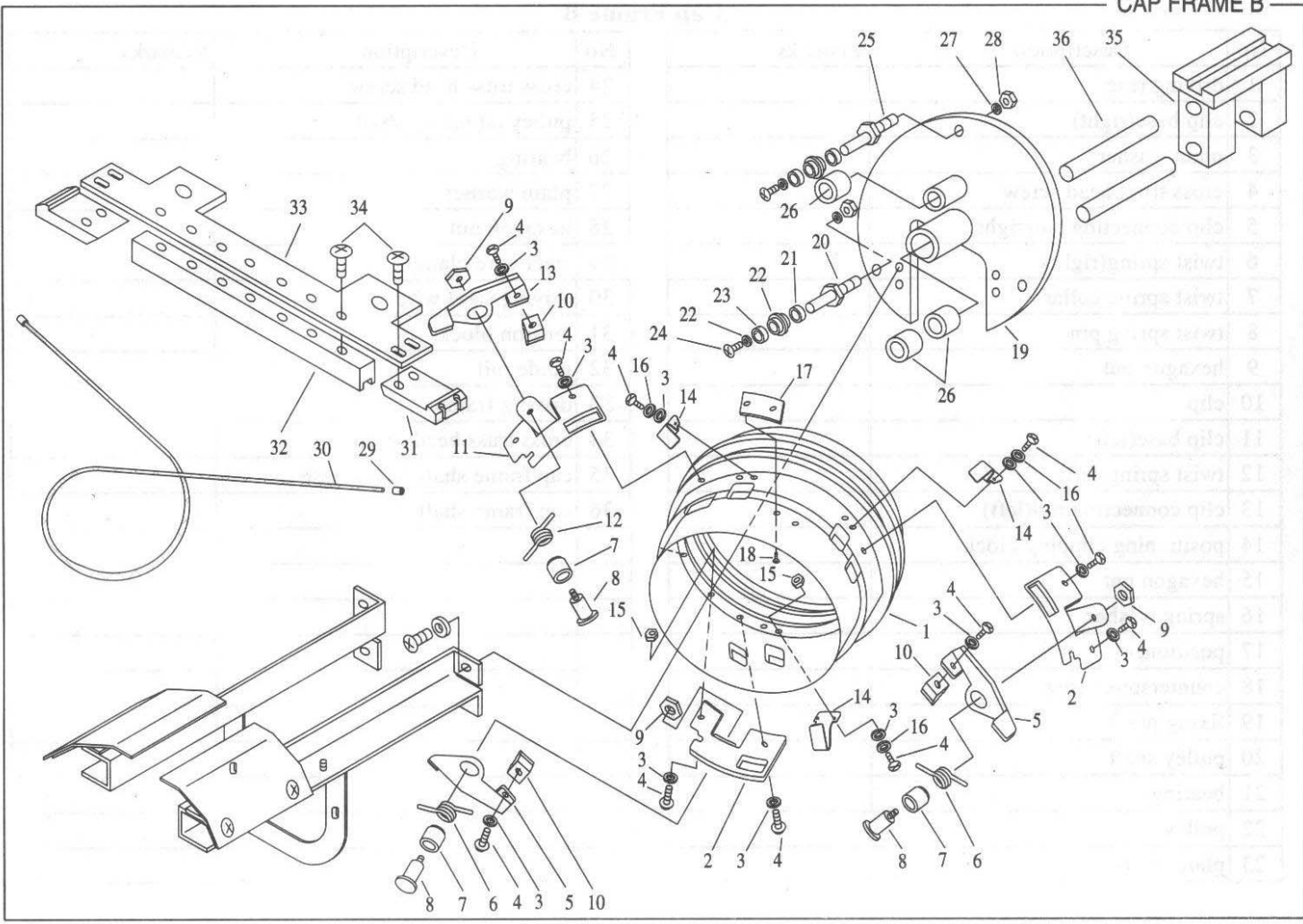


### Cap Frame A

No	Description	Remarks
1	driving ring	
2	clip base(right)	
3	plain washer	
4	cross truss head screw	
5	clip connecting rod(right)	
6	twist spring(right)	
7	twist spring collar	
8	twist spring pin	
9	hexagon nut	
10	clip	
11	clip base(left)	
12	twist spring(left)	
13	clip connecting rod(left)	
14	positioning clipping block	
15	hexagon nut	
16	spring washer	
17	positioner	
18	fixing plate	
19	pulley shaft	
20	bearing	
21	pulley shaft	
22	plain washer	
23	cross truss head screw	
24	plain washer	

No	Description	Remarks
25	hexagon nut	
26	plain washer	
27	hexagon socket head cap screw	
28	suspender screw	
29	bracket A	
30	pad connecting board	
31	pad	
32	bracket B	
33	supporting board	
34	countersunk head screw	
35	pulley adjusting shaft	
36	driving board	
37	steel wire guide wheel	
38	driving frame support board	
39	driving steel wire	
40	fixing nut	
41	fixing washer	
42	fixing washer A	
43	hexagon nut	
44	tension screw	
45	cross truss head screw	
46	cap frame driving joint	
47	tension screw	
48	suspender bracket	

CAP FRAME B

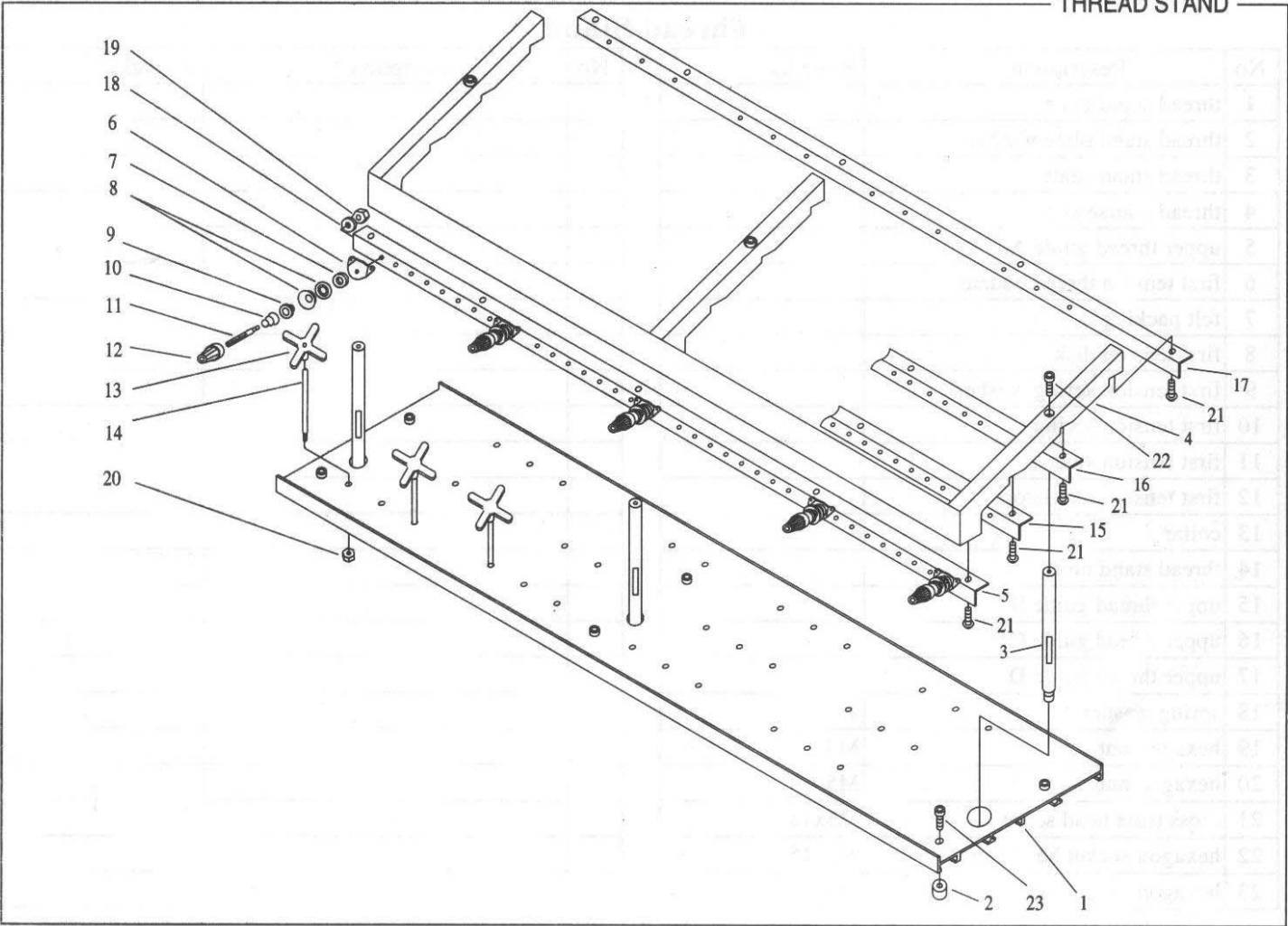


**Cap Frame B**

No	Description	Remarks
1	driving ring	
2	clip base(right)	
3	plain washer	
4	cross truss head screw	
5	clip connecting bar(right)	
6	twist spring(right)	
7	twist spring collar	
8	twist spring pin	
9	hexagon nut	
10	clip	
11	clip base(left)	
12	twist spring(left)	
13	clip connecting rod(left)	
14	positioning clipping block	
15	hexagon nut	
16	spring washer	
17	positioner	
18	countersunk screw	
19	fixing plate	
20	pulley shaft	
21	bearing	
22	pulley	
23	plain washer	

No	Description	Remarks
24	cross truss head screw	
25	pulley adjusting shaft	
26	bearing	
27	plain washer	
28	hexagon nut	
29	steel wire clamp	
30	driving steel wire	
31	tension block	
32	guide rail	
33	driving frame	
34	cross truss head screw	
35	cap frame shaft fixing base	
36	cap frame shaft	

THREAD STAND

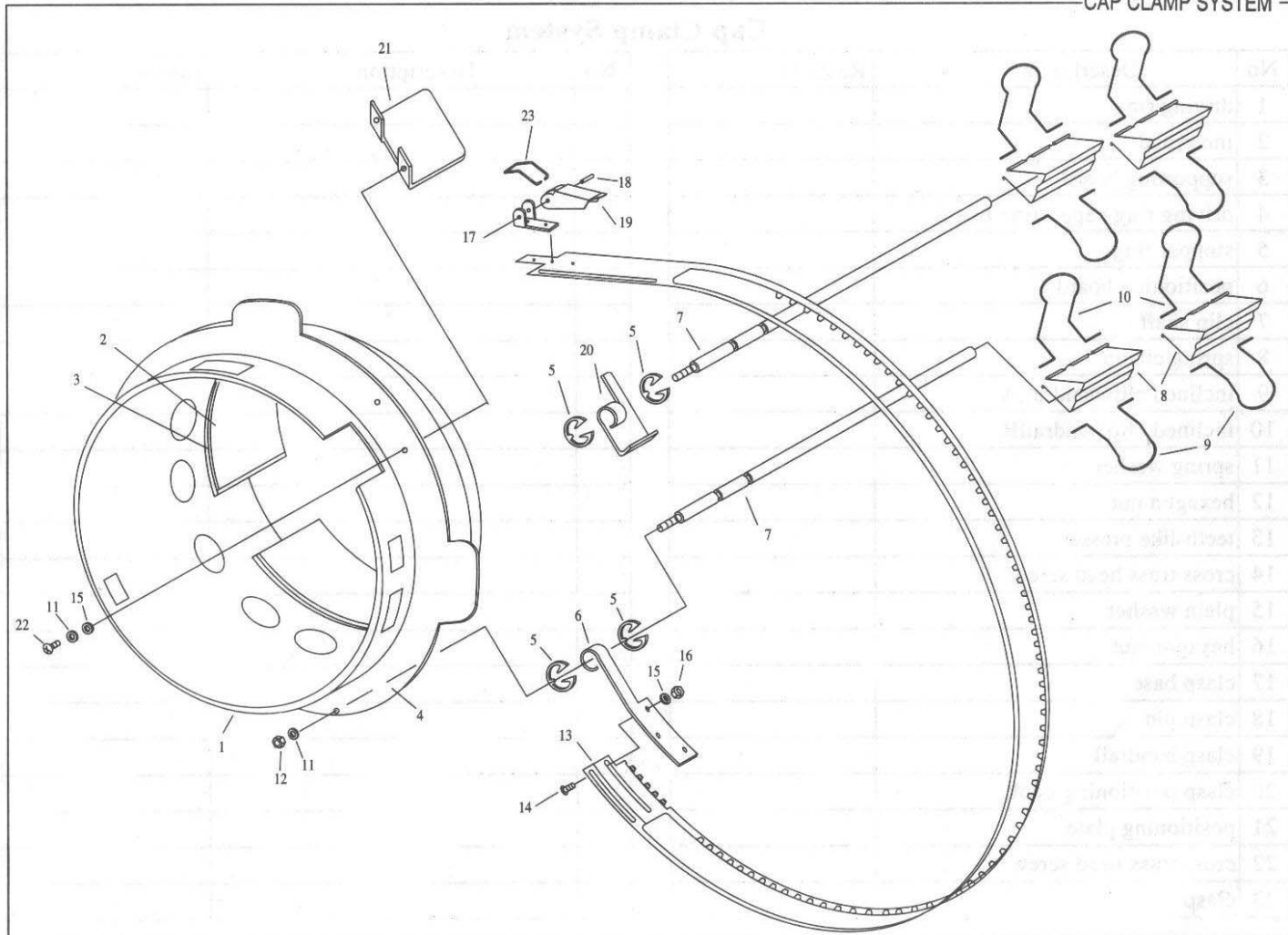


### Thread Stand

No	Description	Remarks
1	thread stand plate	
2	thread stand plate washer	
3	thread stand shaft	
4	thread course stay	
5	upper thread guide A	
6	first tension thread course	
7	felt packing	
8	first tension disk	
9	first tension spring washer	
10	first tension spring	
11	first tension stud	
12	first tension regulator	
13	collar	
14	thread stand unit	
15	upper thread guide B	
16	upper thread guide C	
17	upper thread guide D	
18	spring washer	4
19	hexagon nut	M4
20	hexagon nut	M5
21	cross truss head screw	M5x15
22	hexagon socket head cap screw	M5x15
23	hexagon socket head cap screw	M6x30

No	Description	Remarks

CAP CLAMP SYSTEM



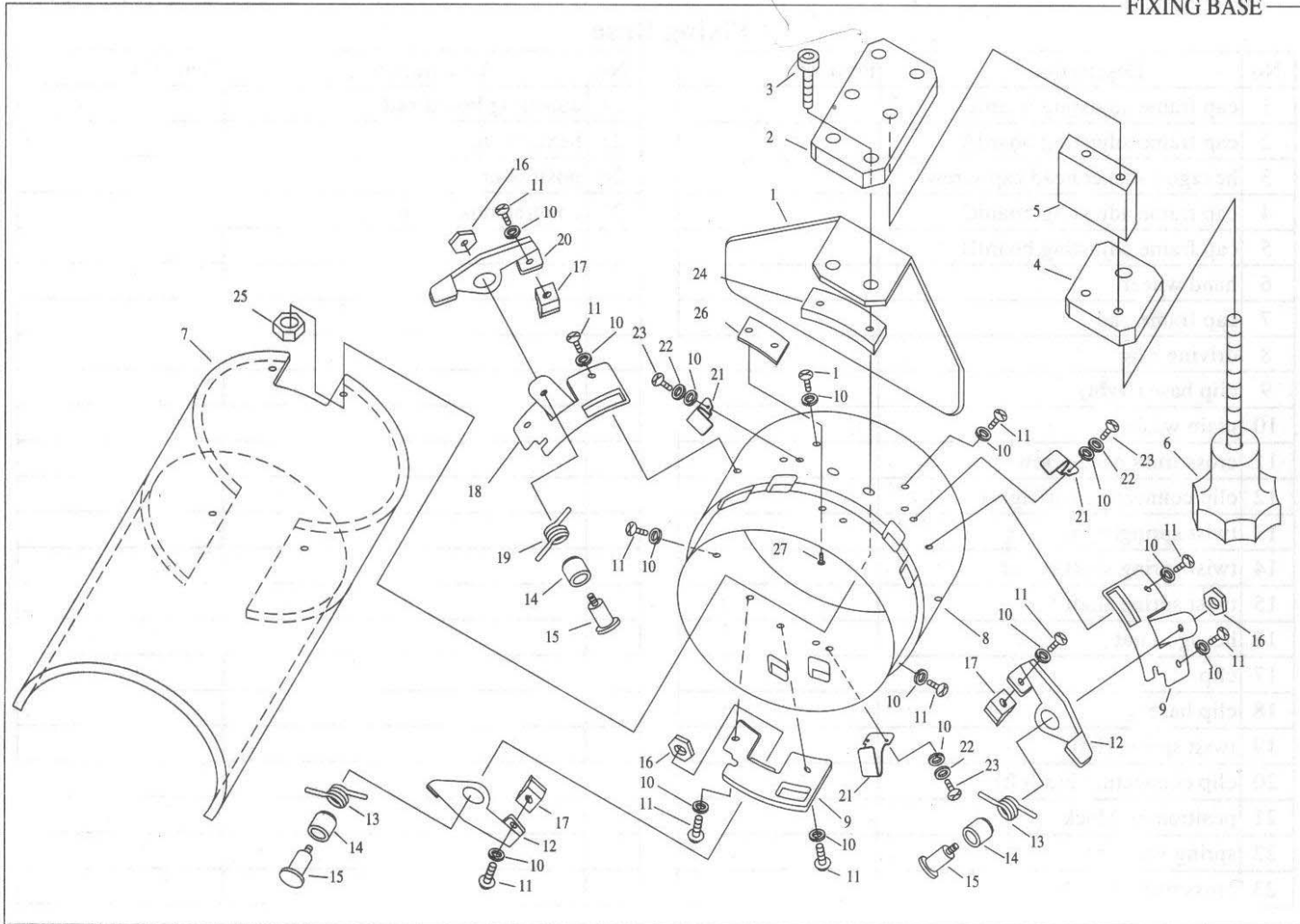
### Cap Clamp System

No	Description	Remarks
1	driving ring	
2	inner pad	
3	supporting board	
4	driving ring supporting board	
5	stopper ring	
6	positioning board	
7	clip shaft	
8	spring clamp	
9	inclined clip handrailA	
10	inclined clip handrailB	
11	spring washer	
12	hexagon nut	
13	teeth-like presser	
14	cross truss head screw	
15	plain washer	
16	hexagon nut	
17	clasp base	
18	clasp pin	
19	clasp handrail	
20	clasp positioning hook	
21	positioning plate	
22	cross truss head screw	
23	clasp	

No	Description	Remarks



FIXING BASE

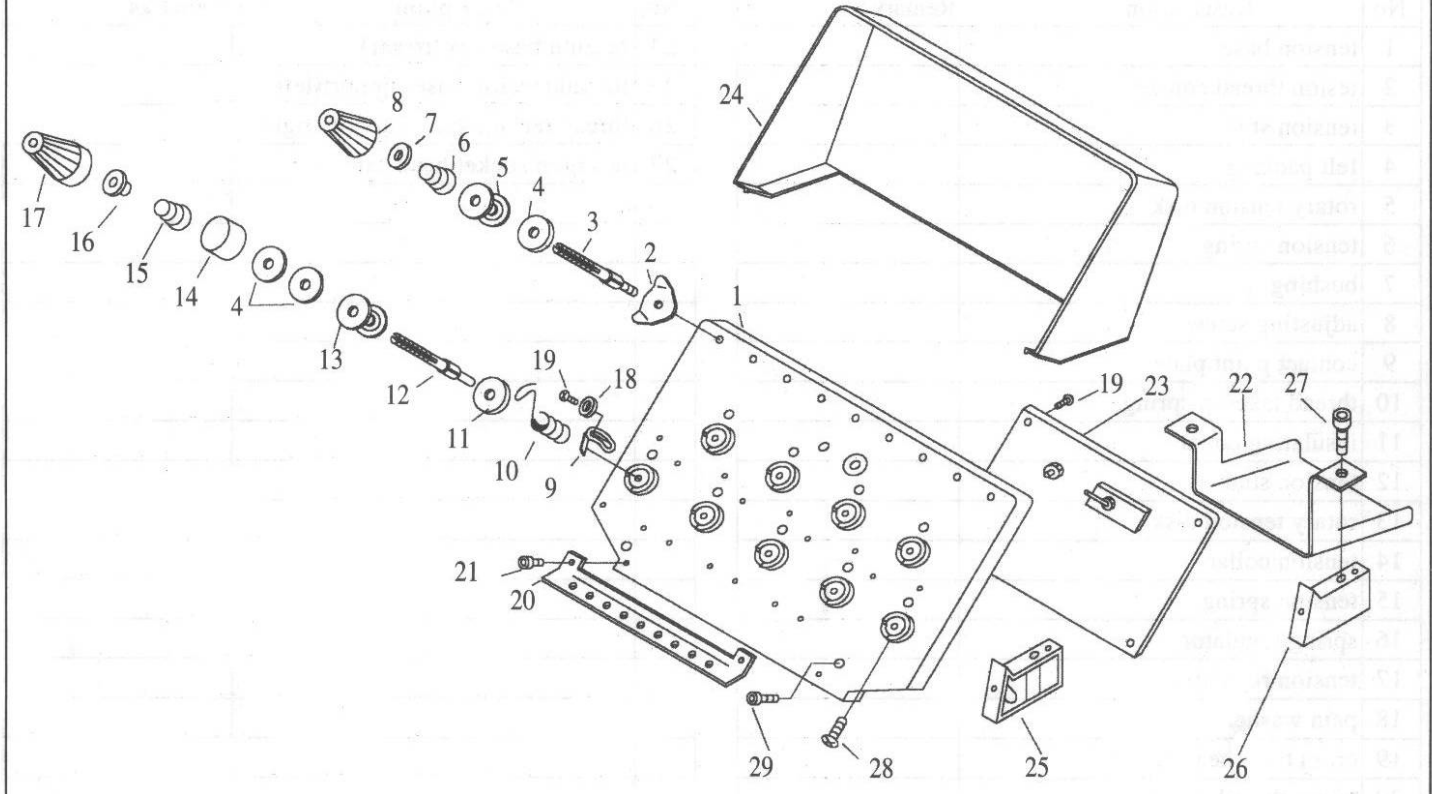


### Fixing Base

No	Description	Remarks
1	cap frame adjusting boardD	
2	cap frame adjusting boardA	
3	hexagon socket head cap screw	
4	cap frame adjusting boardC	
5	cap frame adjusting boardB	
6	hand wheel	
7	cap frame pad	
8	driving ring	
9	clip base (right)	
10	plain washer	
11	cross truss head screw	
12	clip connecting bar(right)	
13	twist spring(right)	
14	twist spring shaft collar	
15	twist spring shaft	
16	hexagon nut	
17	clip	
18	clip base	
19	twist spring (left)	
20	clip connecting bar(left)	
21	positioning block	
22	spring washer	
23	cross truss head screw	

No	Description	Remarks
24	adjusting board pad	
25	hexagon nut	
26	positioner	
27	countersunk screw	

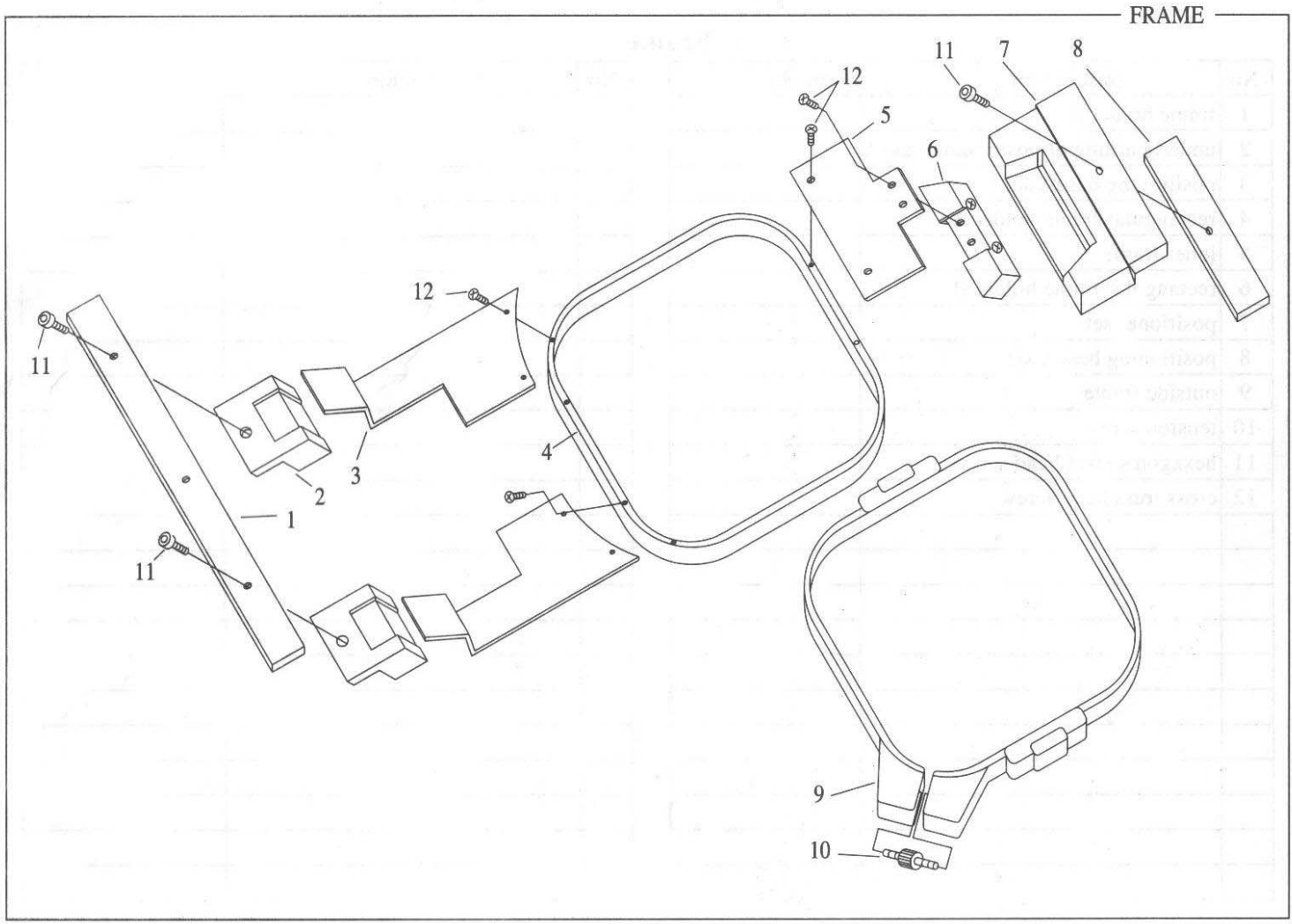
THREAD TENSION PLATE



### Thread Tension Plate

No	Description	Remarks
1	tension base	
2	tension thread course	
3	tension stud	
4	felt packing	
5	rotary tension disk	
6	tension spring	
7	bushing	
8	adjusting screw	
9	contact point plate	
10	thread take-up spring	
11	insulating collar	
12	tension stud	
13	rotary tension disk	
14	tension collar	
15	tension spring	
16	spring regulator	
17	tension regulator	
18	plain washer	
19	cross truss head screw	
20	upper thread guide	
21	cross truss head screw	
22	cord support cover	
23	thread breakage detecting board	

No	Description	Remarks
24	tension base cover(rear)	
25	thread tension base support(left)	
26	thread tension base support(right)	
27	hexagon socket head cap screw	

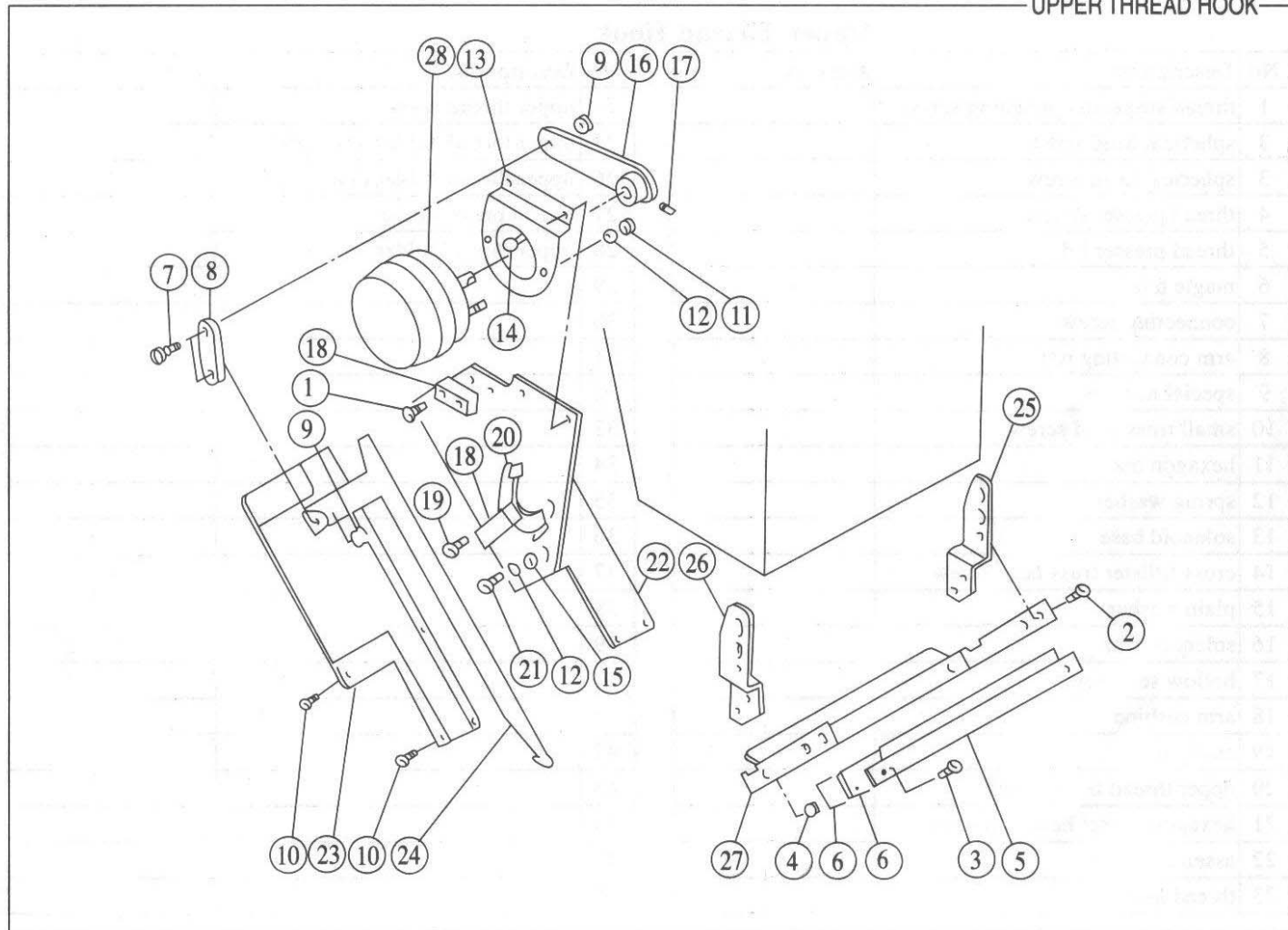


### Frame

No	Description	Remarks
1	frame holder B	
2	underboarding of positioning baseA	
3	positioning baseA set	
4	rectangular frame holder A	
5	inner frame	
6	rectangular frame holder B	
7	positioner set	
8	positioning baseA set	
9	outside frame	
10	tension screw	
11	hexagon socket head screw	
12	cross truss head screw	

No	Description	Remarks

UPPER THREAD HOOK



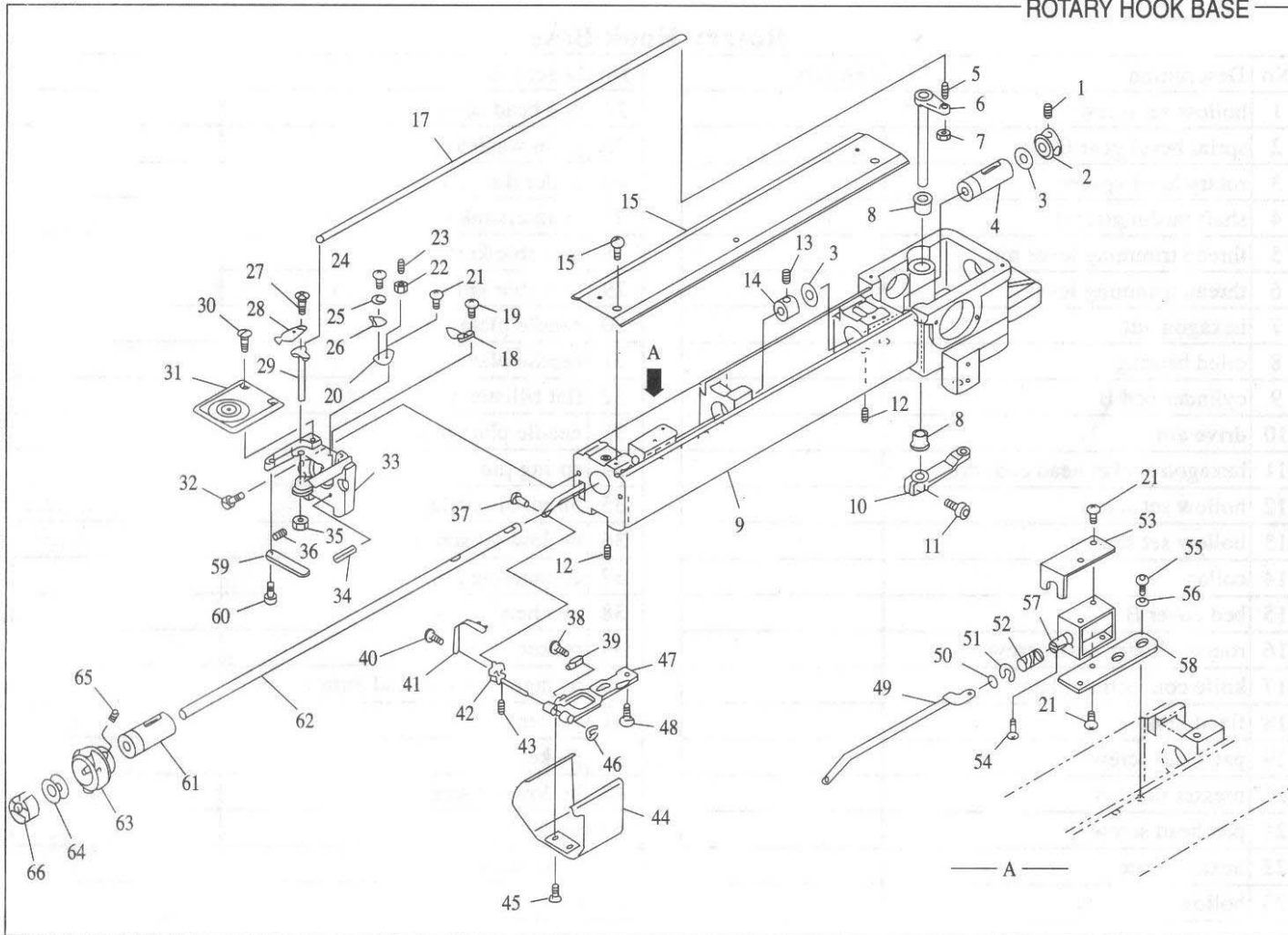
### Upper Thread Hook

No	Description	Remarks
1	thread suspender attaching screw	
2	spherical head screw	
3	spherical head screw	
4	thread presser spacer	
5	thread presser lid	
6	magic tape	
7	connecting screw	
8	arm connecting rod	
9	special nut	
10	small truss head screw	
11	hexagon nut	
12	spring washer	
13	solenoid base	
14	cross fillister truss head screw	
15	plain washer	
16	solenoid arm	
17	hollow set screw	
18	arm cushion	
19	cushion pin	
20	upper thread hook clutch	
21	hexagon socket head cap screw	
22	assembly base	
23	thread hook lid	

No	Description	Remarks
24	upper thread hook	
25	upper thread holder bracket R	
26	upper thread holder bracket L	
27	thread presser base	
28	upper thread holder solenoid	
29		
30		
31		
32		
33		
34		
35		
36		
37		
38		
39		
40		
41		
42		
43		
44		
45		
46		



ROTARY HOOK BASE



### Rotary Hook Base

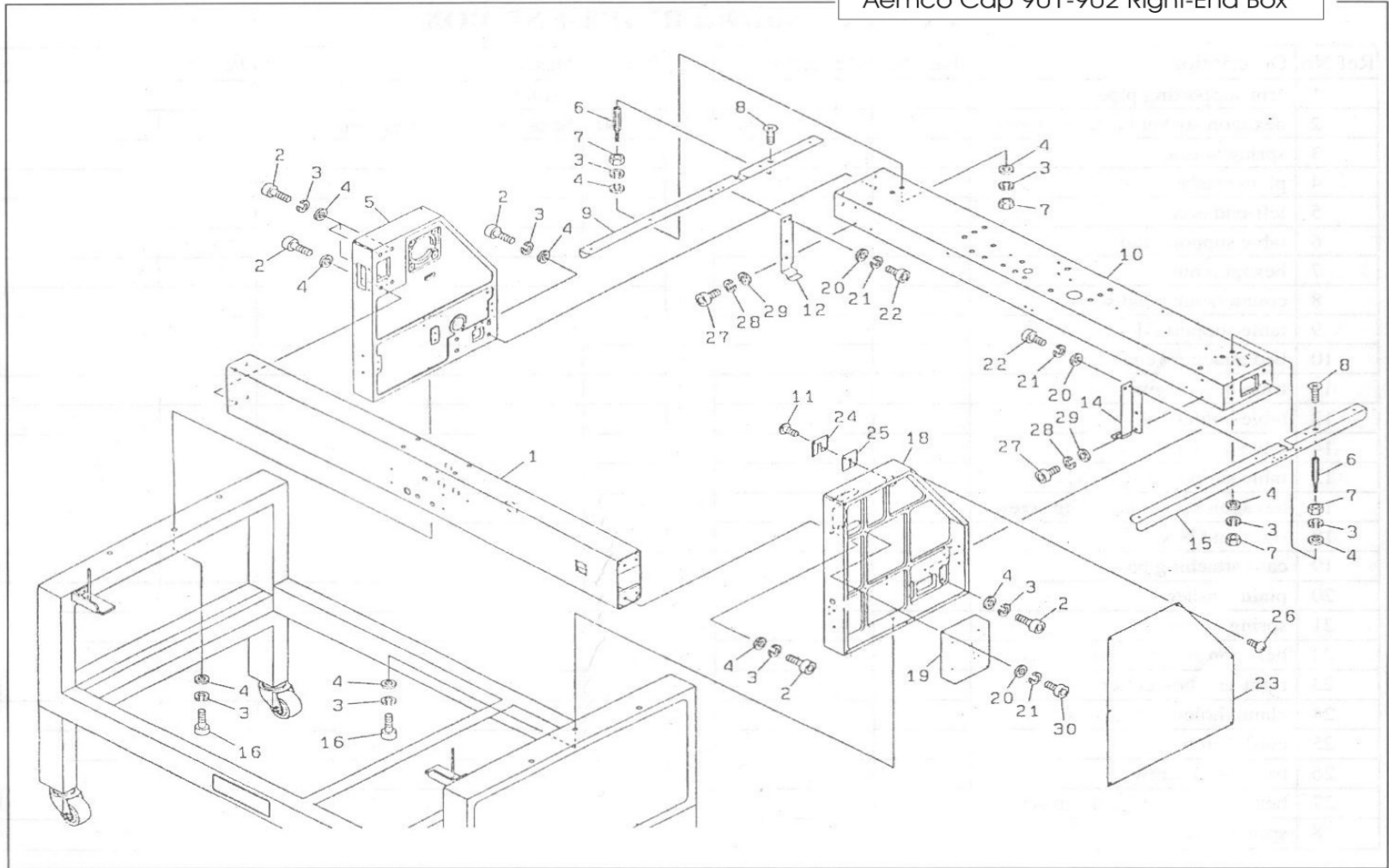
No	Description	Remarks
1	hollow set screw	
2	sprial bevel gear B	
3	rotary hook spacer	
4	shaft bushing(rear)	
5	thread trimming lever pin	
6	thread trimming lever	
7	hexagon nut	
8	oiled bearing	
9	cylinder bed B	
10	drive arm	
11	hexagon socket head cap screw	
12	hollow set screw	
13	hollow set screw	
14	collar	
15	bed cover B	
16	round fillister head screw	
17	knife connecting plate	
18	fixed knife	
19	pan bead screw	
20	presser bracket	
21	pan head screw	
22	hexagon nut	
23	hollow set screw	

No	Description	Remarks
24	pan head screw	
25	plain washer	
26	under thread presser	
27	countersunk head screw	
28	movable knife	
29	movable knife drive arm	
30	needle plate set screw	
31	needle plate	
32	flat fillister head screw	
33	needle plate bracket	
34	spring pin	
35	5mm. dia collar	
36	hollow set screw	
37	connecting pin	
38	pan head screw	
39	picker stopper	
40	hexagon socket head button screw	
41	picker	
42	picker base	
43	hollow set screw	
44	rotary hook base cover	
45	truss head screw	
46	E-ring	

### Rotary Hook Base

47	picker bracket	Remarks	
48	flat fillister head screw		
49	connecting plate		
50	needle bar O-ring		
51	E-ring		
52	compressed spring		
53	solenoid pin		
54	hexagon socket head cap screw		
55	plain washer		
56	solenoid washer		
57	solenoid		
58	piker solenoid base		
59	rotary hook support		
60	rotary hook support set screw		
61	rotary hook shaft bushing		
62	rotary hook shaft		
63	rotary hook		
64	bobbin		
65	rotary hook set screw		
66	bobbin case		
67			
68			

Aemco Cap 901-902 Right-End Box

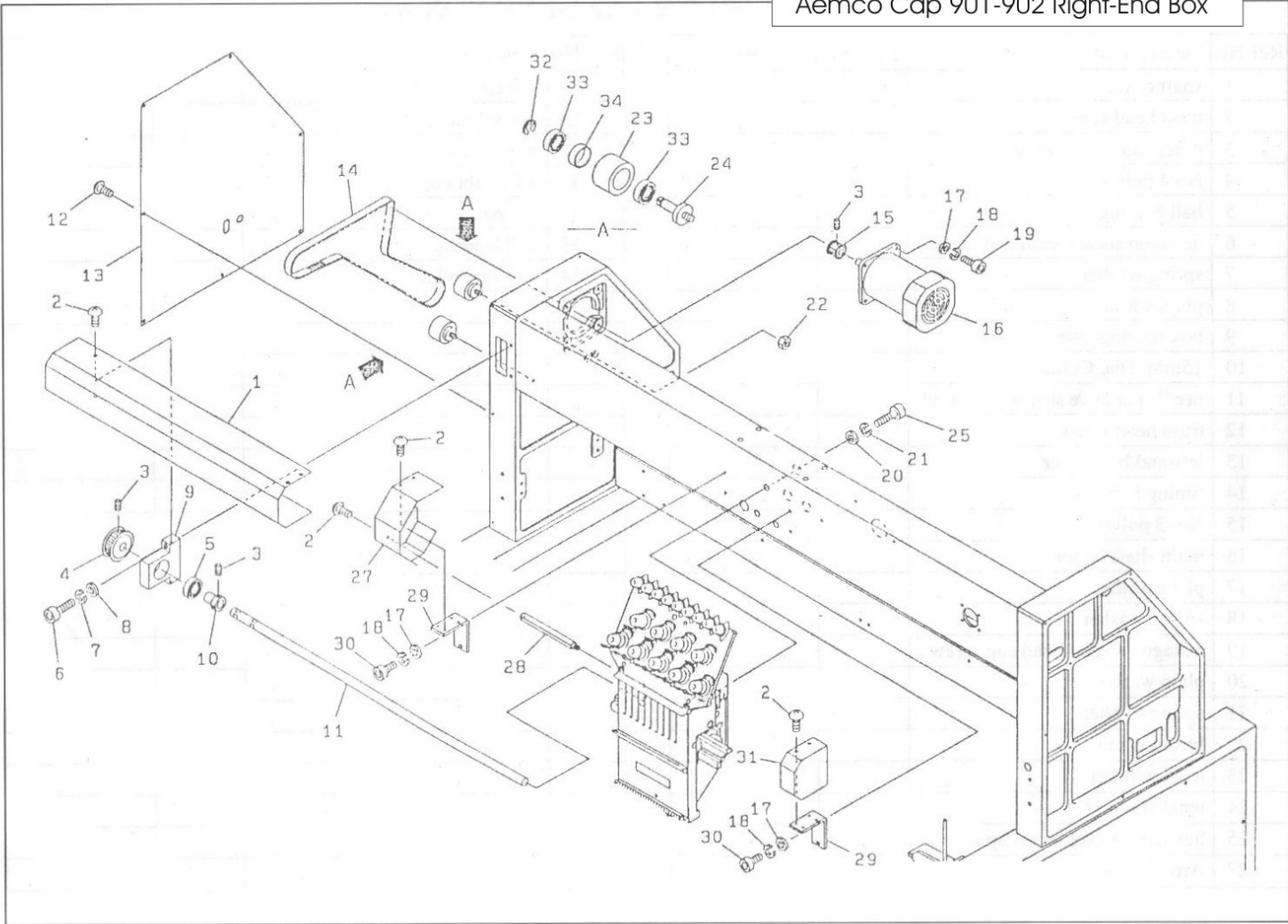


Aemco Cap 901-902 Right-End Box

Ref No	Description	Part No	Remarks
1	arm supporting pipe		
2	hexagon socket head cap screw		
3	spring washer		
4	plain washer		
5	left-end box		
6	table support stud		
7	hexagon nut		
8	countersunk head screw		
9	table support AL		
10	bed attaching channel		
11	truss head screw		
12	table holder BR		
14	table holder BL		
15	table support AR		
16	hexagon socket head cap screw		
18	right-end box		
19	card attaching base		
20	plain washer		
21	spring washer		
22	hexagon socket head cap screw		
23	right-end box cover		
24	clamp holder		
25	cord clamp		
26	truss head screw		
27	hexagon socket head cap screw		
28	spring washer		

Ref No	Description	Part No	Remarks
29	plain washer		
30	hexagon socket head cap screw		

Aemco Cap 901-902 Right-End Box

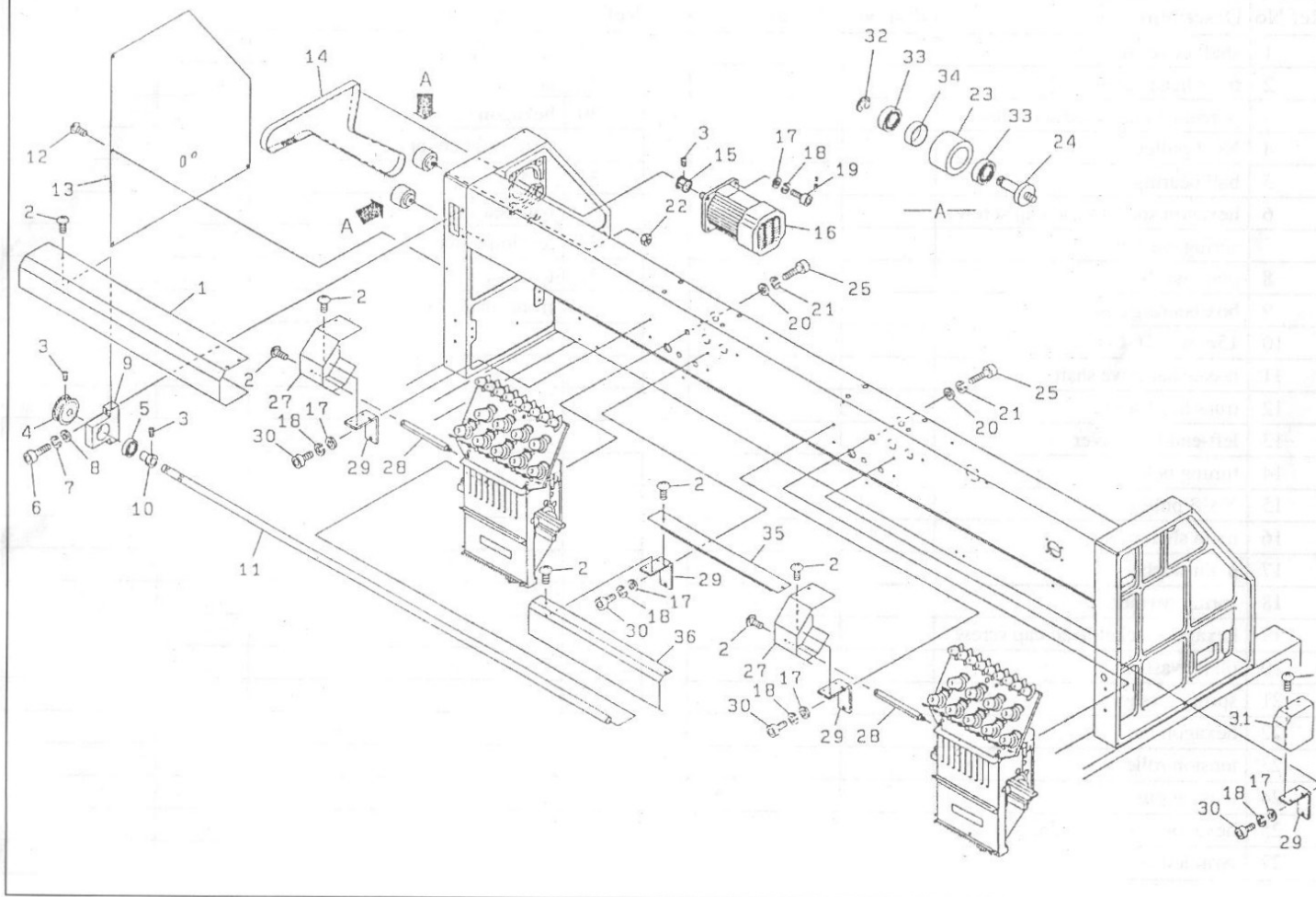


Aemco Cap 901-902 Right-End Box

Ref No	Description	Part No	Remarks
1	shaft cover A		
2	truss head screw		
3	porcelain enameled set screw		
4	No.4 pulley		
5	ball bearing		
6	hexagon socket head cap screw		
7	spring washer		
8	plain washer		
9	box bearing case		
10	15mm. Dia. Collar		
11	needle bar drive shaft(single head)		
12	truss head screw		
13	left-end box cover		
14	timing belt		
15	No. 3 pulley		
16	main shaft motor		
17	plain washer		
18	spring washer		
19	hexagon socket head cap screw		
20	plain washer		
21	spring washer		
22	hexagon nut		
23	tension roller		
24	tension pin		
25	hexagon socket head cap screw		
27	Arm left cover		

Ref No	Description	Part No	Remarks
28	left cover stud		
29	cover bracket		
30	hexagon socket head cap screw		
31	arm.right cover		
32	E-ring		
33	ball bearing		
34	tension collar		

Aemco Cap 901-902 left-End Box 2 head

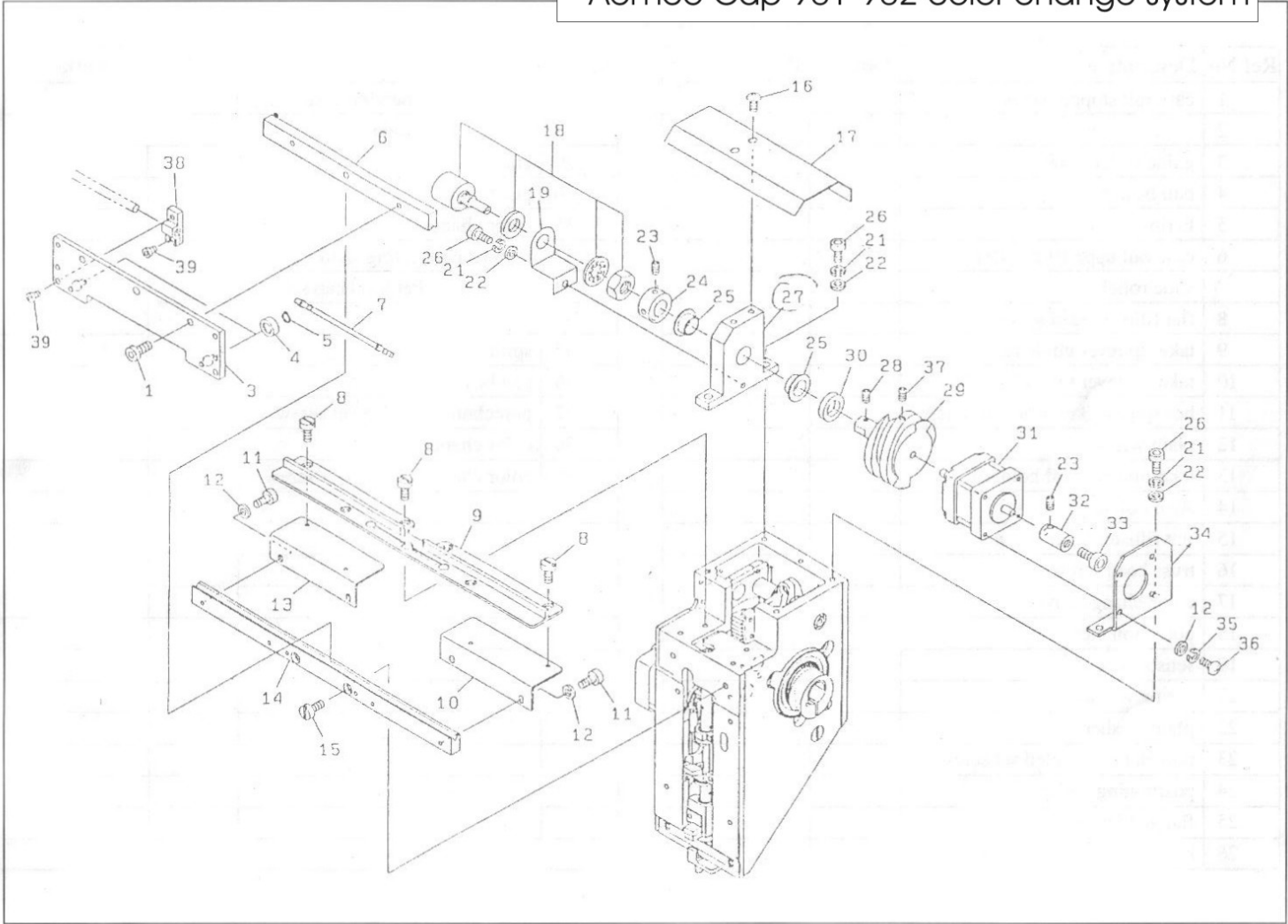




## Aemco Cap 901-902 left-End Box 2 head

Ref No	Description	Part No	Remarks	Ref No	Description	Part No	Remarks
1	shaft cover A			28	left cover stud		
2	truss head screw			29	cover bracket		
3	porcelain enameled set screw			30	hexagon socket head cap screw		
4	No.4 pulley			31	Arm right cover		
5	ball bearing			32	E-ring		
6	hexagon socket head cap screw			33	ball bearing		
7	spring washer			34	tension collar		
8	plain washer			35	top shaft cover		
9	box bearing case			36	front shaft cover		
10	15mm. Dia. Collar						
11	needle bar drive shaft						
12	truss head screw						
13	left-end box cover						
14	timing belt						
15	No. 3 pulley						
16	main shaft motor						
17	plain washer						
18	spring washer						
19	hexagon socket head cap screw						
20	plain washer						
21	spring washer						
22	hexagon nut						
23	tension roller						
24	tension pin						
25	hexagon socket head cap screw						
27	Arm left cover						

Aemco Cap 901-902 color change system

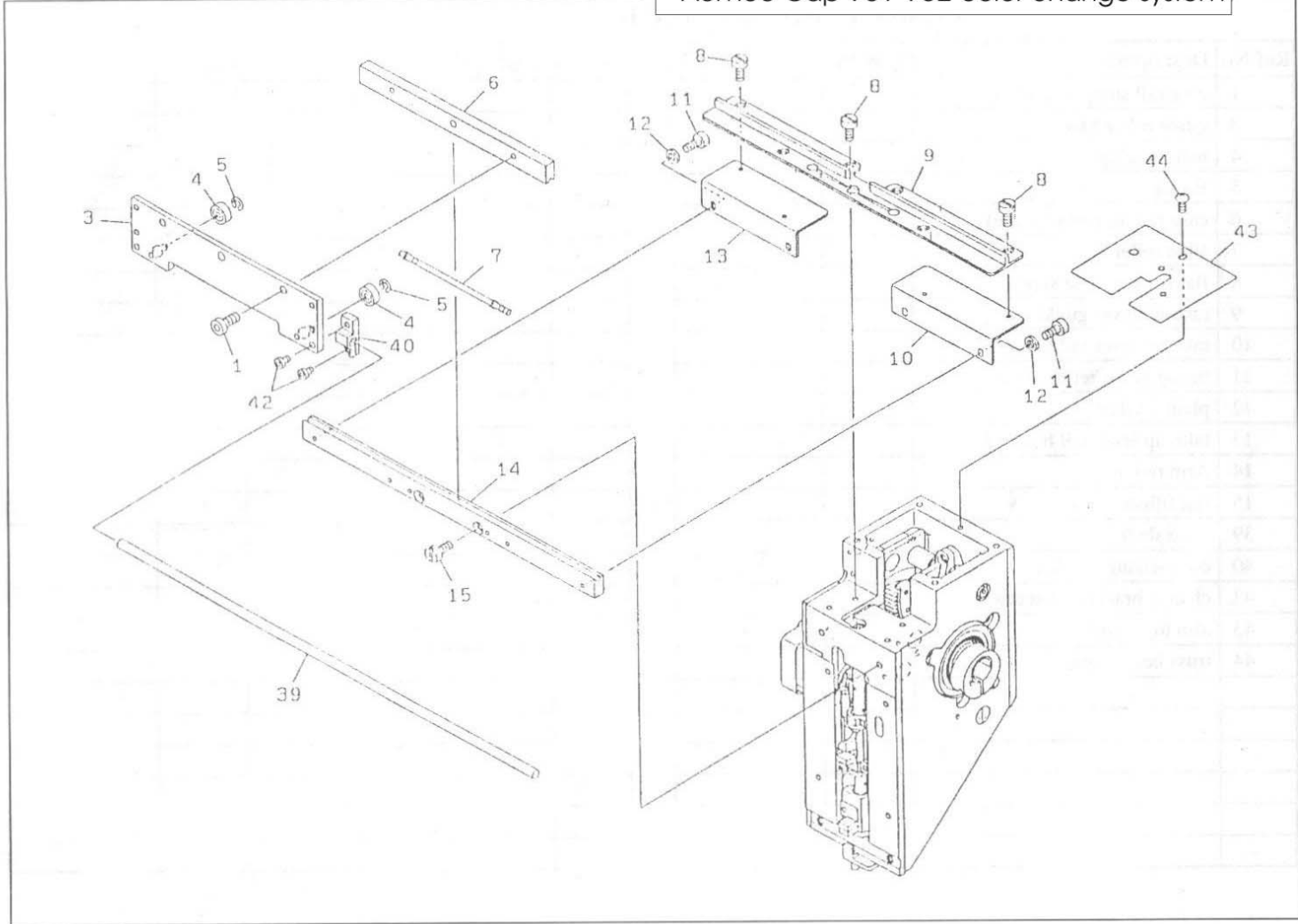


### Aemco Cap 901-902 color change system

Ref No	Description	Part No	Remarks
1	case rail stopper screw		
2			
3	guide roller base		
4	ball bearing		
5	E-ring		
6	case rail upper(9-needle)		
7	slide roller		
8	flat fillister head screw		
9	take-up lever guide rail		
10	take-up lever rail holder R		
11	hexagon socket head cap screw		
12	plain washer		
13	take-up lever rail holder L		
14	Arm rail, upper		
15	flat fillister head screw		
16	truss head screw		
17	color-change cover		
18	potentiometer		
19	sensor base		
21	spring washer		
22	plain washer		
23	porcelain enameled set screw		
24	positioning collar		
25	flanged DU bushing		
26	hexagon socket head cap screw		

Ref No	Description	Part No	Remarks
27	color-change bearing case		
28	porcelain enameled set screw		
29	color-change cam		
30	positioning spacer		
31	color change motor		
32	manual connecting shaft		
33	hexagon socket head cap screw		
34	motor attaching plate		
35	spring washer		
36	pan head screw		
37	porcelain enameled set screw		
38	color change bracket L		
39	color change bracket set screw		

Aemco Cap 901-902 color change system

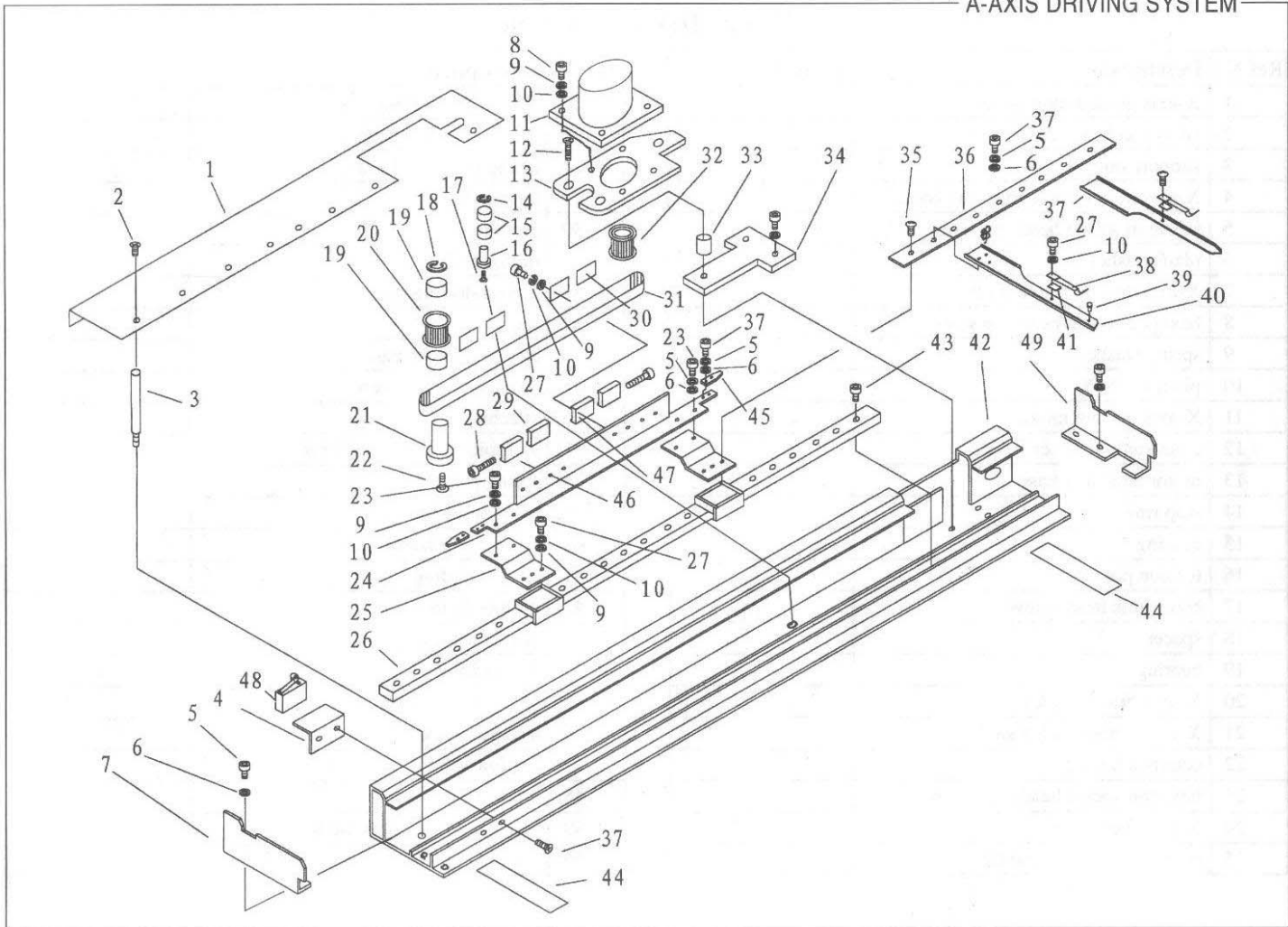


Aemco Cap 901-902 color change system

Ref No	Description	Part No	Remarks
1	case rail stopper screw		
3	guide roller base		
4	ball bearing		
5	E-ring		
6	case rail, upper(9 needle)		
7	slide roller		
8	flat fillister head screw		
9	take-up lever guide rail		
10	take-up lever rail holder R		
11	hexagon socket head cap screw		
12	plain washer		
13	take-up lever rail holder L		
14	Arm rail, upper		
15	flat fillister head screw		
39	slide shaft		
40	color-chang bracket R		
42	change bracket set screw		
43	arm top cover		
44	truss head screw		

Ref No	Description	Part No	Remarks

A-AXIS DRIVING SYSTEM

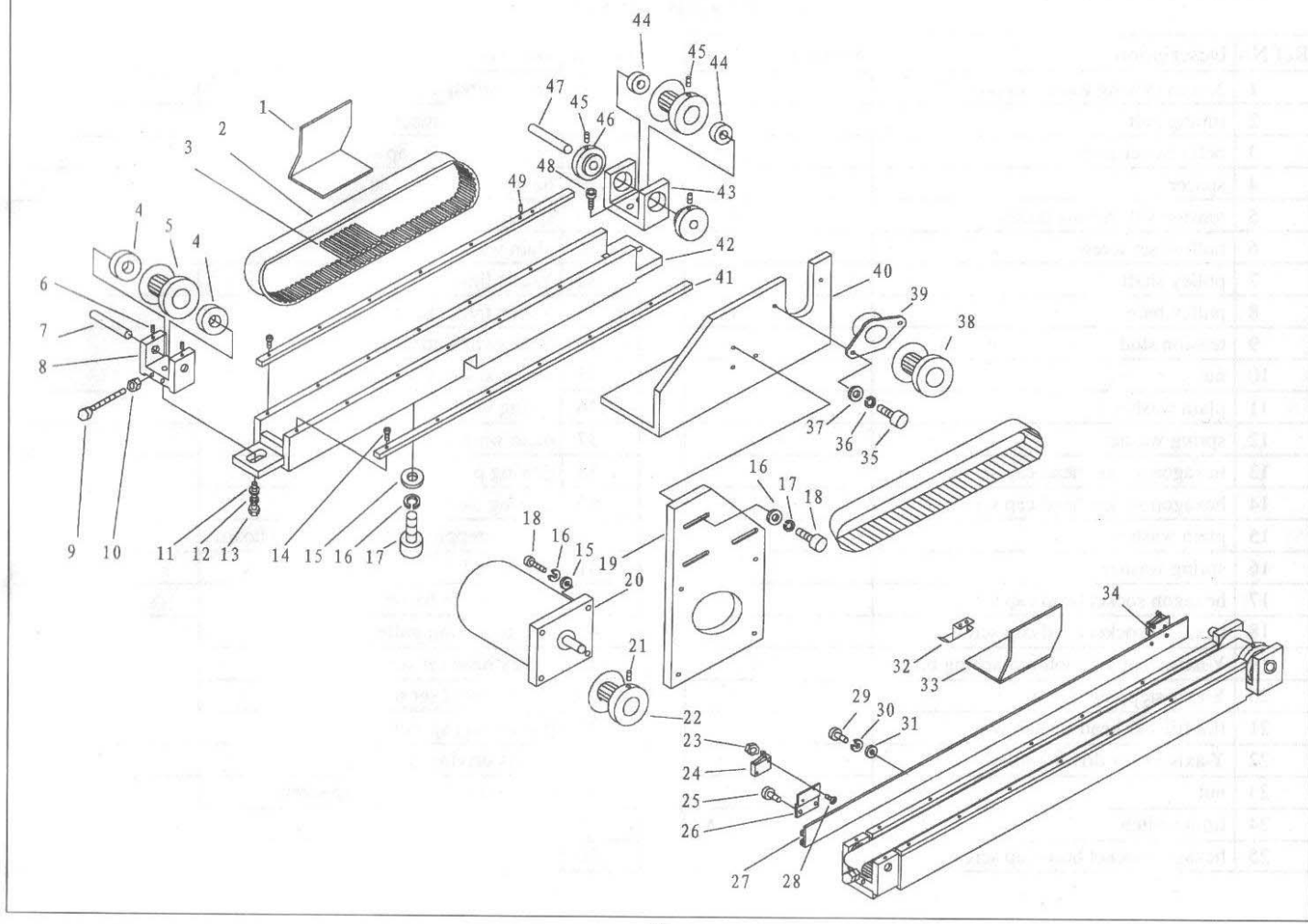


### X-axis Driving System

Ref No	Description	Remarks
1	X-axis guide frame cover	
2	cross pan head screw	
3	support stud	
4	X-axis limit switch attaching board	
5	hexagon socket head cap screw	
6	plain washer	
7	X-axis driving frame lid R	
8	hexagon socket head cap screw	
9	spring washer	
10	plain washer	
11	X-axis driving motor	
12	countsunk head screw	
13	motor attaching hase	
14	stop ring	
15	bearing	
16	tension pin	
17	countsunk head screw	
18	spacer	
19	bearing	
20	X-axis timing pulley	
21	X-axis timing pulley shaft	
22	countsunk head screw	
23	hexagon socket head cap screw	
24	X-axis feed plate	
25	embroidery frame jointer	

Ref No	Description	Remarks
26	X-axis driving rail	
27	hexagon socket head cap screw	
28	hexagon socket head cap screw	
29	tension block A	
30	pressboard	
31	timing belt	
32	X-axis driving pulley	
33	spacer	
34	stepping motor base	
35	cross pan head screw	
36	attaching board	
37	embroidery frame holder R	
38	spring presser	
39	positioning pin	
40	embroidery frame holder L	
41	underboarding	
42	driving frame	
43	hexagon socket head cap screw	
44	felt packing	
45	X-axis limit switch dog	
46	hexagon socket head cap screw	
47	tension block B	
48	limit switch	
49	X-axis driving frame lid R	
50		

A-AXIS DRIVING SYSTEM





### Y-axis Driving System

Ref No	Description	Remarks
1	X-axis driving frame supporter L	
2	timing belt	
3	belt catcher plate	
4	spacer	
5	tension side timing pulley	
6	hollow set screw	
7	pulley shaft	
8	pulley base	
9	tension stud	
10	nut	
11	plain washer	
12	spring washer	
13	hexagon socket head cap screw	
14	hexagon socket head cap screw	
15	plain washer	
16	spring washer	
17	hexagon socket head cap screw	
18	hexagon socket head cap screw	
19	Y-axis stepping motor attaching board	
20	Y-axis stepping motor	
21	flat fillister head set screw	
22	Y-axis motor driven pulley	
23	nut	
24	limit switch	
25	hexagon socket head cap screw	

Ref No	Description	Remarks
26	limit switch attaching bracket	
27	limit switch attaching board L	
28	cross pan head cap screw	
29	hexagon socket head cap screw	
30	spring washer	
31	plain washer	
32	Y-axis limit switch dog	
33	Y-axis frame guide supporter R	
34	limit switch attaching board R	
35	hexagon socket head cap screw	
36	spring washer	
37	plain washer	
38	driving pulley	
39	bearing case	
40	Y-axis stepping motor attaching board	
41	Y-axis rail	
42	Y-axis guide frame	
43	Y-axis driving pulley base	
44	pulley head set screw	
45	fillister head set screw	
46	positioning spacer	
47	Y-axis driving shaft	
48	hexagon socket head cap screw	
49	spring pin	
50		