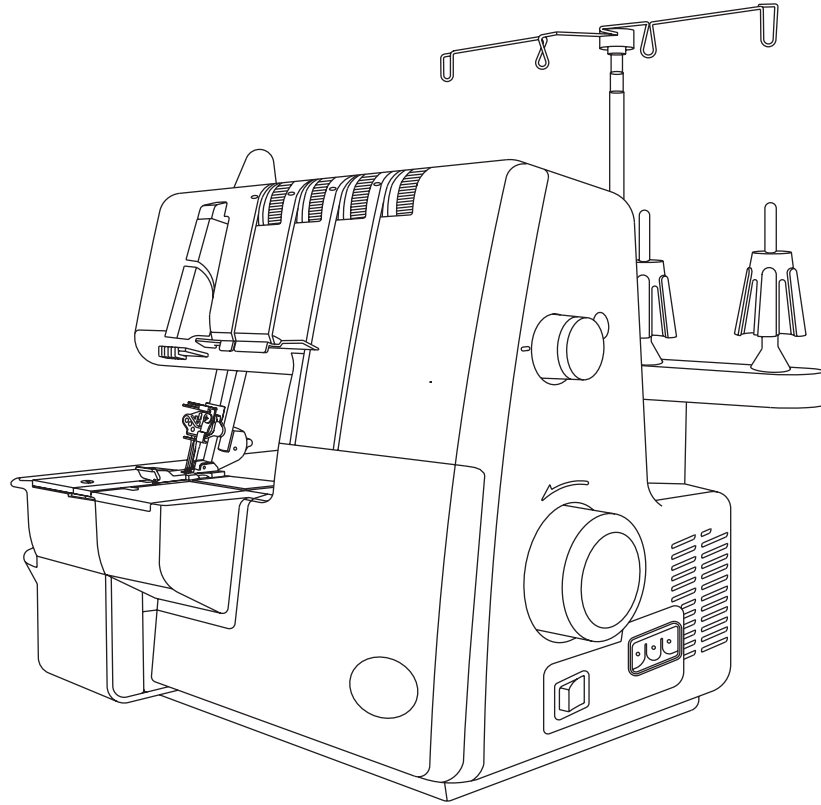
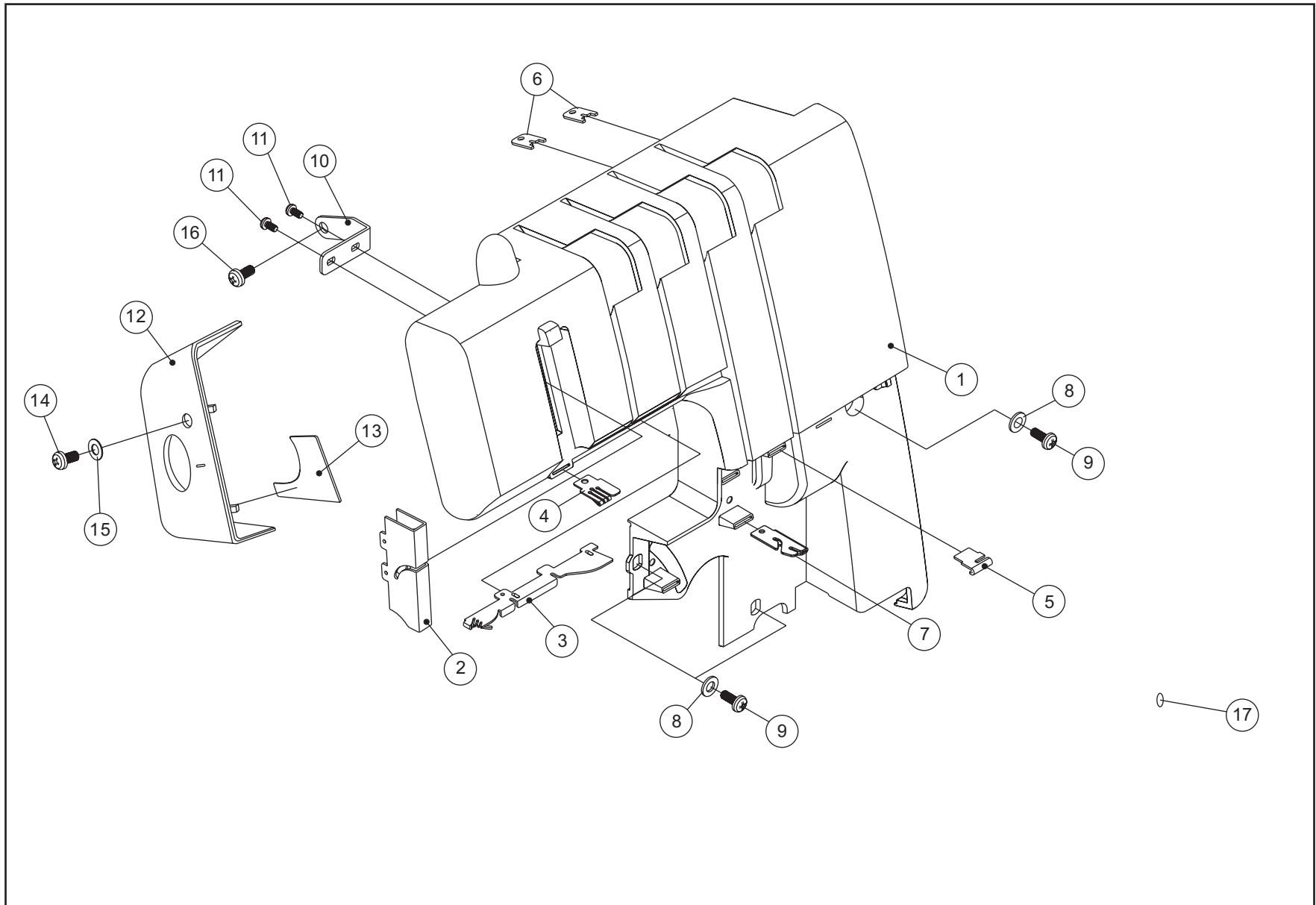


# Parts List



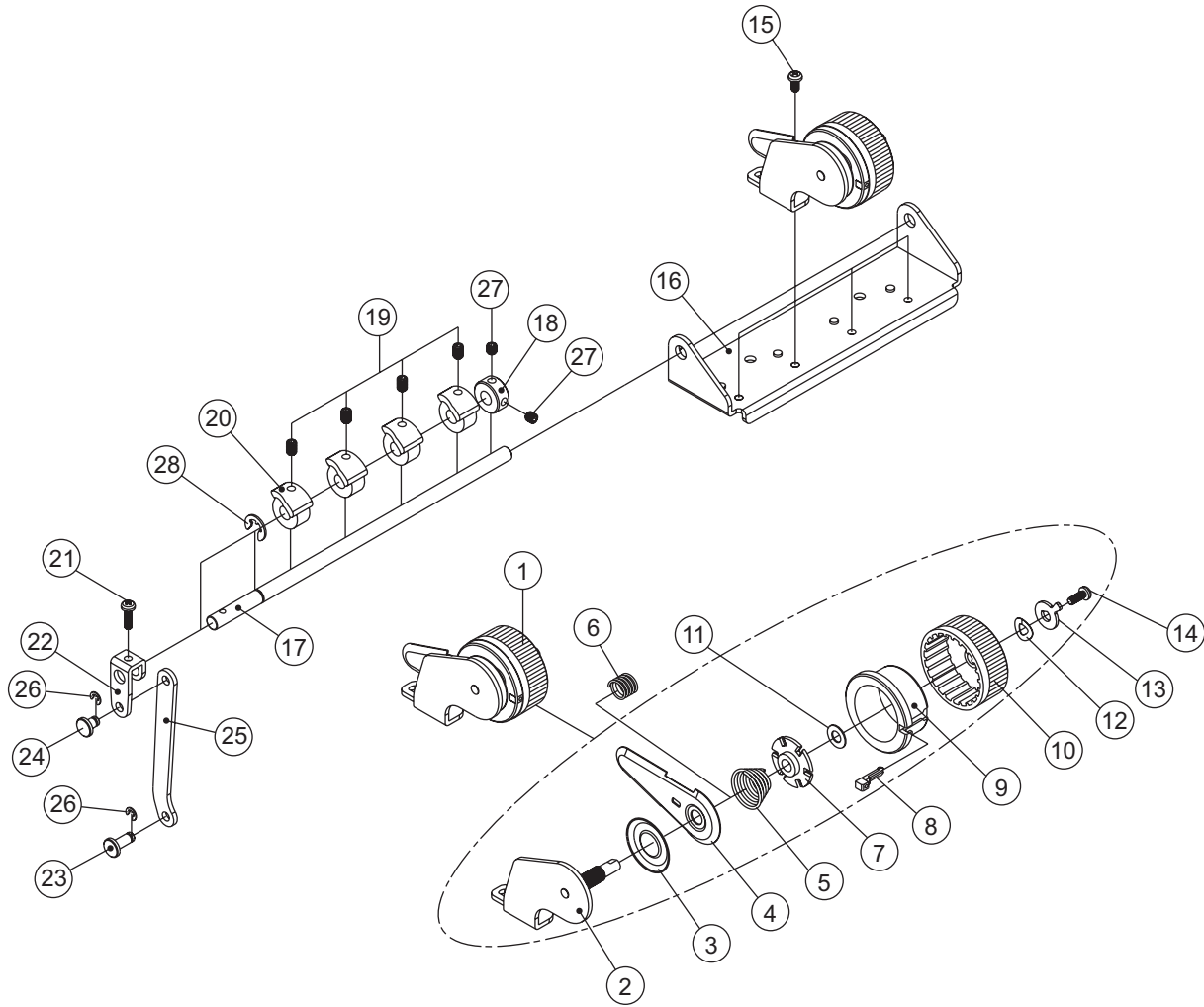
# CONTENTS

	<b>PAGES</b>
1. Front cover / Bulb cover.....	1 , 2
2. Tension dial / Auto release.....	3 , 4
3. Looper cover.....	5 , 6
4. Side cover / Base plate / Extension table / Back cover / Thread guide bar / Spool stand.....	7 , 8
5. Machine frame / Stitch plate.....	9,10
6. Handle holder.....	11,12
7. Main shaft.....	13,14
8. Needle bar connecting arm.....	15,16
9. Handwheel / Stitch length dial.....	17,18
10. Needle bar / Presser bar / Presser foot.....	19,20
11. Differential feed.....	21,22
12. Feed dog.....	23,24
13. Cover stitch looper / Auto threader.....	25,26
14. Electronic parts.....	27,28
15. Accessories.....	29,30



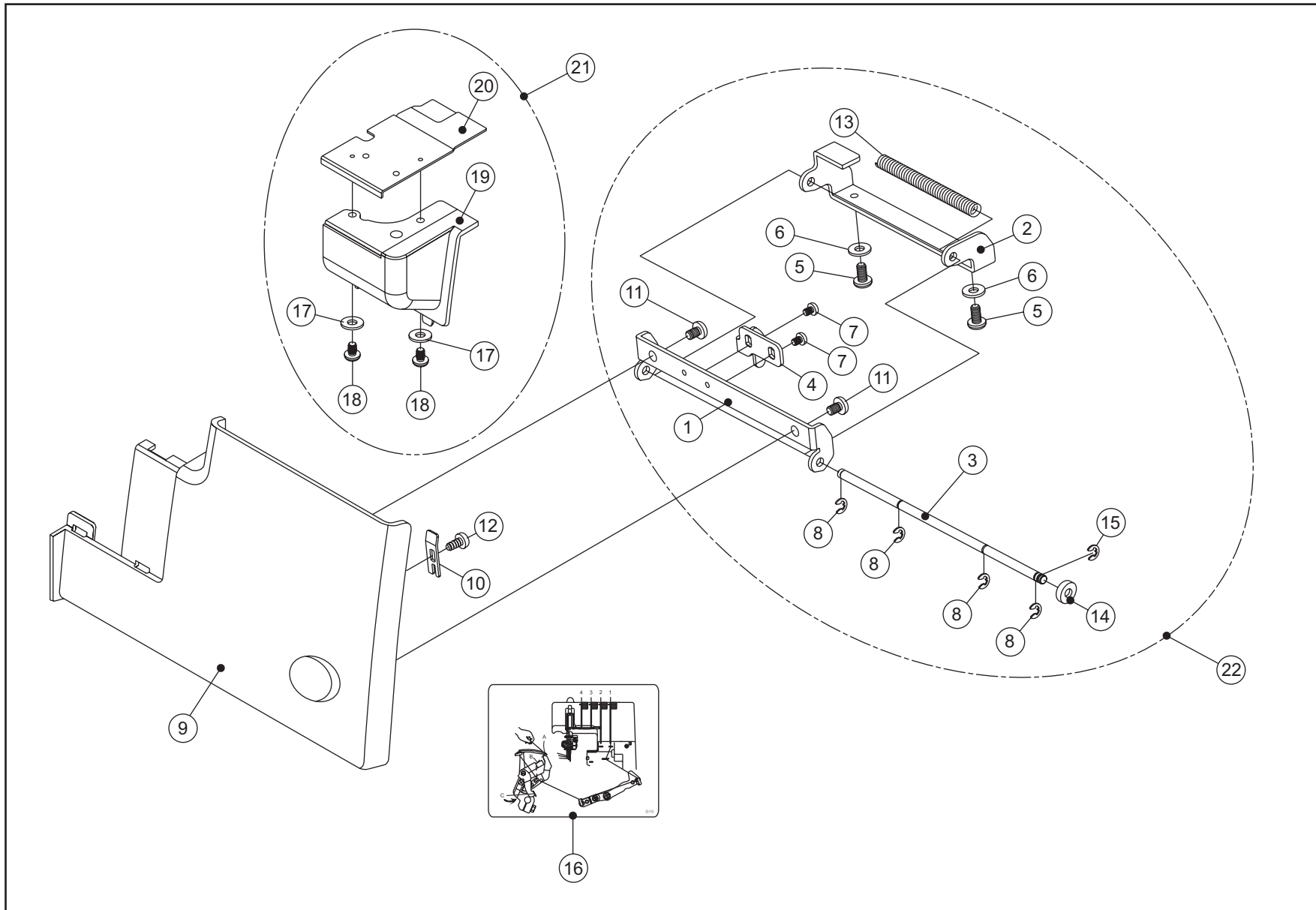
# 1. Front cover / Bulb cover

<u>No.</u>	<u>Parts No.</u>	<u>Parts Name</u>
1	G4001D	Front cover (No. 1.2.3.4.5.6.7.10.11.17 included)
2	G2050	Thread take-up cover
3	G1166	Thread guide (B)
4	G1280	Thread guide (C)
5	C10071004	Thread guide (F)
6	B10241004	Thread guide (D)
7	G6052	Lower looper thread guide (A)
8	W04F10A06	Washer
9	M04L08A06	Set screw
10	G1138	Front cover fixing board
11	M03L08C02	Set screw
12	G1221-567	Bulb cover
13	G2068	Lamp cover heatout plate
14	M03L06I04	Set screw
15	W03F07A06	Washer
16	M04L4.5A04	Set screw
17	A11481499	Color sticker (brown)



## 2. Tension dial / Auto release

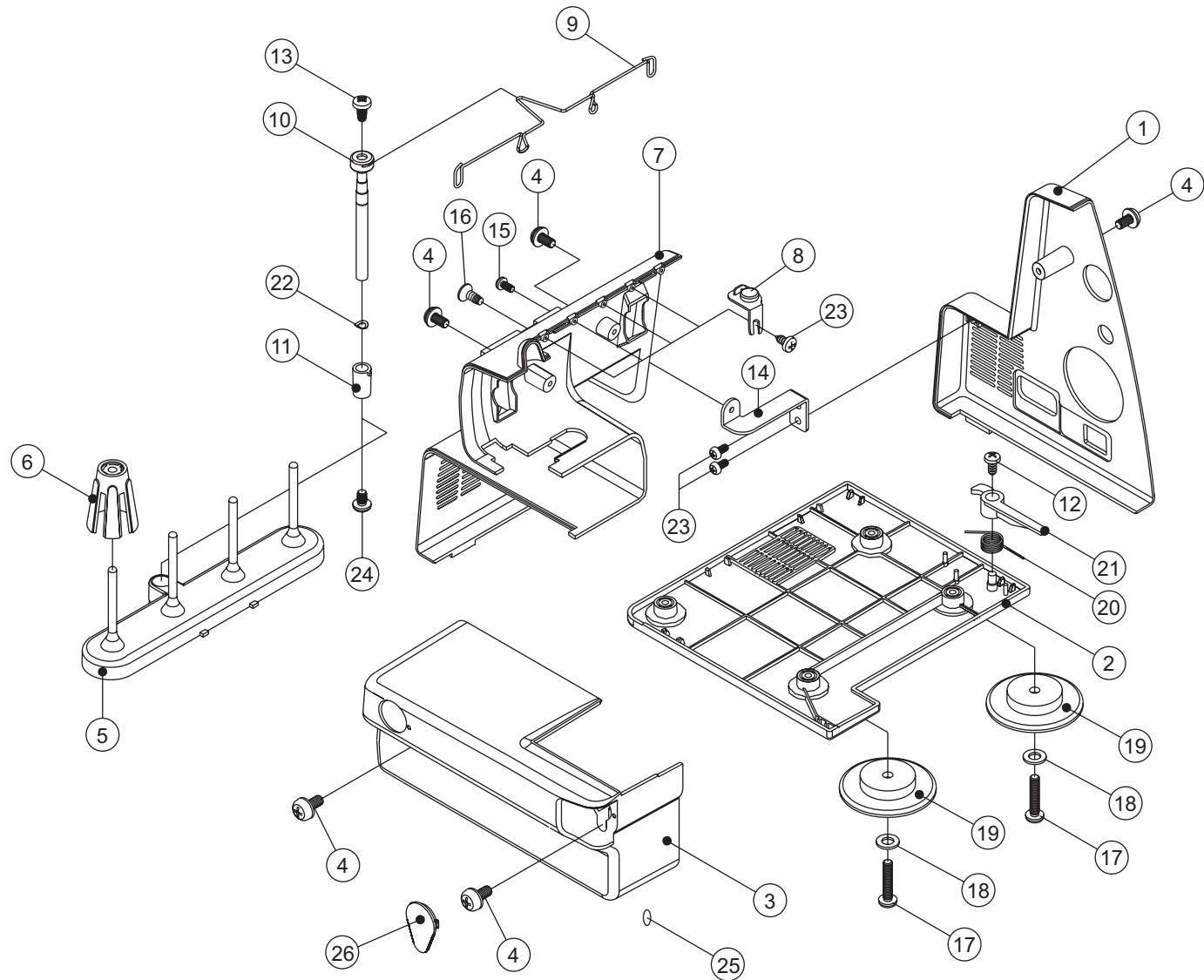
No.	Parts No.	Parts Name	No.	Parts No.	Parts Name
1	B1004P005E	Tension dial set (cover stitch looper)	10	B1004P005	Tension dial
1	B1004P005C	Tension dial set (right needle)	11	W05F10A03	Washer
1	B1004P005B	Tension dial set (middle needle)	12	W05W09A01	Wave washer
1	B1004P005A	Tension dial set (left needle)	13	B10181001	Tension dial setting plate
2	G40112	Tension dial holder set	14	M03L06I04	Set screw
3	A10701004	Tension disc	15	M04L4.5A04	Set screw
4	G4013	Tension disc	16	G4012	Tension dial holder
5	B10481006	Tension spring (left needle)	17	G2027	Release cam shaft
5	B10491001	Tension spring (middle needle)	18	G2040	Setting collar
5	B10501002	Tension spring (right needle)	19	M04L06E01	Set screw
6	G1126	Tension spring (middle & right needle)	20	G2024	Release cam
6	G1094	Tension spring (cover stitch looper)	21	M03L10I02	Set screw
7	B10131000	Tension regulate nut	22	G2022	Release link supporter
8	B10061250	Tension regulate pin (green)	23	G2025	Release link pin A
8	B10061162	Tension regulate pin (orange)	24	G2026	Release link pin B
8	B10061499	Tension regulate pin (brown)	25	G2021	Release link
8	B10061184	Tension regulate pin (blue)	26	E03T06A04	E ring
9	B10051250	Tension regulate disc (green)	27	M04L04E01	Set screw
9	B10051162	Tension regulate disc (orange)	28	E05T06A04	E ring
9	B10051499	Tension regulate disc (brown)			
9	B10051184	Tension regulate disc (blue)			



### 3. Looper cover

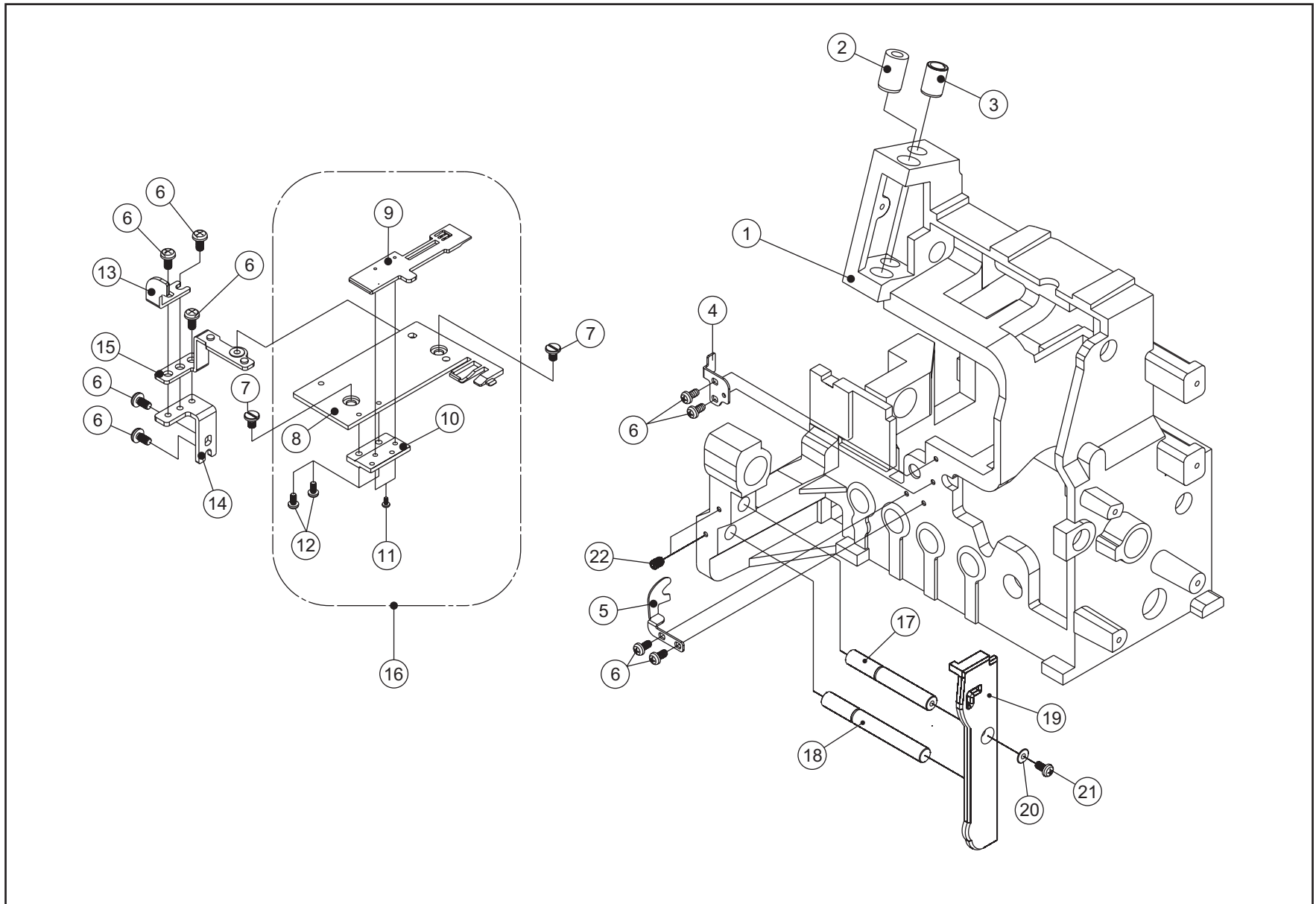
<u>No.</u>	<u>Parts No.</u>	<u>Parts Name</u>
1	G1202	Looper cover hinge (A)
2	G1201	Looper cover hinge (B)
3	G1204	Looper cover hinge shaft
4	G1203	Hinge locating board
5	M04L08A06	Set screw
6	W04F10A06	Washer
7	M03L04A03	Set screw
8	E03T06A04	E ring
9	G1214-567	Looper cover
10	B10271004	Looper cover setting plate
11	M04L10C06	Set screw
12	M03L08C02	Set screw
13	A11061001	Looper cover hinge spring
14	G1211	Connecting press plate
15	E03T06C04	E ring
16	G1124	Thread guide sticker (G15)
17	W03F07A06	Washer
18	M03L03A03	Set screw
19	G1216-567	Looper cover attached cover (B)
20	G1217	Looper cover attached cover (B) guide plate
21	G1216A	Looper cover attached cover (B) set
22	G12014	Looper cover hinge set





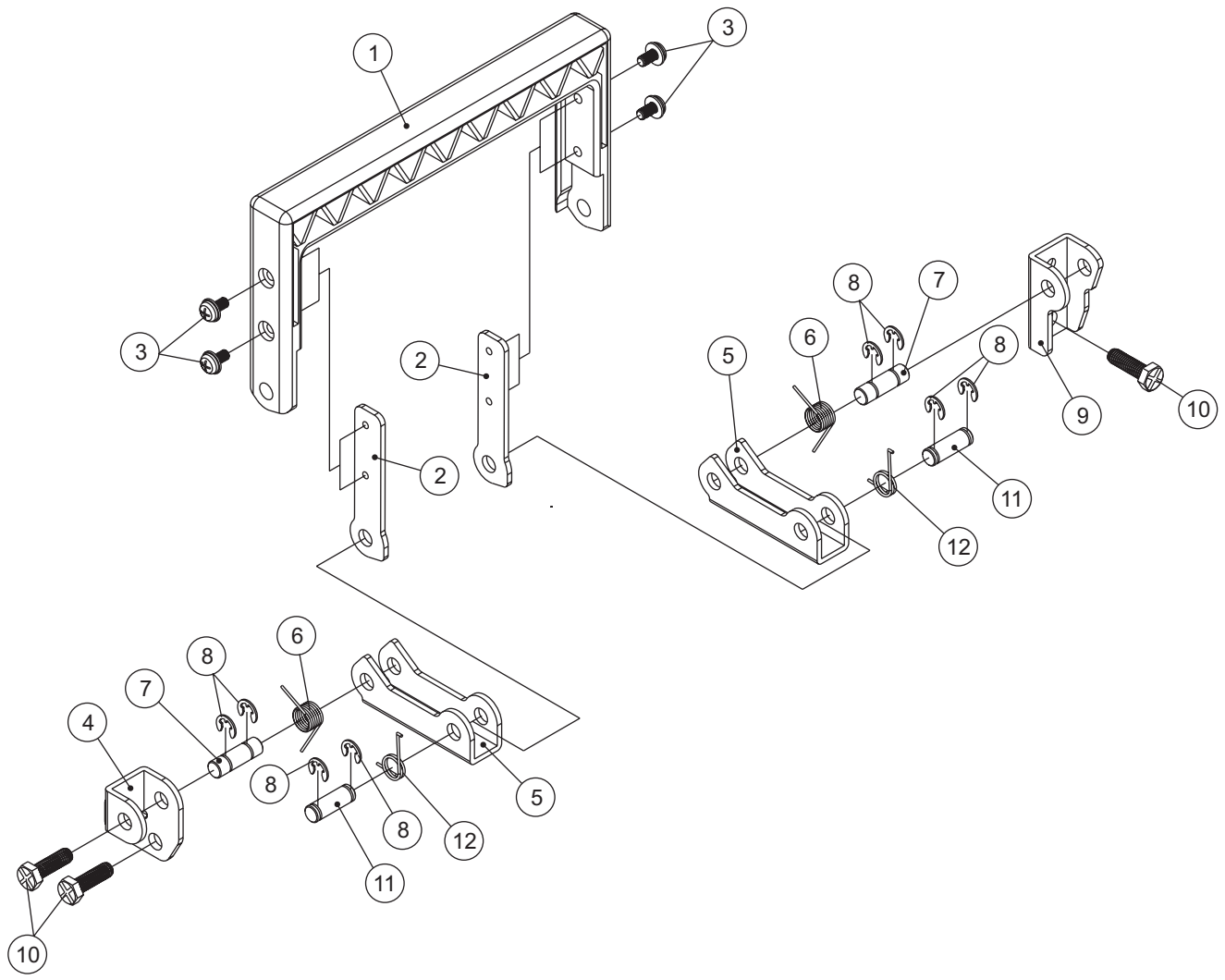
#### 4. Side cover / Base plate / Extension table / Back cover / Thread guide bar / Spool stand

<u>No.</u>	<u>Parts No.</u>	<u>Parts Name</u>
1	G1213-567	Side cover
2	G1227-567	Base plate
3	G4003-567	Extension table
4	M04L10W08	Set screw
5	G4002-567	Spool stand
6	A1V011567	Cone holder
7	G1212-567	Back cover
8	G12842	Thread guide plate
9	G4015	Thread guide bar
10	B10422000	Extension bar
11	G1228-567	Extension bar setting
12	M03L08C02	Set screw
13	M04L08C04	Set screw
14	G1139	Side cover setting board
15	M03L06I04	Set screw
16	M04L12K04	Set screw
17	M04L22B06	Set screw
18	W04F10A06	Washer
19	A11251000	Rubber
20	G1208	Micro switch contactor spring
21	G1207	Micro switch contactor
22	W05W09A01	Wave washer
23	M03L08C02	Set screw
24	M04L12W08	Set screw
25	A11481235	Color sticker (red)
26	G1209-567	Extension table attached cover



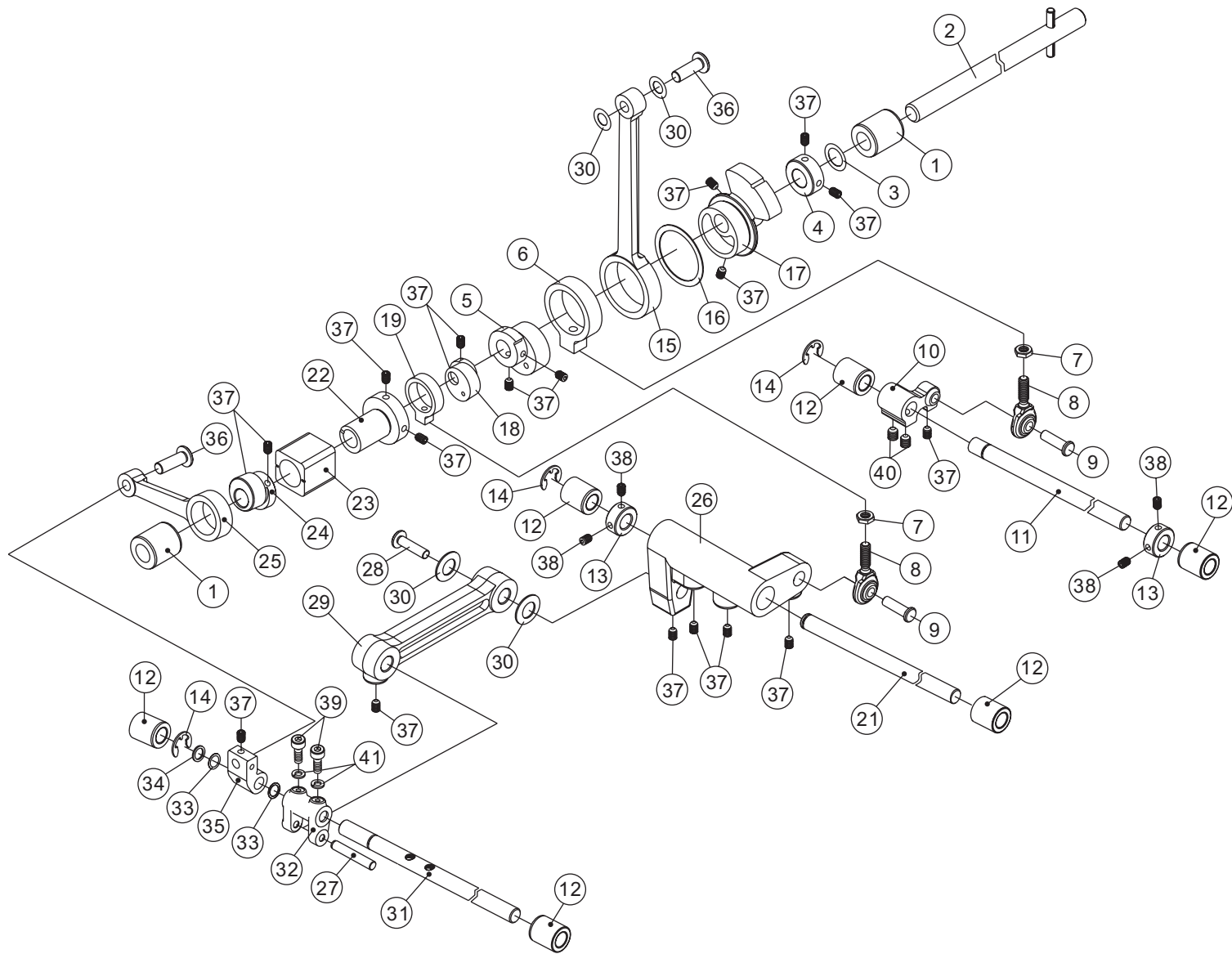
## 5. Machine frame / Stitch plate

<u>No.</u>	<u>Parts No.</u>	<u>Parts Name</u>
1	G1002	Machine frame
2	A10371000	Needle bar bushing
3	G1265	Presser bar bushing
4	G1153	Feed dog holder guide board (front)
5	G1154	Feed dog holder guide board (rear)
6	M04L08A06	Set screw
7	G1279	Set screw
8	G1067	Stitch plate
9	G1041	Fixed lever
10	G2091	Fixed board
11	M02L04I04	Set screw
12	M03L05A03	Set screw
13	G1283	Front feed dog guide board
14	G1156	Needle plate locating board support
15	G1155	Needle plate locating board
16	G1067C	Stitch plate set (No. 8.9.10.11.12 included)
17	G1133	Upper knife arm support bar shaft
18	G1146	Upper knife shake arm shaft
19	G1229-567	Upper knife set cover
20	W03F07A06	Washer
21	M03L06I04	Set screw
22	M04L06E01	Set screw



## 6. Handle holder

<u>No.</u>	<u>Parts No.</u>	<u>Parts Name</u>
1	G1195-567	Handle
2	G1194	Handle holder
3	M03L08I04	Set screw
4	G1196	Handle supporter (A)
5	G1192	Handle link
6	G1197	Handle spring (B)
7	G1200	Handle link pin (B)
8	E04T06A04	E ring
9	G1193	Handle supporter (B)
10	M05L08M02	Set screw
11	G1198	Handle link pin (A)
12	G1199	Handle spring (A)



## 7. Main shaft

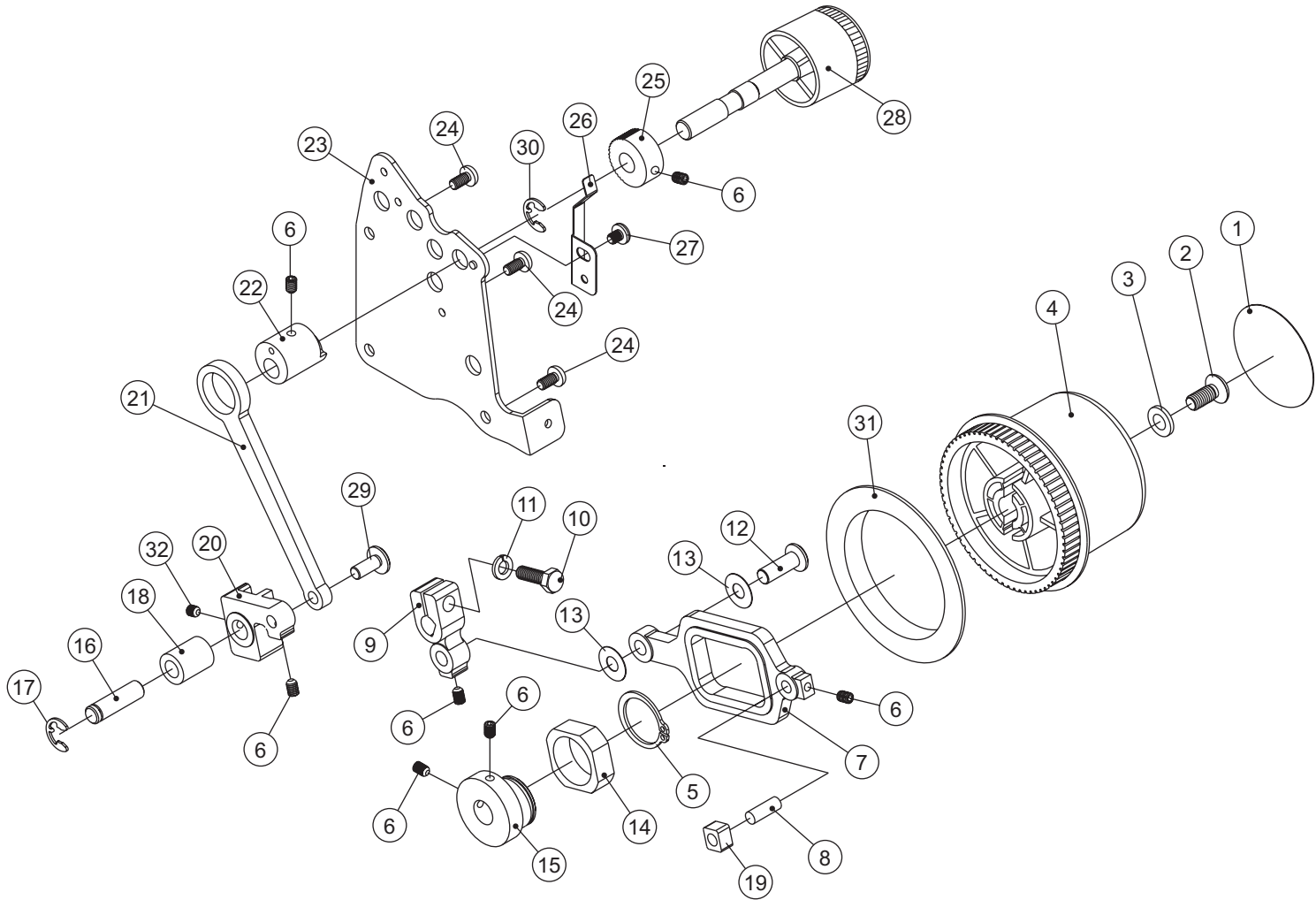
<u>No.</u>	<u>Parts No.</u>	<u>Parts Name</u>	<u>No.</u>	<u>Parts No.</u>	<u>Parts Name</u>
1	A10351000	Main shaft bushing	25	G3015	Cover stitch link
2	G10602	Main shaft set	26	G1304	Waver stitch shaking arm
3	W10T15A00	Washer	27	G1031	Waver link bar pin (B)
4	A10951001	Setting collar	28	G1013	Waver link bar pin (A)
5	A11571000	Looper cam (A)	29	G1305	Waver link bar
6	A10071000	Looper link	30	W06T11A00	Washer
7	M05H38A06	Nut	31	G3018	Cover stitch shaft
8	A11241000	Bearing	32	G1016	Waver stitch shaking arm
9	A10791000	Looper shaft link pin	33	W08T12A00	Washer
10	G1032	Looper shaft link	34	W08F12A01	Washer
11	G1123	Upper looper shaft	35	G3016	Shaft driving support
12	G1040	Looper shaft bushing	36	A10831000	Feed dog link pin (B)
13	A10961001	Setting collar	37	M04L06E01	Set screw
14	E06T08A04	E ring	38	M04L04E01	Set screw
15	G1037	Needle bar connecting bar	39	M04L12F01	Set screw
16	W28T34A00	Washer	40	M05L06E01	Set screw
17	G1034	Needle bar cam	41	W04S13A06	Washer
18	G1035	Lower looper cam			
19	G1029	Looper link (B)			
20	G1011	Looper shaft link			
21	G1058	Cover stitch driving shaft			
22	G1042	Feed dog cam			
23	G1043	Feed dog supporter slide block			
24	G1036	Cover stitch looper cam			





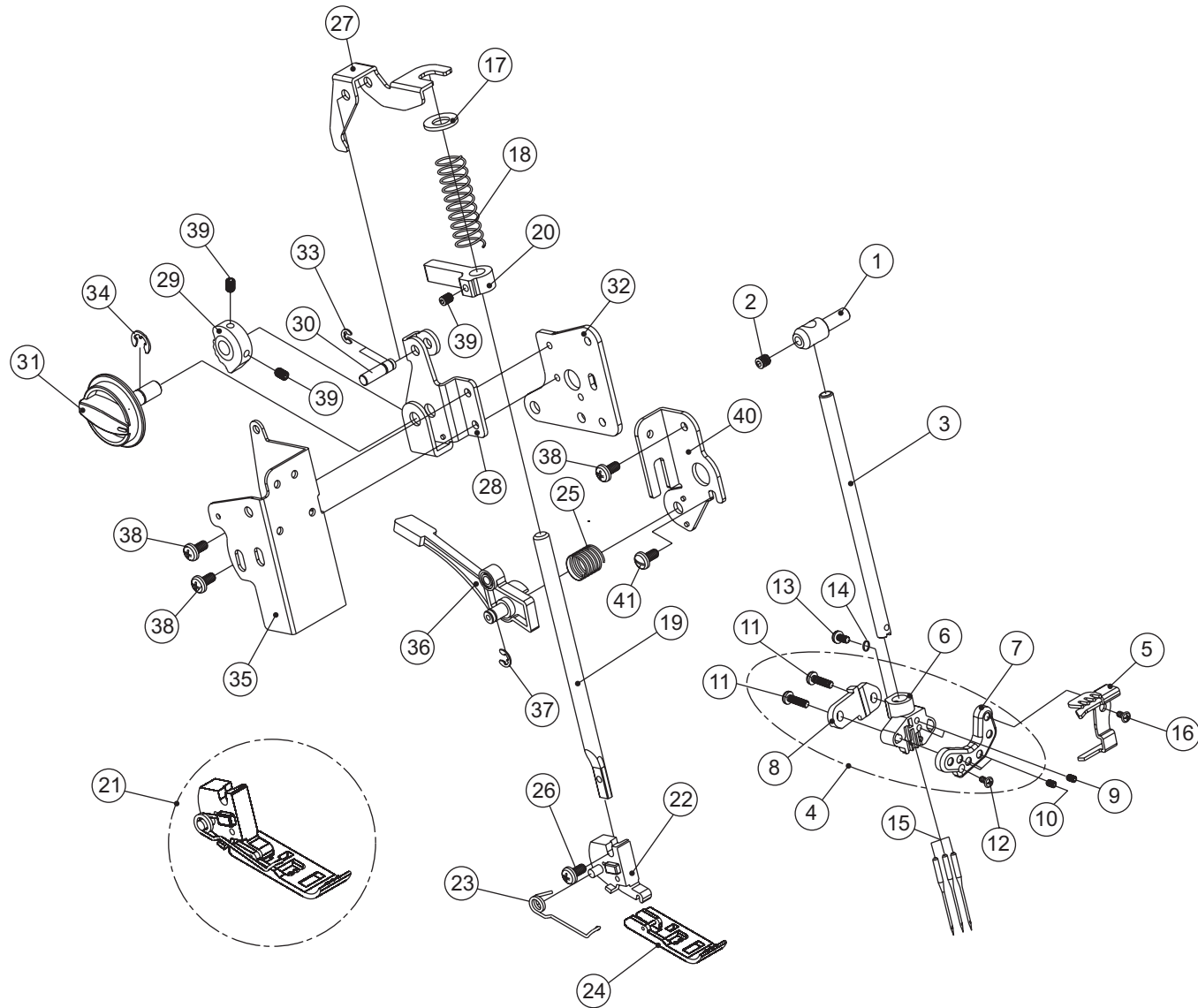
## 8. Needle bar connecting arm

<u>No.</u>	<u>Parts No.</u>	<u>Parts Name</u>
1	G1040	Looper shaft bushing
2	G1170	Needle bar link shaft
3	E06T08A04	E ring
4	A10961001	Setting collar
5	A10831000	Feed drive link pin (B)
6	W06T11A00	Washer
7	G1089	Needle bar connecting arm
8	G1087	Needle bar crank
9	G2056	Needle bar thread take-up lever
10	M03L06I04	Set screw
11	M04L06E01	Set screw
12	M04L04E01	Set screw



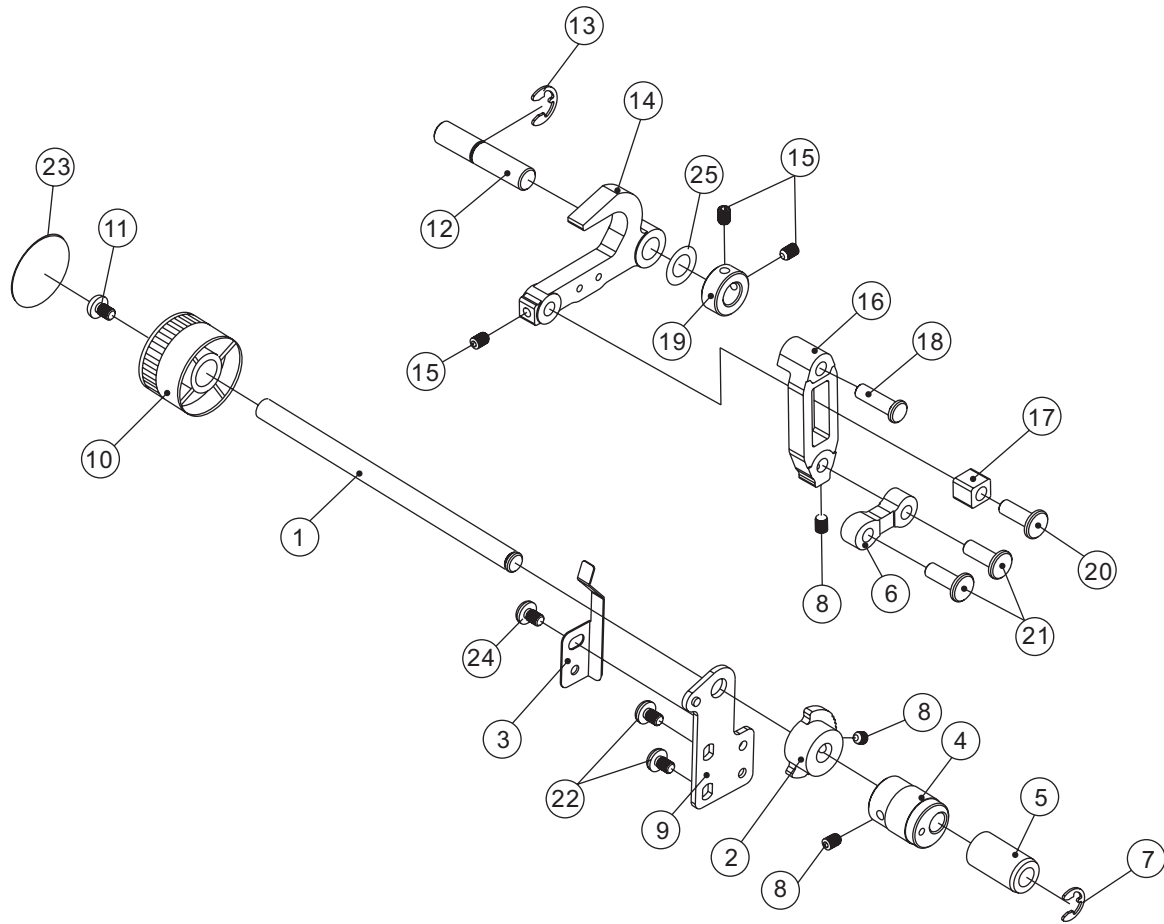
## 9. Handwheel / Stitch length dial

No.	Parts No.	Parts Name	No.	Parts No.	Parts Name
1	A11151211	Handwheel decorate plate	18	A10411000	Feed regulate holder bushing
2	M06L12I06	Set screw	19	G1099	Feed slide block
3	W06F19A06	Washer	20	G1098	Feed slide holder
4	A11401567	Handwheel	21	A10121000	Feed regulate link
5	C20T12A01	C ring	22	G1090	Feed regulate cam
6	M04L06E01	Set screw	23	G2031	Feed regulate holder
7	A10171000	Feed drive link	24	M04L08A06	Set screw
8	A10821000	Feed drive link pin (A)	25	G1268	Locating collar
9	G1159	Feed link	26	G1257	Locating spring
10	M05L15M02	Set screw	27	M04L4.5A04	Set screw
11	W05S13A06	Spring washer	28	G1104P001	Stitch length dial
12	A10831000	Feed drive link pin (B)	29	A10741000	Feed regulate link pin
13	W06T11A00	Washer	30	E06T08A04	E ring
14	A10161000	Feed cam slide block	31	B10651567	Handwheel setting collar
15	A10181000	Feed cam	32	M04L04E01	Set screw
16	A10861001	Feed regulate holder shaft			
17	E05T06A04	E ring			



## 10. Needle bar / Presser bar / Presser foot

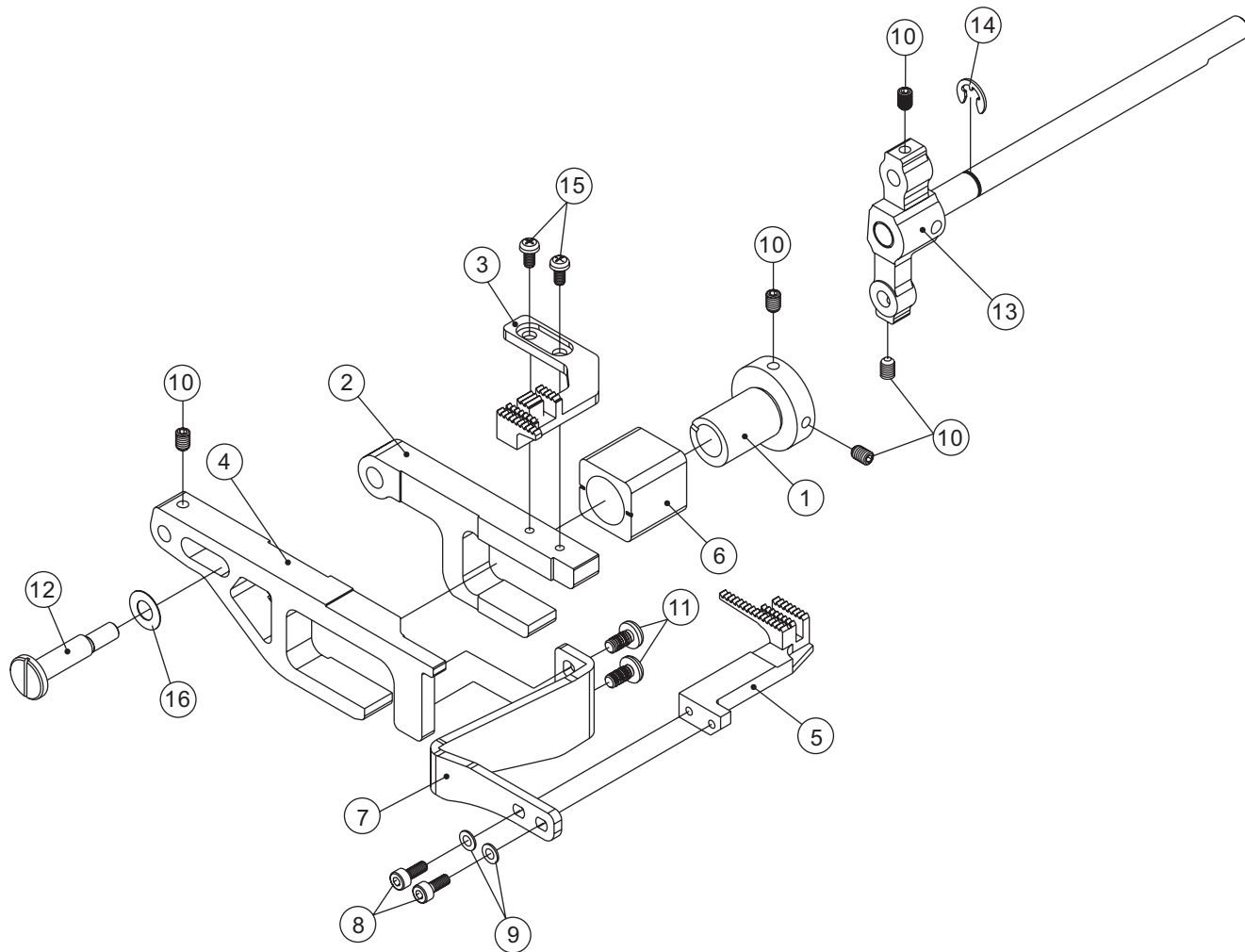
<u>No.</u>	<u>Parts No.</u>	<u>Parts Name</u>	<u>No.</u>	<u>Parts No.</u>	<u>Parts Name</u>
1	G1088	Needle bar setting link	22	A1A021004	Presser foot holder
2	M05L06E01	Set screw	23	G1022	Presser foot spring
3	G1286	Needle bar	24	G1281	Presser foot
4	G12462	Needle clamp complete set	25	G2020	Presser bar lifter spring
5	G1249	Needle clamp thread guide	26	096408A04	Set screw
6	G1246	Needle clamp	27	G1185	Needle bar locate board
7	G1247	Needle clamp lower board	28	G1186	Needle bar locate support
8	G1248	Needle clamp upper board	29	G1187	Needle bar locate cam
9	M03L05H01	Set screw	30	G1188	Needle bar locate pin
10	M03L04H01	Set screw	31	G11902567	Presser bar dial
11	M03L14B03	Set screw	32	G2015	Support setting board
12	M02L04I04	Set screw	33	E04T06A04	E ring
13	010807A03	Set screw	34	E06T08A04	E ring
14	W03S13I04	Washer	35	G1191	Bulb holder
15	A1K044000	Needle	36	G1298	Presser bar lifter
16	M03L06I04	Set screw	37	E05T06A04	E ring
17	W07F15A06	Washer	38	M04L08A06	Set screw
18	G2066	Presser bar spring	39	M04L06E01	Set screw
19	G1266	Presser bar	40	G2013	Presser bar lifter holder
20	G2016	Presser bar setting link	41	G1279	Set screw
21	G12812	Presser foot complete set			



## 11. Differential feed

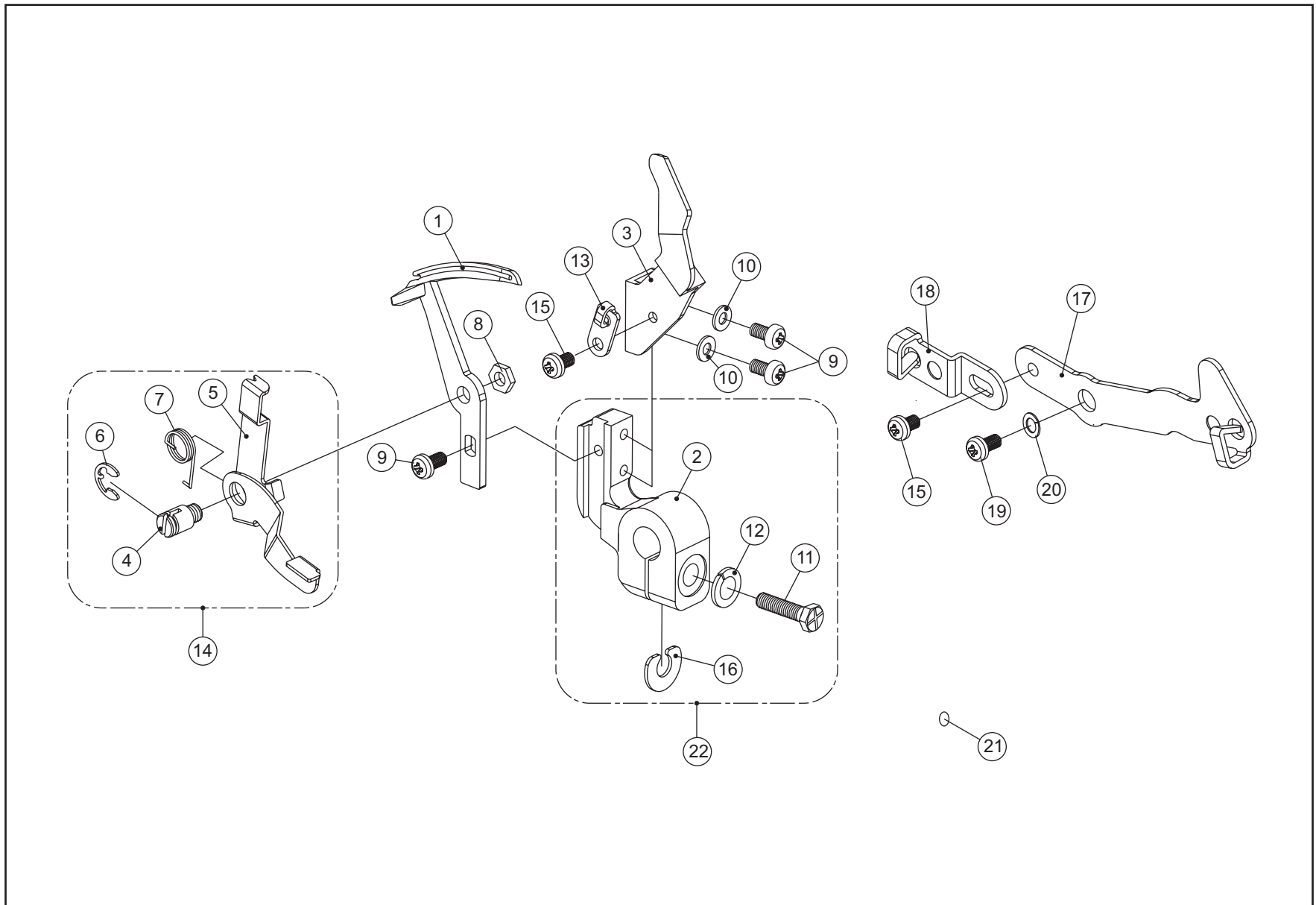
<u>No.</u>	<u>Parts No.</u>	<u>Parts Name</u>	<u>No.</u>	<u>Parts No.</u>	<u>Parts Name</u>
1	G1053	D.F. shaft	18	G1055	Feed dog holder pin
2	G1256	D.F. locating collar	19	A10961001	Setting collar
3	G1257	D.F. dial locating spring	20	A10791000	D.F. slide block pin
4	G1052	D.F. regulate cam	21	G1050	D.F. link pin
5	A4010-1	D.F. dial bushing	22	M04L08A06	Set screw
6	G1047	D.F. link bar	23	G1273	Dial cup
7	E05T06A04	E ring	24	M04L4.5A04	Set screw
8	M04L06E01	Set screw	25	W08T12A00	Washer
9	G1164	D.F. dial support			
10	G1272P001	D.F. dial			
11	M03L06I04	Set screw			
12	G1054	D.F. regulate shaft			
13	E06T08A04	E ring			
14	G1051	D.F. regulate support			
15	M04L04E01	Set screw			
16	G1045	D.F. slide support			
17	G1046	D.F. slide block			





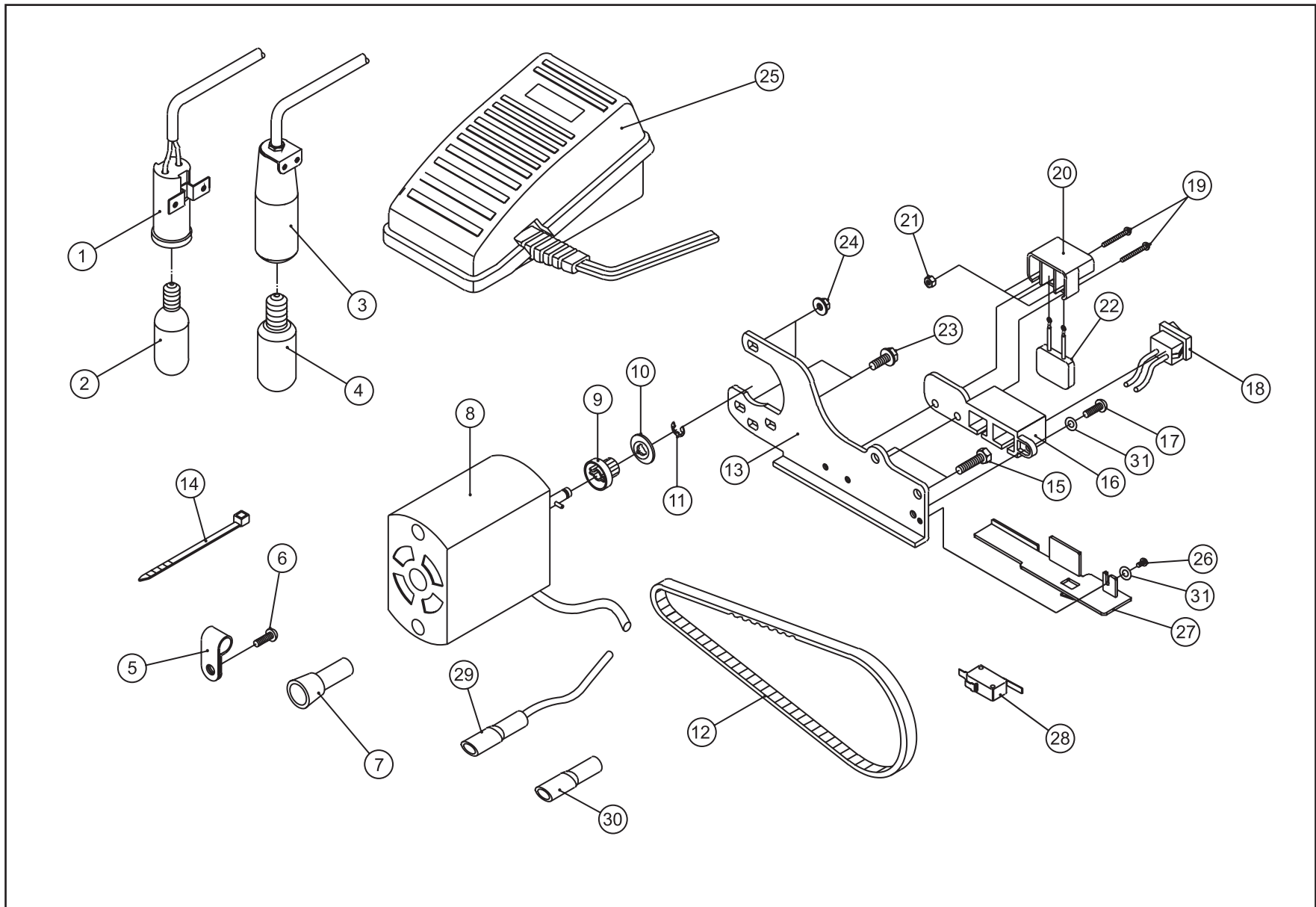
## 12. Feed dog

<u>No.</u>	<u>Parts No.</u>	<u>Parts Name</u>
1	G1042	Feed dog cam
2	G1044	Feed dog holder (rear)
3	G1065	Feed dog (rear)
4	G1049	Feed dog holder (front)
5	G1066	Feed dog (front)
6	G1043	Feed dog supporter slide block
7	G1069	Feed dog supporter (front)
8	M03L08F01	Set screw
9	W03F07B03	Washer
10	M04L06E01	Set screw
11	M04L08A02	Set screw
12	G1056	Feed dog holder pin
13	G10482	Feed dog shaking rod complete set
14	E07T08A04	E ring
15	M03L08I01	Set screw
16	W06T13A00	Washer



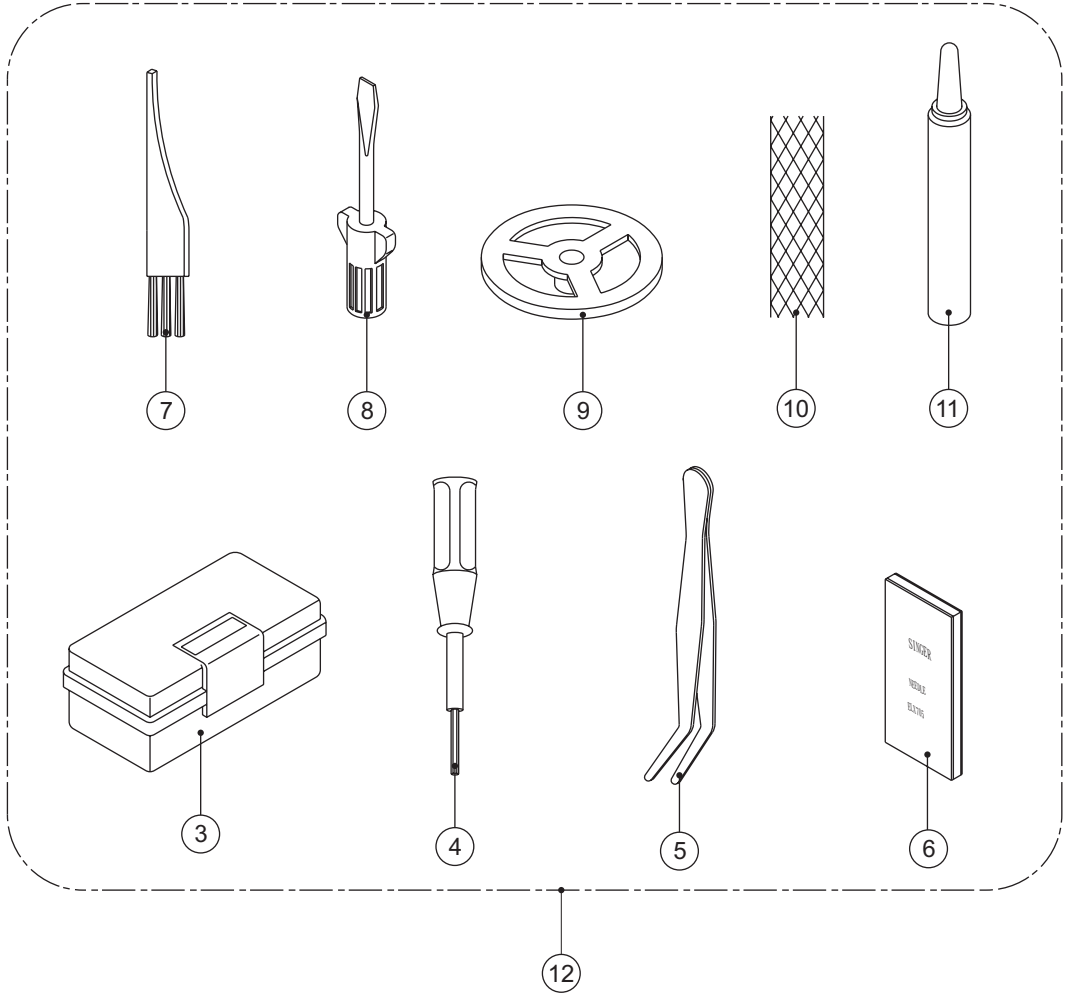
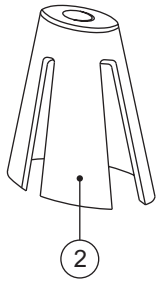
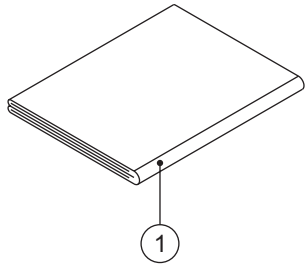
## 13. Cover stitch looper / Auto threader

<u>No.</u>	<u>Parts No.</u>	<u>Parts Name</u>
1	G1070	Cover stitch looper
2	G1071	Cover stitch looper supporter
3	G1259	Cover stitch looper protect board
4	G1149	Auto threader shaft
5	G1148	Auto threader
6	E04T06A04	E ring
7	A30051001	Auto threader spring
8	G2069	Nut
9	M03L08I01	Set screw
10	W03F07B03	Washer
11	M05L18M02	Set screw
12	W05S13A06	Spring washer
13	G1269	Cover stitch looper thread guide
14	G11482	Auto threader complete set
15	M03L03A03	Set screw
16	G1287	Washer
17	G1120	Cover stitch looper thread take-up lever (D)
18	G1121	Cover stitch looper thread take-up lever (E)
19	M04L08A06	Set screw
20	W04S13A06	Washer
21	A11481499	Color sticker (brown)
22	G10712	Cover stitch looper supporter set



## 16. Electronic parts

No.	Parts No.	Parts Name	No.	Parts No.	Parts Name
1	EE003	Lighting set (100V)	16	A11431567	Switch supporter
1	EE001	Lighting set (120V)	17	M04L10A06	Set screw
2	EE0161000	Bulb (100V)	18	EE0112000	Switch
2	EE0171000	Bulb (120V)	19	M6837	Set screw
3	EE002	Lighting set (240V) (Available for 220V/230V/240V)	20	M6834Z	Machine socket
4	EE0181000	Bulb (240V) (Available for 220V/230V/240V)	21	M9828	Nut
5	EE0201000	HW(1/4) cord clip	22	KC98-18A	Condenser
	EE032	(HW(5/16) cord clip for 120V)	23	M9815A	Set screw
6	M04L08A06	Set screw	24	M6844A	Nut
7	EE0191000	C4 End terminal	25	4C-315A221	Foot controller (100v) Japan
8	3M-803A404	Motor (100V)	25	4C-316B22	Foot controller (120v) U.S.A.
8	KM-6390U	Motor (120V)	25	4C-326C22	Foot controller (220v) South Africa
8	WM-298I-9	Motor (220V~230V)	25	4C-316C24	Foot controller (220v) Korea
8	WM-298-9	Motor (240V)	25	4C-316C28	Foot controller (220v) the Middle East
9	A11411000	Timing belt pulley	25	4C-326G22	Foot controller (230v) Europe
10	A11421000	Timing belt pulley cover	25	4C-326C25	Foot controller (240v) U.K.
11	E04T06A04	E ring	25	4C-326C23	Foot controller (240v) Australia & New Zealand
12	A1O011000	Timing belt	26	M03L06I04	Set screw
13	A10881001	Motor supporter	27	G1238	Micro switch insulation plate
14	EE0112004	Cord clip	28	EE004	Micro switch
15	M05L15M02	Set screw	29	EE0501000	Terminal w/transparent insulation tube
			30	EE0511184	Terminal w/un-transparent insulation tube
			31	W04F10A06	Washer



## 15. Accessories

<u>No.</u>	<u>Parts No.</u>	<u>Parts Name</u>
1	A1U011000	Dust cover
2	A1V011567	Cone holder
3	G2071	Accessory box
4	B1H011001	Hexagon driver
5	A1G011000	Tweezers
6	A1J053000	Needle x 5
7	A1I011000	Cleaning brush
8	A1F011211	Screw driver
9	A1C011567	Spool caps
10	A1L011000	Net
11	A1E011000	Oiler
12	G2071G	Accessory box set (No.3.4.5.6.7. 8.9.10.11 included)