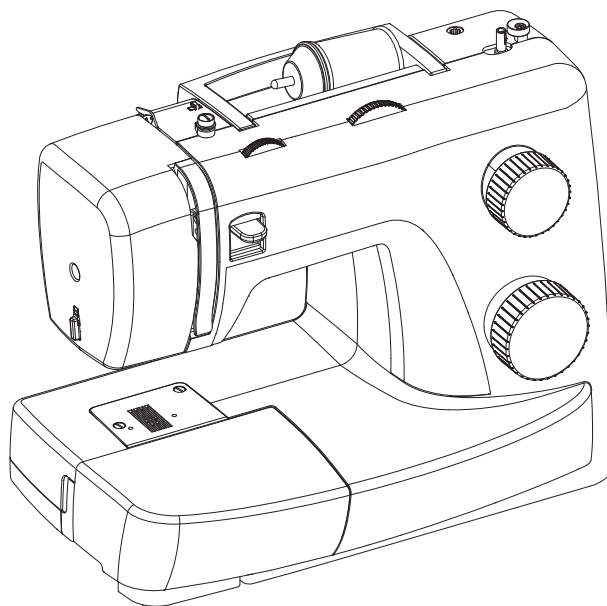




SINGER

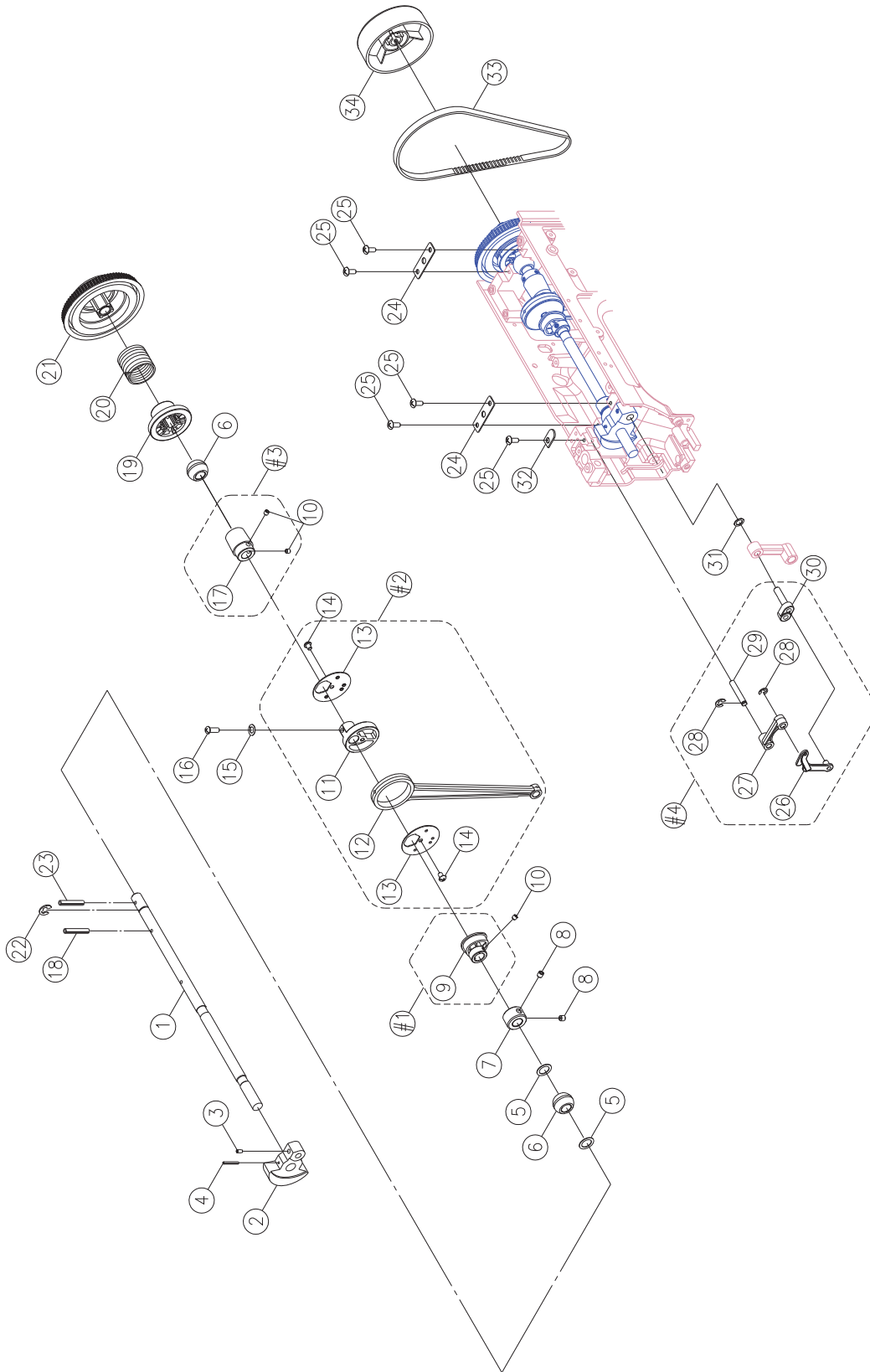
3221

3232



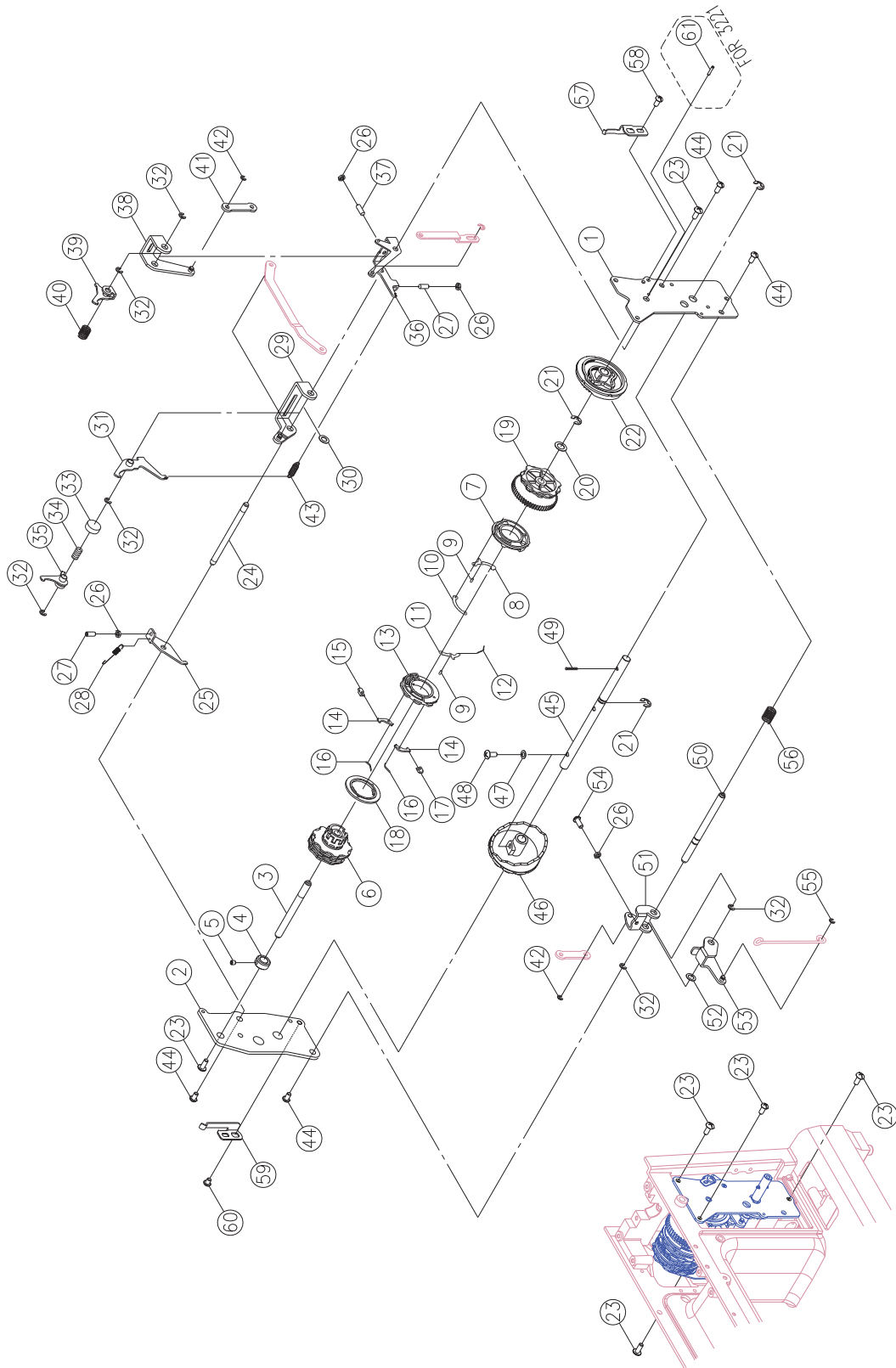
Liste de pièces
Lista de Piezas
Parts List

A

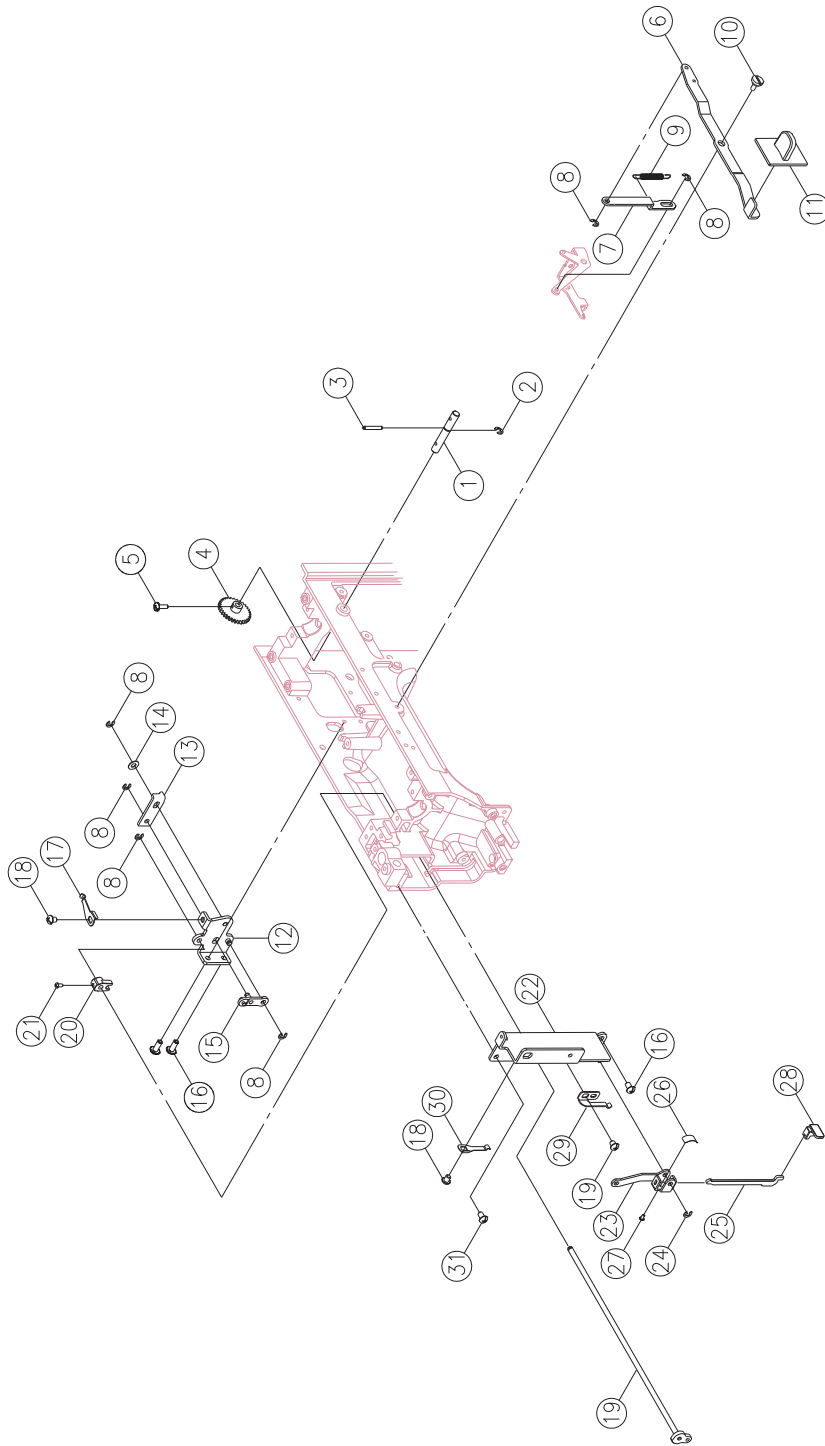


Pos	Part No.	Description
1	416604501	ARM SHAFT
2	270 V61473000	ARM SHAFT BALANCE
3	416122101	SET SCREW(M4×6 C)
4	270 003043524	ARM SHAFT BALANCE PIN (φ3.5×24)
5	270 004400080	ENDURE ATTRITION WASHER (10.2×15×0.5)
6	416156301	ARM SHAFT BUSING
7	416156501	ARM SHAFT COLLAR
8	270 004250203	SET SCREW(M5×5 C)
9	270 G4A0533000	FEED CAM
10	416122401	SET SCREW(M4×4 C)
11	416524201	CRANK CONNECTING ROD CAM
12	416524301	CRANK CONNECTING ROD
13	416524401	CRANK CONNECTING ROD COVER
14	416524501	SET SCREW (M4X4 B)
15	270 004600026	WASHER(4.2×7.2×1.2)
16	270 004107063	SET SCREW(11/64×40×12)
17	416542601	ARM SHAFT WORM
18	270 003043028	SPRING PIN(φ3×28)
19	416307201	ARM SHAFT COLLAR
20	270 D5A0573003	ARM SHAFT CLUTCH ANNULUS SPRING
21	270 D5A0563000	ARM SHAFT DRIVER BELT PULLEY
22	416542901	E-RING (ETW-8)
23	270 003043030	SPRING PIN(φ3×30)
24	416161701	ARM SHAFT BUSHING HOLDER PLATE
25	416121501	SET SCREW(M4×8 A)
26	270 E1A2513001	THREAD TAKE UP LEVER
27	270 V10523000	THREAD TAKE UP LEVER SUPPORTER
28	416116101	E-RING (ETW-4)
29	270 V60223003	THREAD TAKE UP LEVER SUPPORTER SHAFT
30	416158001	ARM SHAFT BALANCE PIN
31	270 0044000020	ENDURE ATTRITION WASHER (6.2×12×0.25)
32	416152201	CARRYING HANDLE PLATE
33	270 007158XXL5	MOTOR DRIVE BELT (158XXL)
34	416495001	HAND WHEEL
#1	270 G4A0535000	FEED CAM COMPLETE
#2	416604601	CRANK CONNECTING ROD COMPLETE
#3	416604701	ARM SHAFT WORM COMPLETE
#4	270 E1A2534000	THREAD TAKE UP LEVER COMPLETE

B

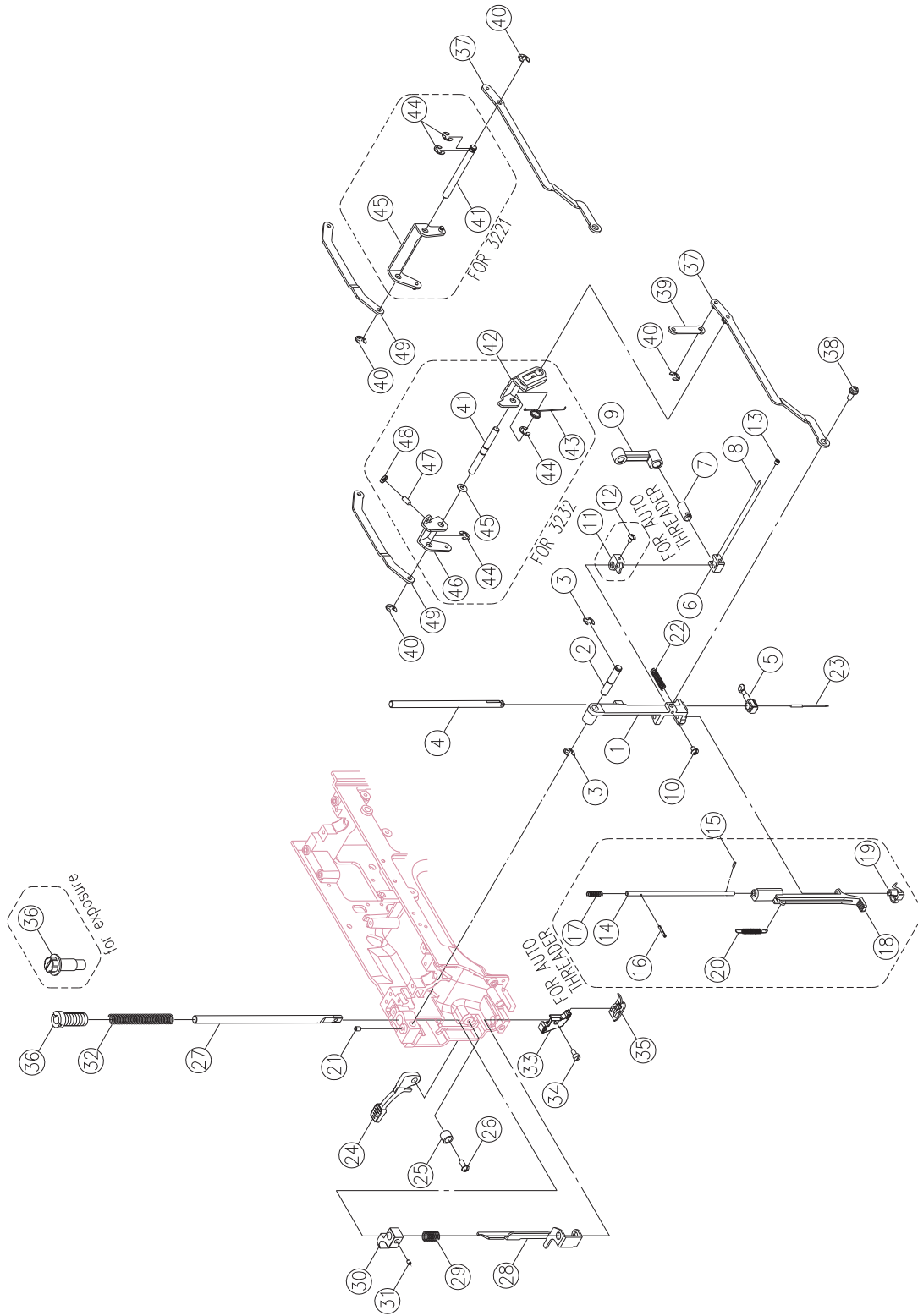


Pos	Part No.	Description
1	416596801	PATTERN CAM CONTACT PLATE (FRONT)
2	416543701	PATTERN CAM CONTACT PLATE (BACK)
3	416543801	PATTERN CAM SHAFT
4	416599301	PATTERN CAM SHAFT COLLAR
5	416122401	SET SCREW(M4×4C)
6	270 K6A0263000	PATTERN CAM
7	416543901	BH FEED REGULATOR CAM
8	416544001	BH CLUTCH CONTACT A
9	416229201	BH CLUTCH SHAFT
10	416544101	BH CLUTCH LEVER
11	416544201	BH CLUTCH CONTACT B
12	416229601	BH CLUTCH SPRING PLATE
13	416544301	BH CAM
14	416544401	BH CONTACT
15	416544501	BH SLIDE BLOCK R
16	416544601	BH CONTACT SPRING PLATE
17	416544701	BH SLIDE BLOCK L
18	416544801	STRAIGHT STITCH CAM
19	416427901	SS CAM
20	416228101	WASHER(φ8.2×φ14×0.5)
21	416116401	E-RING (ETW-6)
22	270 K6B0033000	FEED REGULATOR CAM
23	416121501	SET SCREW (M4×8 A)
24	416598001	ZIGZAG CAM CONTACT SUPPORTER SHAFT
25	416544901	ZIGZAG RELEASE PLATE
26	416126801	NUT (ALN-4)
27	416185501	SET SCREW (M4×0.7 L9)
28	416545001	ZIGZAG RELEASE PLATE SPRING
29	416604801	ZIGZAG CAM CONTACT SUPPORTER
30	416604901	WASHER(φ6.7×φ12×T0.5)
31	416545201	BH FEED CRANK
32	270 003010056	E-RING (ETW-5)
33	416545301	SPRING PEDESTAL
34	416517801	ZIGZAG CAM CONTACT SPRING
35	416545501	ZIGZAG CAM CONTACT
36	416545601	BH ADJUSTING CRANK
37	416122701	SET SCREW (M4×0.7 L12)
38	416605001	SS CAM CONTACT SUPPORTER
39	416597501	SS CAM CONTACT
40	416166401	SS CAM CONTACT SPRING
41	416605101	FEED ROCK SHAFT
42	416116001	E-RING (ETW-3)
43	416187301	BH FEED CRANK SPRING
44	416119701	SET SCREW(M3×8 B)
45	416605201	PATTERN SELECTOR CAM SHAFT
46	416605301	PATTERN SELECTOR CAM- 3221
46	416546201	PATTERN SELECTOR CAM-3232
47	416185901	WASHER (φ4.2×φ9×0.5)
48	416185201	SET SCREW (M4×10)
49	416183901	SPRING PIN (Ø2.5×16)
50	416605401	FEED CRANK SHAFT
51	416605501	FEED ADJUSTING CRANK
52	270 004300113	WASHER(φ6.7×φ14×0.8)
53	416605601	CRANK SHAFT
54	416121101	SET SCREW (M4×10B)
55	270 003010046	E-RING (ETW-4)
56	270 H10723003	TENSION LEVER LIFTER SPRING
57	416546501	FEED REGULATOR FIX PLATE
58	416524501	SET SCREW (M4×4B)
59	416195301	PATTERN FIX SPRING PLATE
60	416226601	SET SCREW (M4×5B)
61	416547101	SPRING PIN (Ø2.5×10) -3221



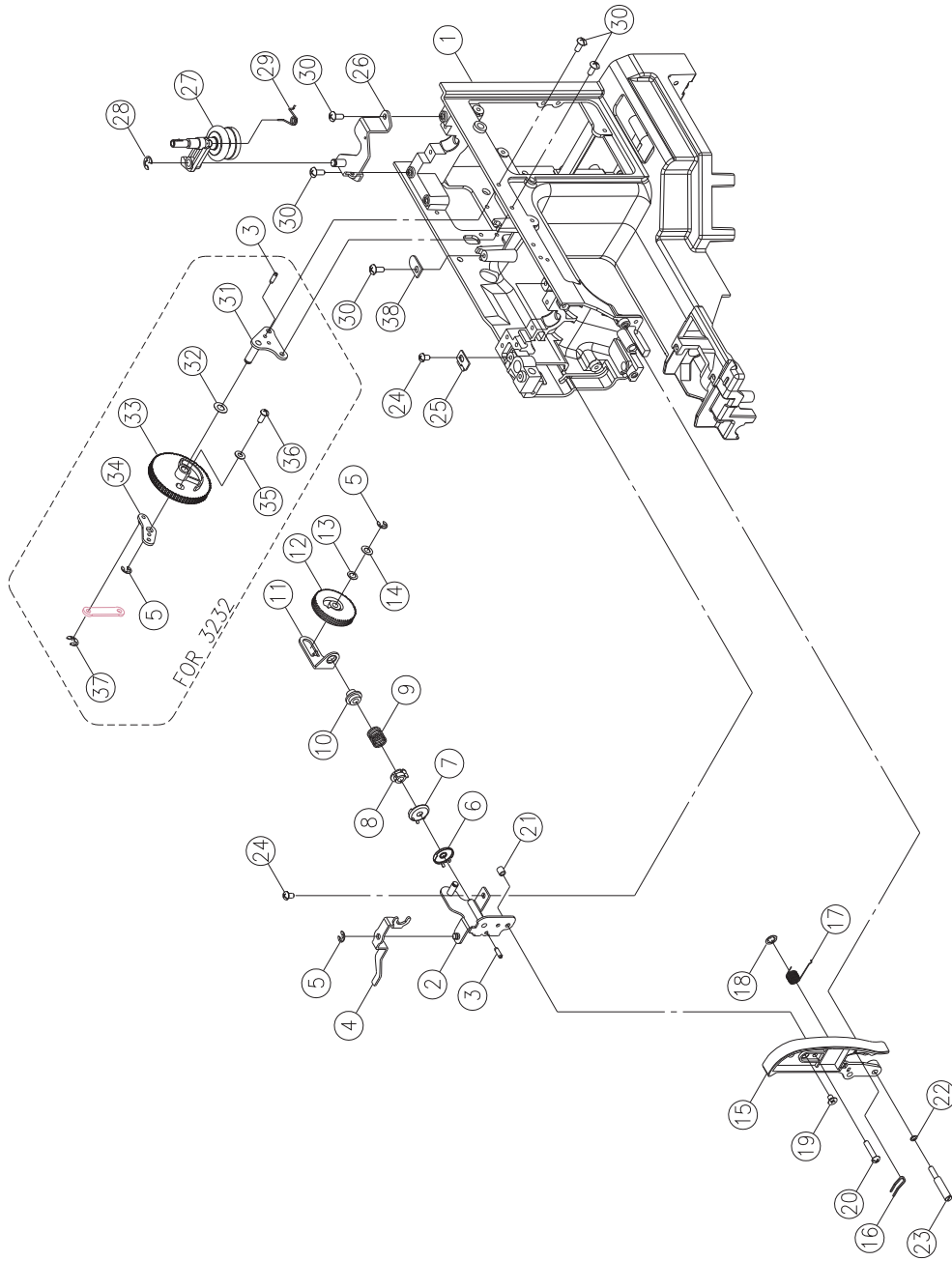
Pos	Part No.	Description
1	416605701	FEED REGULATOR DIAL SHAFT
2	416116301	E-RING (ETW-5)
3	416183901	SPRING PIN (Ø2.5×16)
4	416195501	FEED REGULATOR GEAR
5	416518401	SET SCREW (M3×8 A)
6	416495101	REVERSE LEVER
7	416551401	REVERSE ROD
8	416116001	E-RING (ETW-3)
9	416155001	AUTO THREADED LEVER SPRING
10	270 004240883	SET SCREW (M4×6)
11	416495201	REVERSE BUTTON
12	416547401	BH SELECTOR PLATE
13	416600901	BH SLIDE PLATE
14	416185901	WASHER(4.2×9×0.5)
15	416547601	BH SELECTOR PLATE
16	416121501	SET SCREW(M4×8 A)
17	416547701	BH CAM PLATE
18	416226601	SET SCREW (M4×5 B)
19	416605801	BH MOVEMENT CRANK COMPLETE
20	416547801	BH SELECT CRANK
21	270 004230056	SET SCREW (M3×5 B)
22	416638801	BH LEVER PLATE COMPLETE
23	270 003010033	BH LEVER CRANK
24	270 003010033	E-RING (ETW-3)
25	416495301	BH LEVER
26	416548201	BH LEVER SPRING PLATE
27	416408801	SET SCREW (M2×4 B)
28	416495401	BH LEVER BUTTON
29	416232001	BH POSITIONED PLATE
30	270 E1A1523003	BH POSITIONED PLATE
31	416121201	SET SCREW(M4×6 B)

D



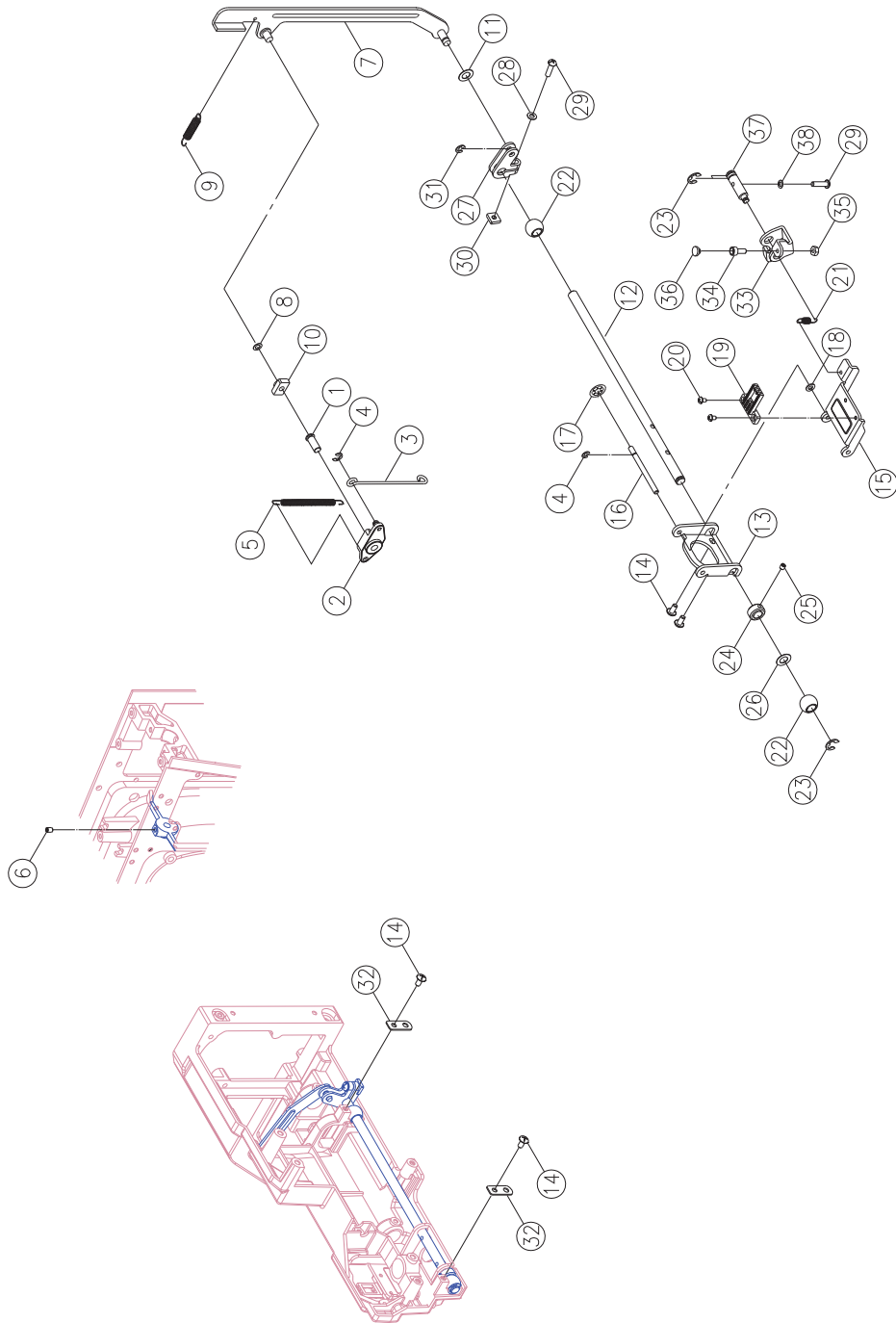
TAKE CARE THE CIRCLED PARTS FOR THE MODEL YOU WANT.

Pos	Part No.	Description
1	270 V61753002	NEEDLE BAR SUPPORTER
2	270 R12723003	NEEDLE BAR SUPPORTER PIN
3	270 003010056	E-RING (ETW-5)
4	416173601	NEEDLE BAR
5	416150301	NEEDLE CLAMP COMPLETE
6	416638901	NEEDLE BAR BRACKET (1)
7	416639001	NEEDLE BAR BRACKET (2)
8	416572001	PIN (ϕ 2×12)
9	416639101	NEEDLE BAR CRANK ROD
10	270 004106202	SET SCREW(9/64×40×6)
11	416122401	SET SCREW (M4×4 C)
12	416154901	AUTO THREADER STOPPER
13	416119201	SET SCREW (M3×6 A)
14	270 V61843002	AUTO THREADER SHAFT
15	270 M70043000	SPRING PIN (ϕ 2×6)
16	416117201	SPRING PIN (ϕ 2×14)
17	416157401	AUTO THREADER SHAFT SPRING
18	270 R10083000	AUTO THREADER LERER
19	416145801	AUTO THREADER
20	416155001	AUTO THREADER LERER SPRING
21	416121001	SET SCREW (M4×5 C)
22	416152701	NEEDLE BAR SUPPORTER SPRING
23		NEEDLE
24	416466901	PRESSER BAR LIFTER LEVER
25	416162101	PRESSER BAR LIFTER LEVER SCREW WASHER
26	416121101	SET SCREW (M4×10 B)
27	416173401	PRESSER BAR
28	270 V60153003	TENSION LEVER LIFTER
29	270 H10723003	TENSION LEVER LIFTER SPRING
30	416151501	PRESSER BAR BRACKET
31	416123801	SET SCREW(M6×5 C)
32	416173501	PRESSER BAR SPRING
33	416495501	SHANK COMPLETE
34	416118401	SHANK SCREW (9/64×40×8)
35	416128401	All purpose foot(J)
36	270 Z11993211	PRESSER BAR REGULATING SCREW FOR NON-EXPOSURE
36		PRESSER BAR REGULATING SCREW FOR EXPOSURE
37	416639201	NEEDLE BAR DRIVING ROD FOR 3221
37	270 V60175003	NEEDLE BAR DRIVING ROD COMPLETE FOR 3232
38	416408701	NEEDLE BAR DRIVING ROD PIN
39	416639301	ZIGZAG WIDTH CRANK ROD FOR 3232
40	416116001	E-RING (ETW-3) FOR 3232
41	416639401	ZIGZAG CONTACT SUPPORTER SHAFT FOR 3221
41	416639501	ZIGZAG CONTACT SUPPORTER SHAFT FOR 3232
42	416639601	ZIGZAG WIDTH REGULATING CAM BOX FOR 3232
43	416639701	ZIGZAG WIDTH SPRING FOR 3232
44	416116301	E-RING (ETW-5)
45	270 004300493	WASHER(ϕ 14× ϕ 6.2×3) FOR 3232
46	416639801	ZIGZAG REGULATOR CRANK FOR 3232
46	416639901	ZIGZAG REGULATOR CRANK FOR 3232
47	416185501	SET SCREW (M4×9) FOR 3232
48	416126801	NUT (M4×0.7) FOR 3232
49	416640001	ROD



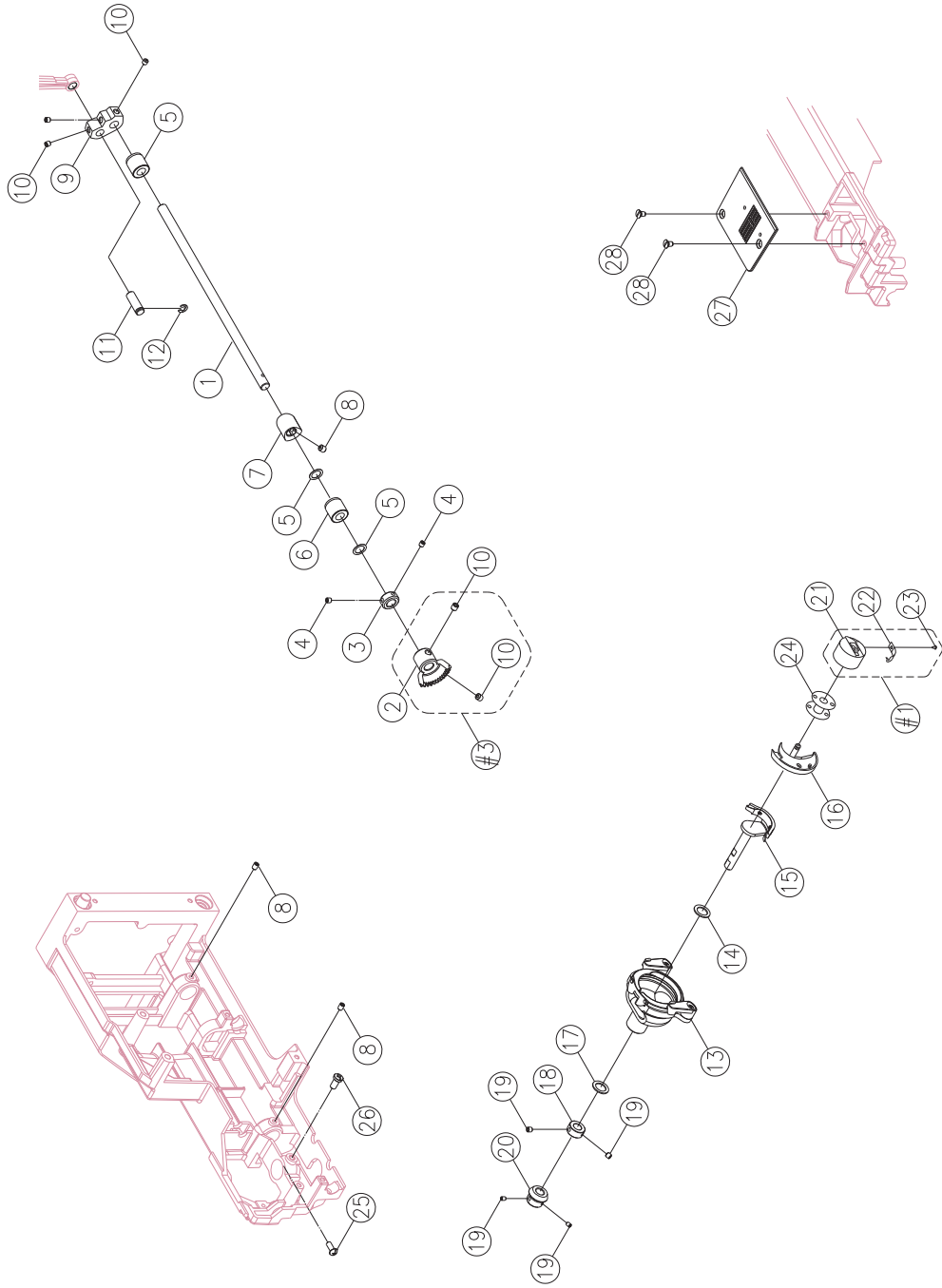
TAKE CARE THE CIRCLED PARTS FOR THE MODEL YOU WANT.

Pos	Part No.	Description	
1	N/A	ARM	
2	416519801	DIAL TENSION SUPPORTER PLATE	
3	416117501	SPRING PIN (ϕ 3×10)	
4	416640101	DIAL TENSION WAFT PLATE	
5	416116101	E-RING (ETW-4)	
6	416153601	DIAL TENSION DISC (1)	
7	416146301	DIAL TENSION DISC	
8	416156701	DIAL TENSION SPRING REGULATOR	
9	270 K50183003	DIAL TENSION SPRING	
10	416153801	DIAL TENSION REGULATOR	
11	270 V60273006	DIAL TENSION SPRING PLATE	
12	416498301	DIAL TENSION KNOB	
13	416126001	WASHER (WW-5)	
14	416124501	WASHER (ϕ 5.2× ϕ 10×0.5)	
15	416495601	DIAL TENSION SUPPORTER PLATE COVER	
16	416198701	THREAD GUIDE	
17	270 V60303000	DIAL TENSION SPRING	
18	416116701	CS-RING (CSTW-5)	
19	416121901	SET SCREW (M4×6 D)	
20	416121701	SET SCREW (M4×15 B)	
21	416151701	DIAL TENSION GUIDE SPRING TUBE	
22	416124101	WASHER (ϕ 4.2× ϕ 8×0.8)	
23	270 004241412	SET SCREW (M4×0.7 L42)	
24	416121201	SET SCREW(M4×6 B)	
25	416161901	TENSION LEVER REGULATING PLATE	
26	416640201	BOBBIN WINDER FRAME PLATE COMPLETE	
27	270 K6A0555000	BOBBIN WINDER CRANK COMPLETE	
28	416116301	E-RING (ETW-5)	
29	270 K6A0573003	BOBBIN WINDER CRANK SPRING	
30	416121501	SET SCREW(M4×8 A)	
31	416640301	ZIGZAG WIDTH DIAL PLATE	FOR 3232
32	416186901	WASHER	FOR 3232
33	416495701	ZIGZAG WIDTH DIAL	FOR 3232
34	416602901	ZIGZAG WIDTH CRANK	FOR 3232
35	416185901	WASHER (4.2×10×0.5)	FOR 3232
36	416121101	SET SCREW (M4×10 B)	FOR 3232
37	416116001	E-RING (ETW-3)	FOR 3232
38	416152201	CARRYING HANDLE PLATE	

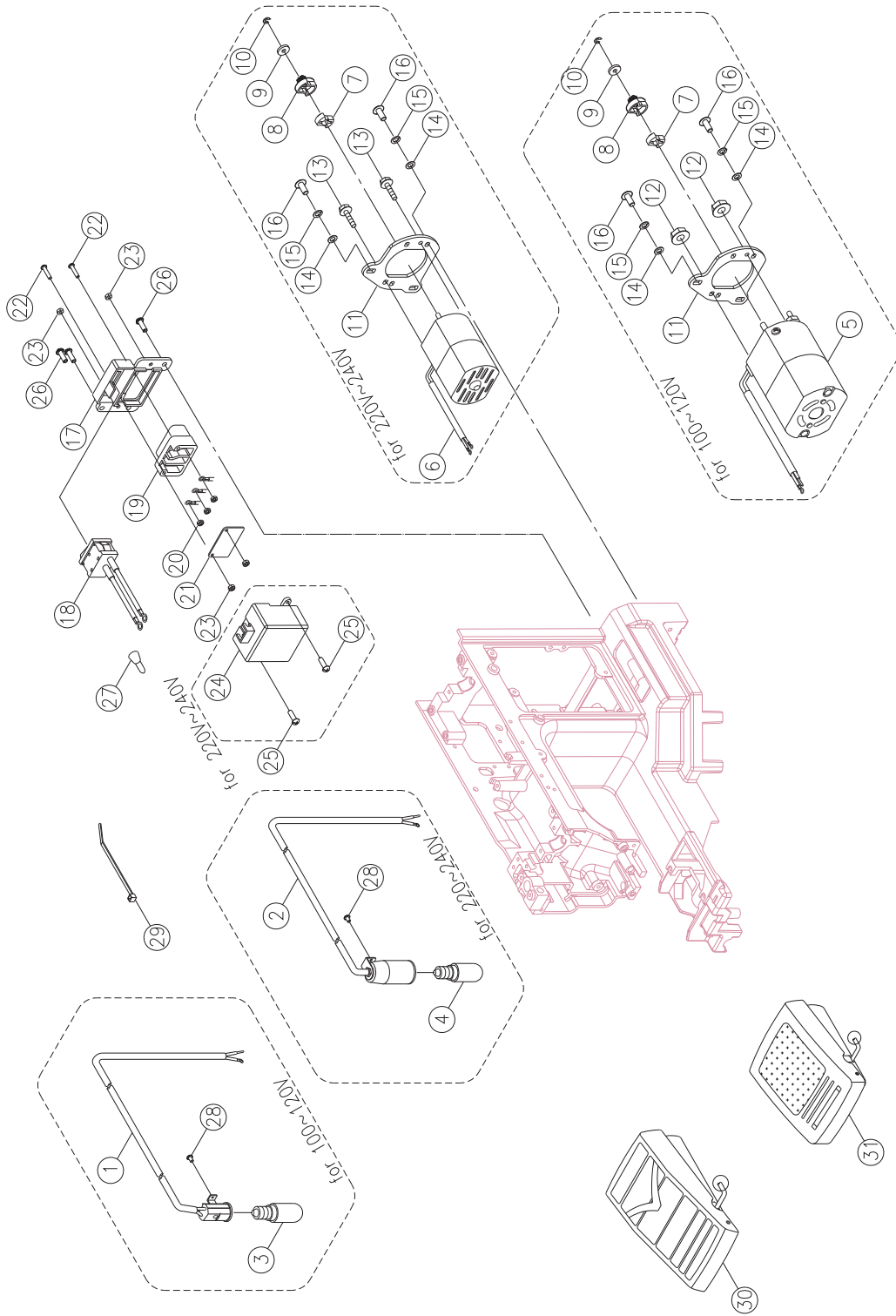


Pos	Part No.	Description
1	416640401	FEED REGULATING SHAFT
2	416640501	FEED REGULATING
3	416640601	FEED ROD
4	270 003010046	E-RING (ETW-4)
5	416640701	FEED REGULATING SPRING
6	416122101	SET SCREW (M4×6 C)
7	270 V60453003	FORK ROD
8	270 004400180	ENDURE ATTRITION WASHER (5.7×10.2×0.5)
9	270 V60463003	FORK ROD SPRING
10	270 V11533000	FEED REGULATING BLOCK
11	270 004400450	ENDURE ATTRITION WASHER (5.5×12×0.25)
12	270 V60483000	FEED ROCK SHAFT
13	270 V60493003	FEET ROCK FRAME
14	416121501	SET SCREW (M4×8 A)
15	270 V60503003	FEED DOG FRAME
16	270 V60513003	FEED DOG FRAME SHAFT
17	416116001	E-RING (ETW-3)
18	270 003090043	NUT (SPN-4)
19	416171601	FEET DOG
20	270 004230056	SET SCREW (M3×5 B)
21	270 V60533003	FEED DOG FRAME SPRING
22	270 V60343000	FEED ROCK BUSHING
23	416116401	E-RING (ETW-6)
24	270 G2D0335000	PATTERN CAM SHAFT COLLAR
25	416122401	SET SCREW (M4×4 C)
26	270 004400410	ENDURE ATTRITION WASHER (8.2×12×0.25)
27	270 V60553003	FEED ROCK CRANK
28	270 004300093	WASHER (4×8×0.5)
29	416121701	SET SCREW (M4×15 B)
30	270 004840073	FEED ROCK CRANK NUT (M4)
31	416116101	E-RING (ETW-4)
32	270 V60563003	BUSHING HOLDER PLATE
33	270 V60583003	FEED LIFTING ROCK CRANK
34	270 004250323	SEW SCREW
35	270 004840022	NUT (M4 t=3)
36	270 K81243000	SEW SCREW KNOB
37	416164901	FEED LIFTING ROCK SHAFT
38	270 004600026	WASHER (4.2×7.2×1.2)
39	416124101	WASHER (4.2×8×0.8)

G

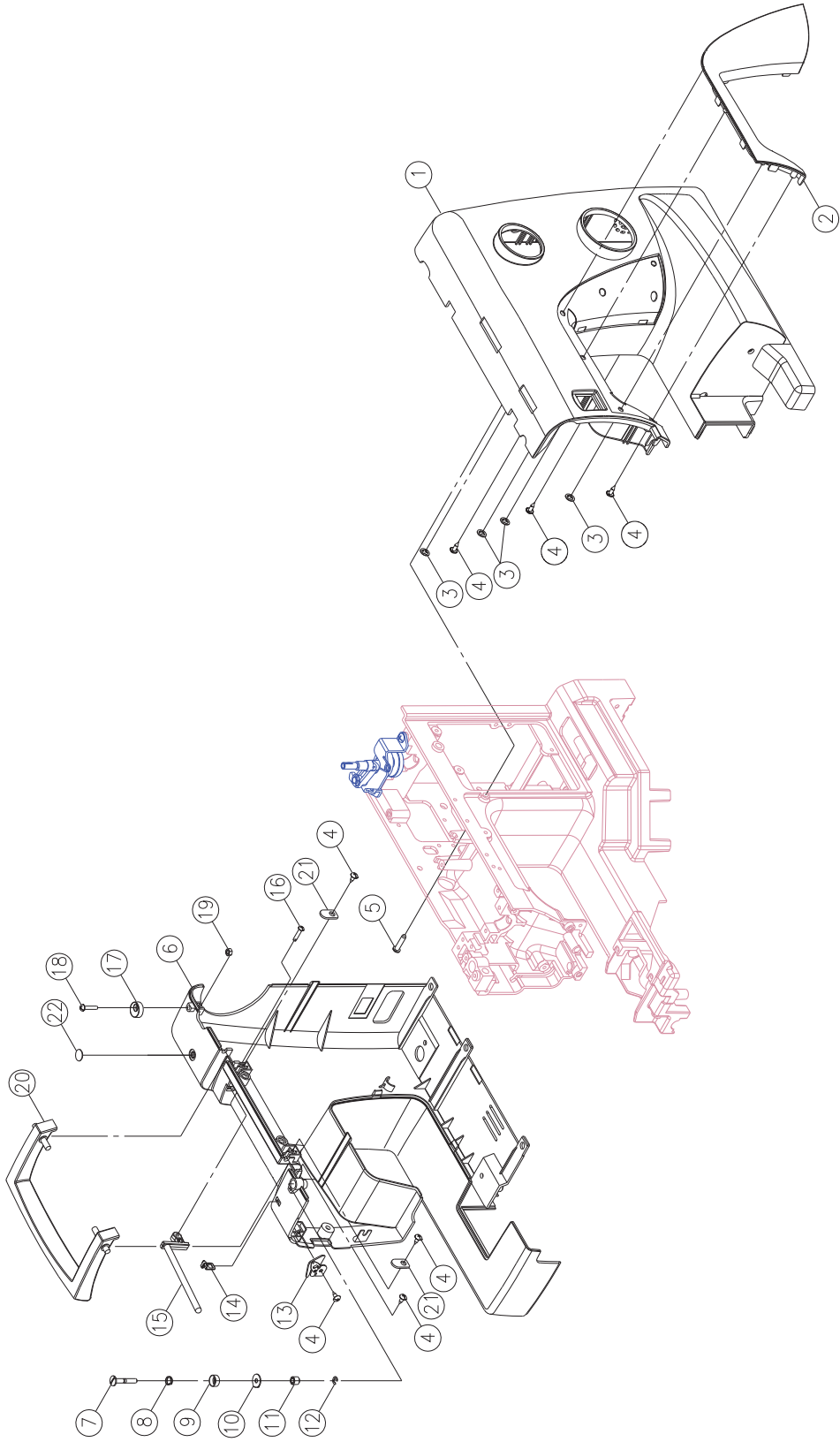


Pos	Part No.	Description
1	270 V620223000	LOWER SHAFT
2	270 G4A1573000	LOWER SHAFT GEAR
3	416520801	LOWER SHAFT COLLAR
4	416122401	SET SCREW (M4X4C)
5	270 004400410	ENDURE ATTRITION WASHER (8.2X12X0.25)
6	416141701	FEED ROCK BUSHING
7	270 V6E1123000	FEED LIFTING ROCK CAM
8	416122101	SET SCREW (M4X6C)
9	270 V60363000	CRANK CONNECTING ROD CRANK
10	270 004250203	SET SCREW (M5X5C)
11	270 V10833003	CRANK CONNECTING ROD CRANK PIN
12	416116301	E-RING (ETW-5)
13	270 V10995000	OPEN SHUTTLE RACE COMPLETE
14	270 004400800	ENDURE ATTRITION WASHER (7.6×12×0.13)
15	270 K81125000	SHUTTLE DRIVER COMPLETE
16	416392101	SHUTTLE HOOK (4.6MM)
17	270 004400210	ENDURE ATTRITION WASHER (8.2×16×0.5)
18	270 G2D0325000	SHUTTLE DRIVER SHAFT COLLAR
19	270 004107293	SET SCREW(11/64×40×4)
20	270 G4A1583000	SHUTTLE DRIVER SHAFT GEAR
21	416153501	BOBBIN CASE
22	270 H13803001	BOBBIN CASE SPRING
23	416152601	BOBBIN CASE SPRING SET SCREW
24	416127601	BOBBIN
25	270 004240046	SET SCREW (M4X10B)
26	270 004250151	SET SCREW (M5X10B)
27	416171501	NEEDLE PLATE
28	416122901	NEEDLE PLATE COMPLETE SET SCREW
#1	416153401	BOBBIN CASE COMPLETE
#2	416245801	LOWER SHAFT GEAR COMPLETE

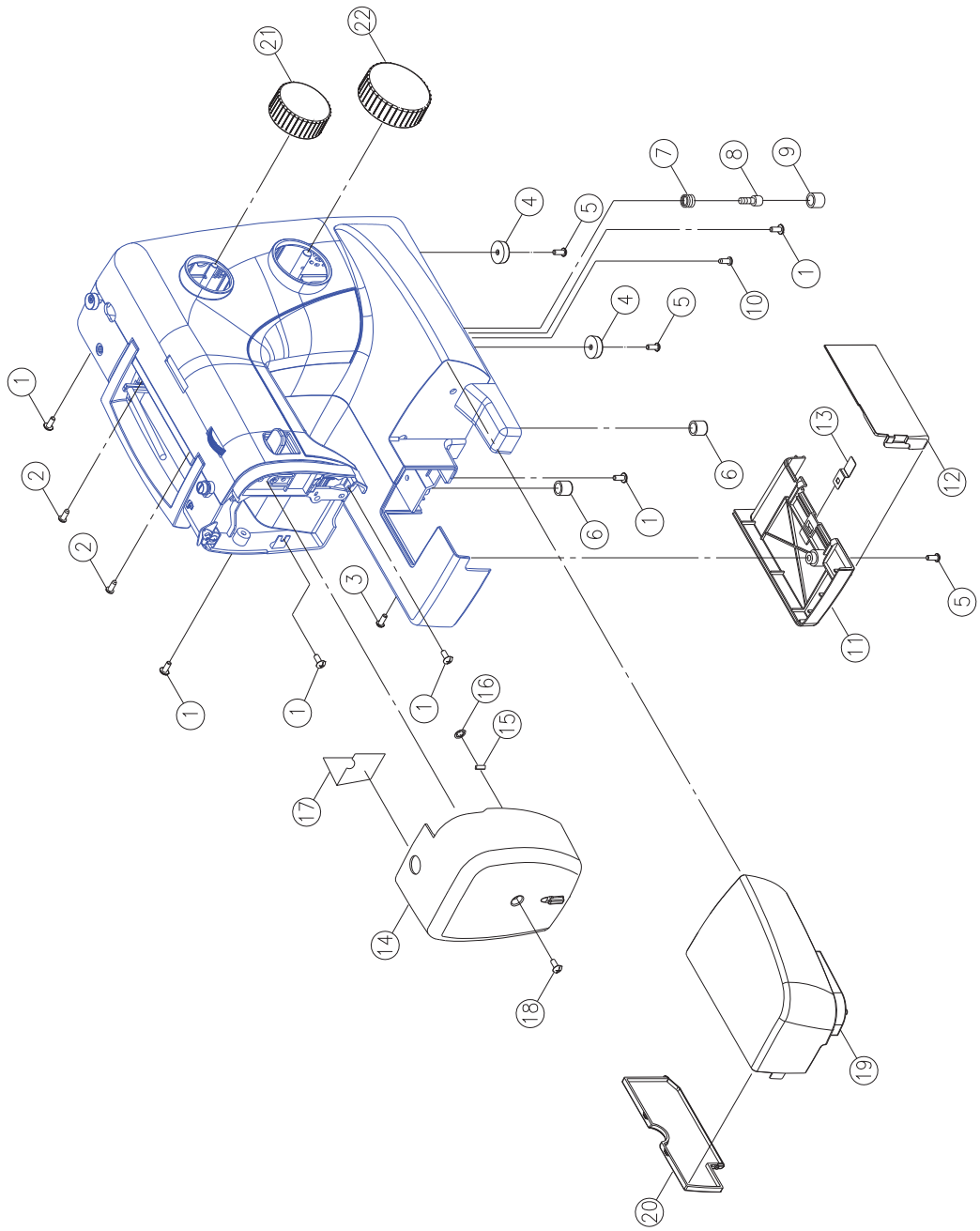


All voltage application & spec. please check next page.

Pos	Part No.	Description	
1	416428401	LAMP HOLDER COMPLETE	FOR 100~120V
2	416428501	LAMP HOLDER COMPLETE	FOR 220~240V
3	416467701	LAMP (15W) FOR 120V	
4		LAMP (15W E-12) FOR 220V	
4	416467801	LAMP (15W E-12) FOR 230V~240V	
5		MOTOR COMPLETE (HF-07150)	FOR 110V / TAIWAN
5	270 001351109	MOTOR COMPLETE (HF-07150)	FOR 120V / US
6		MOTOR COMPLETE (HF-06250)	FOR 220V / BRAZIL
6	270 001V881001	MOTOR COMPLETE (HF-07250)	FOR 220V / KOREA
6	416430001	MOTOR COMPLETE (HF-07250)	FOR 230V / E.U.R
6	416528101	MOTOR COMPLETE (HF-07250)	FOR 230V / DUBAI
6	270 001V881008	MOTOR COMPLETE (HF-07250)	FOR 230V / SAUDI ARABIA
6	270 001V881003	MOTOR COMPLETE (HF-09250)	FOR 240V / U.K
6	270 001V881005	MOTOR COMPLETE (HF-09250)	FOR 240V / SAA
7	416129401	CUSHION RUBBER	
8	270 002396029	BELT WHEEL	
9	416114001	MOTOR FEED REGULATOR COLLAR	
10	416116001	E-RING (ETW-3)	
11	416521415	MOTOR BRACKET	
12	270 004840131	NUT (M4 T=5.5) FOR 100~120V	
13	416521501	SET SCREW (M4×10.2)	FOR 220~240V
14	416124301	WASHER (5.4×10×0.9)	
15	416126201	SPRING WASHER (5.2×9×1)	
16	416224801	SET SCREW (M5×12)	
17	416640801	RECEPTACLE HOLDER	
18	416115001	SWITCH ASS'Y	
19	416184701	receptacle	
20	270 004840120	NUT (M3×4)	
21	416183601	CONCERT INSULATION PLATE	FOR 220~240V
22	416184901	SET SCREW (M3×20 B)	
23	416302901	NUT (M3 T=2.3)	
24	270 002248129	RECEPTACLE HOLDER COVER	FOR 220V~240V
25	416119701	SET SCREW (M3×8 B)	FOR 220V~240V
26	416121601	SET SCREW (M4×12 B)	
27	416133001	END TERMED	
28	270 004230056	SET SCREW (M3×5 B)	
29	416113901	CORD CLIP	
30	416640901	FOOT CONTROLLER (KD-1902)	FOR 110V / BRAZIL
30	416183301	FOOT CONTROLLER (KD-1902)	FOR 120V /US
31	416641001	FOOT CONTROLLER (KD-2902)	FOR 220V / BRAZIL
31		FOOT CONTROLLER (KD-2902)	FOR 220V / SAUDI ARABIA
31	270 002V881004	FOOT CONTROLLER (KD-2902)	FOR 220V / KOREA
31	416183101	FOOT CONTROLLER (KD-2902)	FOR 230V /E.U.R
31		FOOT CONTROLLER (KD-2902)	FOR 230V / SOUTH AFRICA
31		FOOT CONTROLLER (KD-2902)	FOR 230V / DUBAI
31		FOOT CONTROLLER (KD-2902)	FOR 230V / ARGENTINA
31	270 002V881002	FOOT CONTROLLER (KD-2902)	FOR 240V / U.K
31	416183701	FOOT CONTROLLER (KD-2902)	FOR 240V / SAA

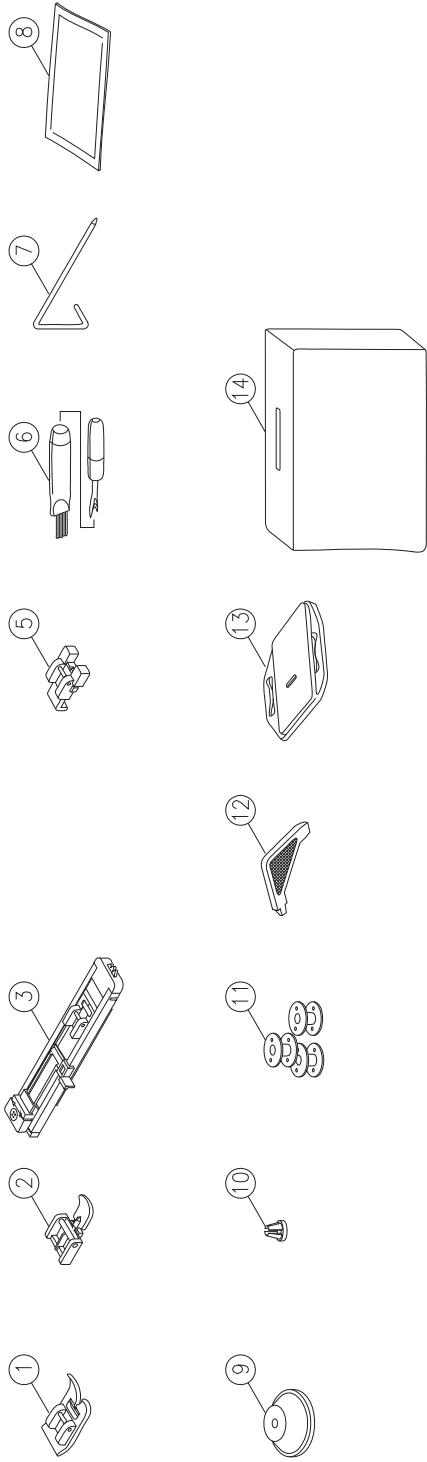


Pos	Part No.	Description	
1	416495801	FRONT COVER	FOR 3221
1	416496001	FRONT COVER	FOR 3232
2	416495901	FRONT DECORATED PLATE	FOR 3221
2	416496101	FRONT DECORATED PLATE	FOR 3232
3	270 003020043	CS-RING (CSTW-4)	
4	270 004230216	SET SCREW (M3×8.5)	
5	270 004240186	SET SCREW (M4×15 B)	
6	416496201	BACK COVER	
7	416168101	BOBBIN WINDER THREAD GUIDE ADJUSTING	
8	416152401	BOBBIN WINDER THREAD GUIDE SPRING	
9	416152301	BOBBIN WINDER SPRING DISC	
10	416553801	BOBBIN WINDER THREAD GUIDE	
11	416146501	SPACER	
12	270 003010033	RING (ETW-3)	
13	416641101	THREAD GUIDE COMPLETE	
14	416145501	THREAD GUIDE	
15	416169501	SPOOL PIN BASE	
16	416641201	SET SCREW (M4×35 B)	
17	270 K6B0393000	BOBBIN WINDER	
18	416174001	SET SCREW (9/64×40×16)	
19	416126301	NUT (9/64×40 t=3)	
20	416496301	HANDLE	
21	416152201	SET WASHER	
22	270 V410123210	PLATE STICKER	

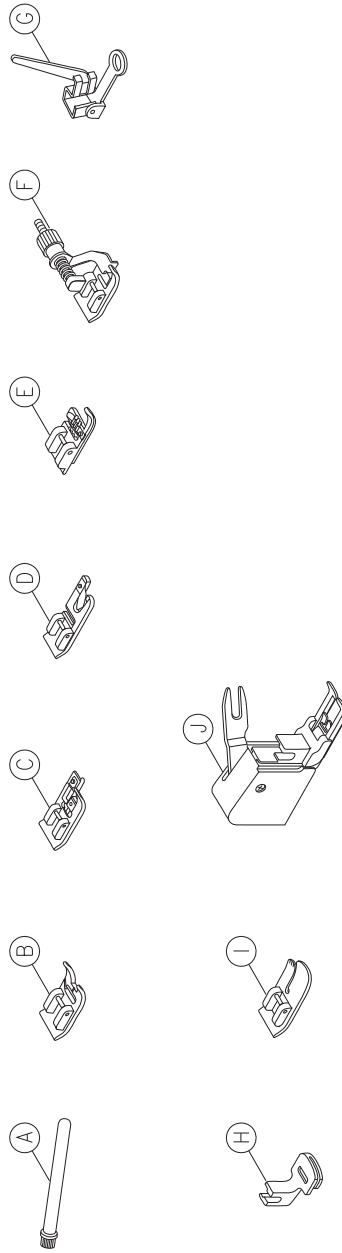


Pos	Part No.	Description	
1	416121501	SET SCREW (M4X8 A)	
2	416122201	SET SCREW (M4 X 10 B)	
3	416121601	SET SCREW (M4×12 B)	
4	270 J3141300	FREE ARM BASE CUSHION RUBBER	
5	416121101	SET SCREW (M4 X 10 B)	
6	416496401	FREE ARM BASE CUSHION RUBBER	
7	416154601	BASE PLATE ADJUSTMENT SCREW	
8	416154401	BASE PLATE ADJUSTMENT SCREW SPRING	
9	270 K6A006300	FREE ARM BASE CUSHION	
10	270 004240166	SET SCREW (M4X8 A)	
11	416496501	BED COVER	
12	416496601	HOOK COVER	
13	416421301	HOOK COVER SPRING	
14	416496701	FACE PLATE(WITHOUT HOLE FOR REGULATING)	
14		FACE PLATE(HOLE FOR REGULATING)	
15	416172501	CUTTER	
16	416116701	CS-RING (CSTW-5)	
17	416497701	HEAT RESISTANT PLATE	
18	416185401	SET SCREW (M4X10 A)	
19	416496801	SEWING TABLE BODY	
20	416496901	SEWING TABLE BODY COVER	
20	416497001	STITCH LENGTH DIAL	FOR 3221
21	416497101	STITCH LENGTH DIAL	FOR 3232
22	416497201	PATTERN DIAL	FOR 3221
22	416497301	PATTERN DIAL	FOR 3232

STANDARD ACCESSORIES



OPTIONAL ACCESSORIES



Pos	Part No.	Description	
1	416128401	ALL PURPOSE FOOT (J)	
2	416128701	ZIPPER FOOT (I)	
3	270 006Q6A0150	BUTTONHOLE FOOT (B)	FOR 3221.3232
4			
5	416284501	BUTTON SEWING FOOT (H)	
6	416127701	SEAM RIPPER / BRUSH	
7	416497401	EDGE / QUILTING GUIDE	
8		PACK OF NEEDLES	
9	270 TA10943209S	SPOOL HOLDER (LARGE)	
10	416497501	SPOOL HOLDER (SMALL)	
11	416127601	BOBBIN	
12	270 006093009	L-SCREWDRIVER	
13	416127901	DARNING PLATE	
14	416497601	SOFT COVER	
15	416636701	INSTR MAN, 3232	

Optional accessories

Pos	Part No.	Description
A	270 R60033210	SECOND SPOOL PIN
B	416128301	SATIN STITCH FOOT
C	270 006803008	OVERCASTTING FOOT (G)
D	270 006800008	HEMMER FOOT
E	270 006810008	CORDING FOOT
F	416128501	BLIND HEM FOOT
G	416127401	DARNING / EMBROIDERY FOOT
H	270 006917008	GATHERING FOOT
I	416129101	QUILTING FOOT
J	270 006185005	WALKING FOOT