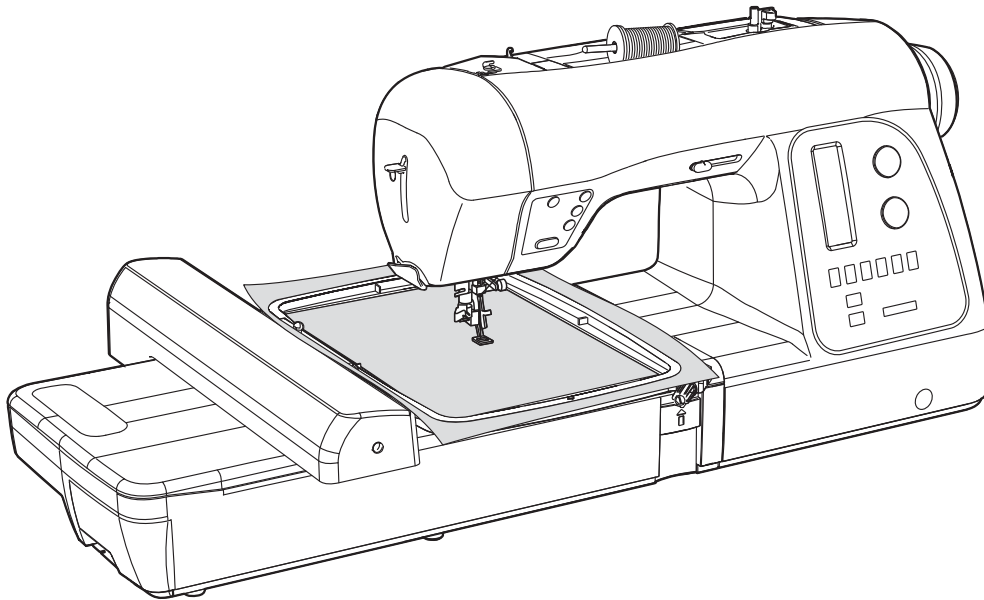


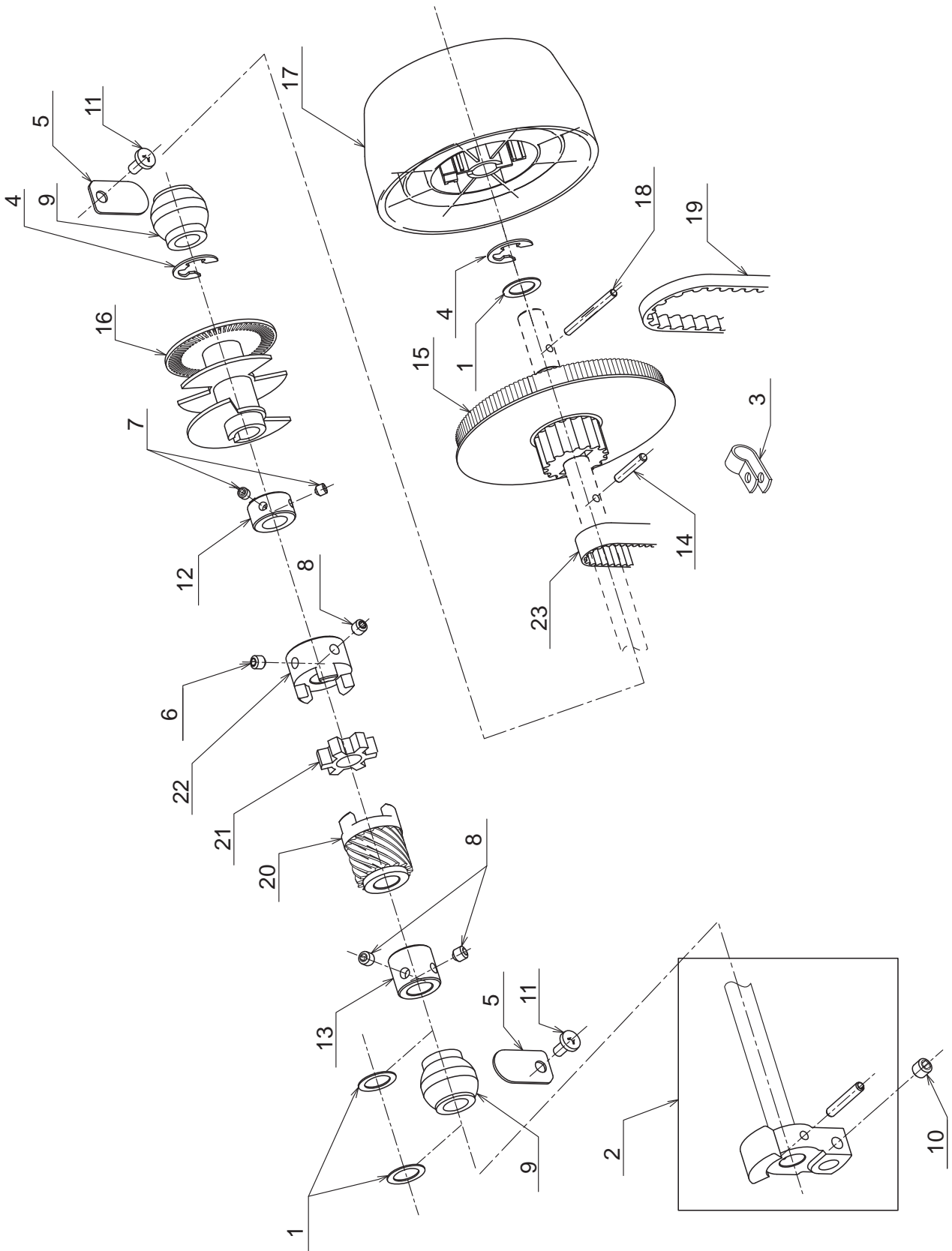


SINGER®

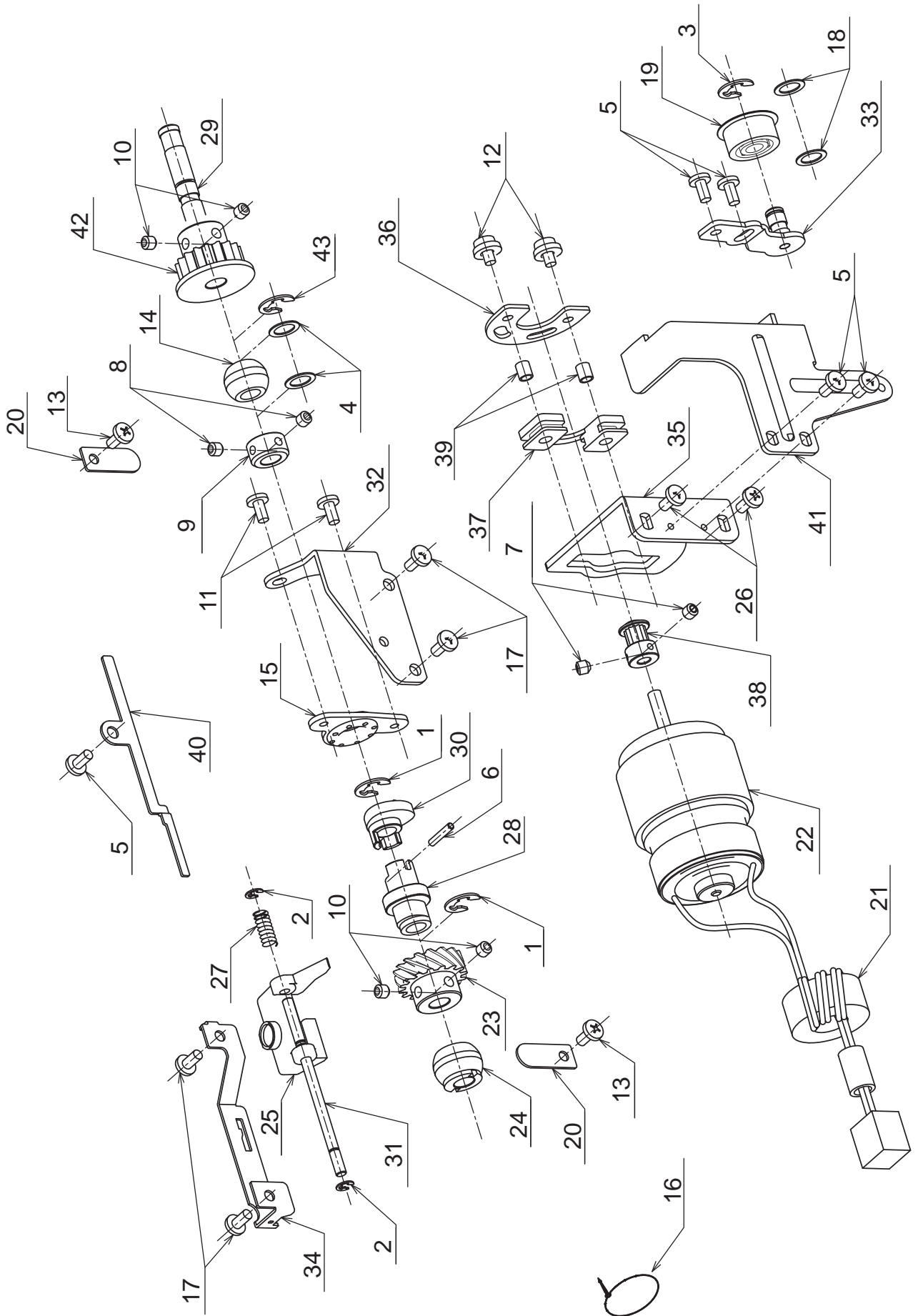
XL-580



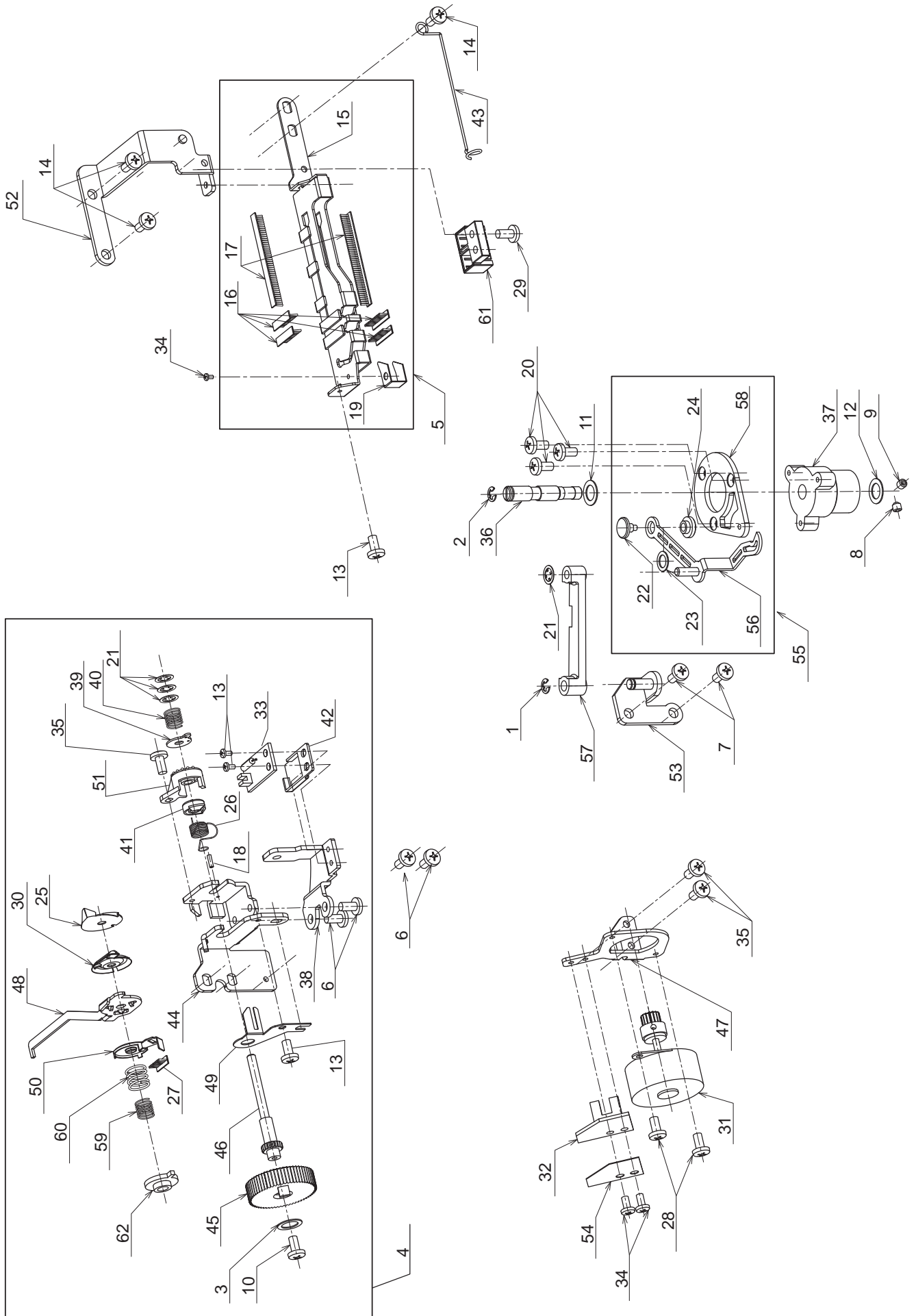
Liste de pièces Lista de Piezas Parts List



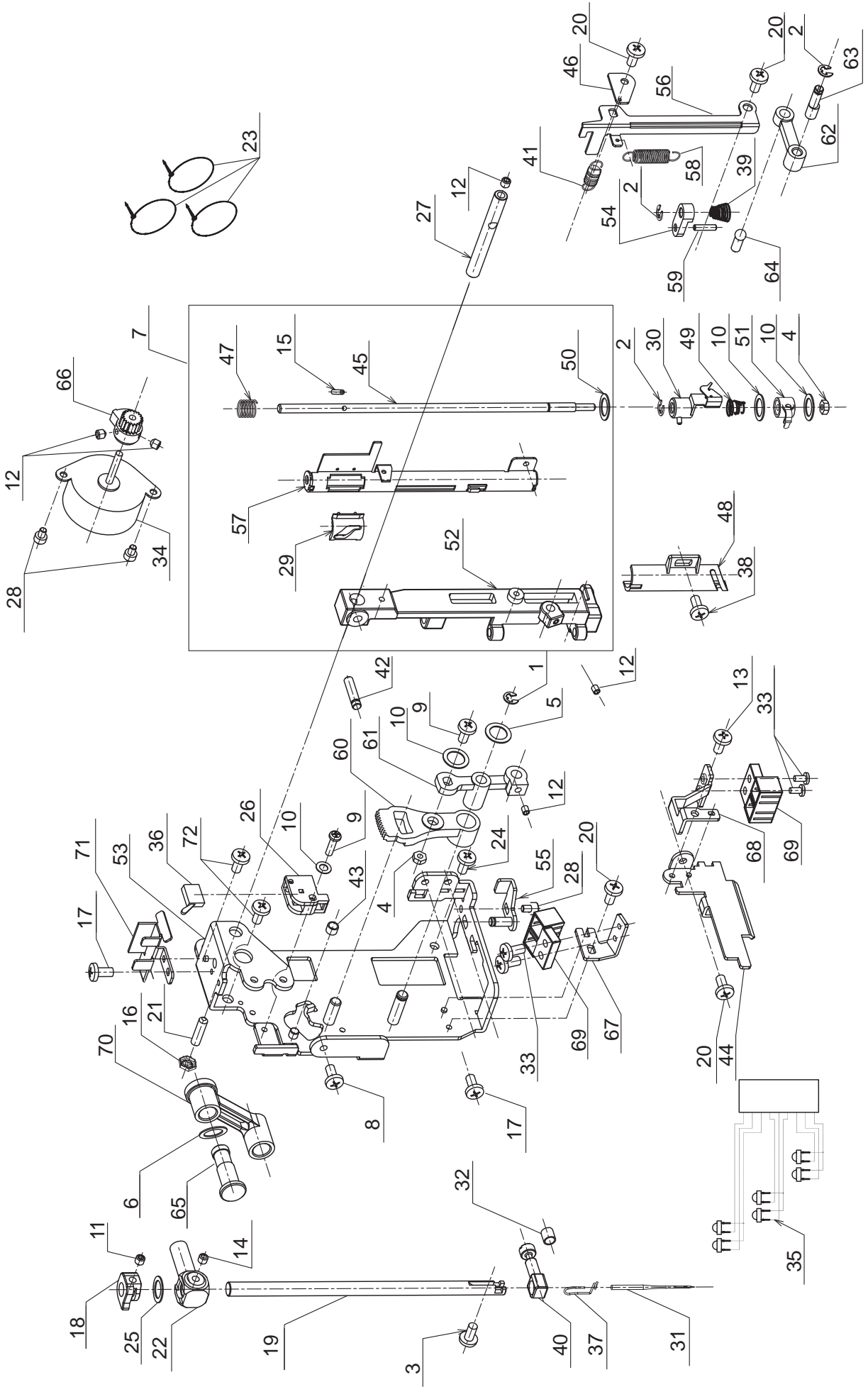
Pos	Part No	Description
1	270 043389	THRUST WASHER
2	416593301	MAIN SHAFT WITH BALANCER
3	270 058741	CORD GUARD
4	416774601	E9 CLIP-ON-WASHER
5	270 066235	SECURING PLATE
6	270 066474	M5 SCREW
7	270 066725	M4 SCREW
8	270 067447	M5 SCREW
9	270 068152	BALL BUSH
10	270 073371	M6 SCREW
11	270 073434	M4 PHILIPS SCREW
12	270 085013	POSITIONING COLLAR
13	416558201	COLLAR
14	416433401	SPRING PIN
15	416433301	DOUBLE T PULLEY
16	416433701	ENCODER
17	416433101	PULLEY
18	416433201	PIN
19	416433501	DRIVING BELT
20	416558601	MAIN SHAFT SCREW GEAR
21	416665101	RUBBER CUSHION
22	416665201	MAIN SHAFT SCREW GEAR FIXING RING
23	416433601	TIMING BELT



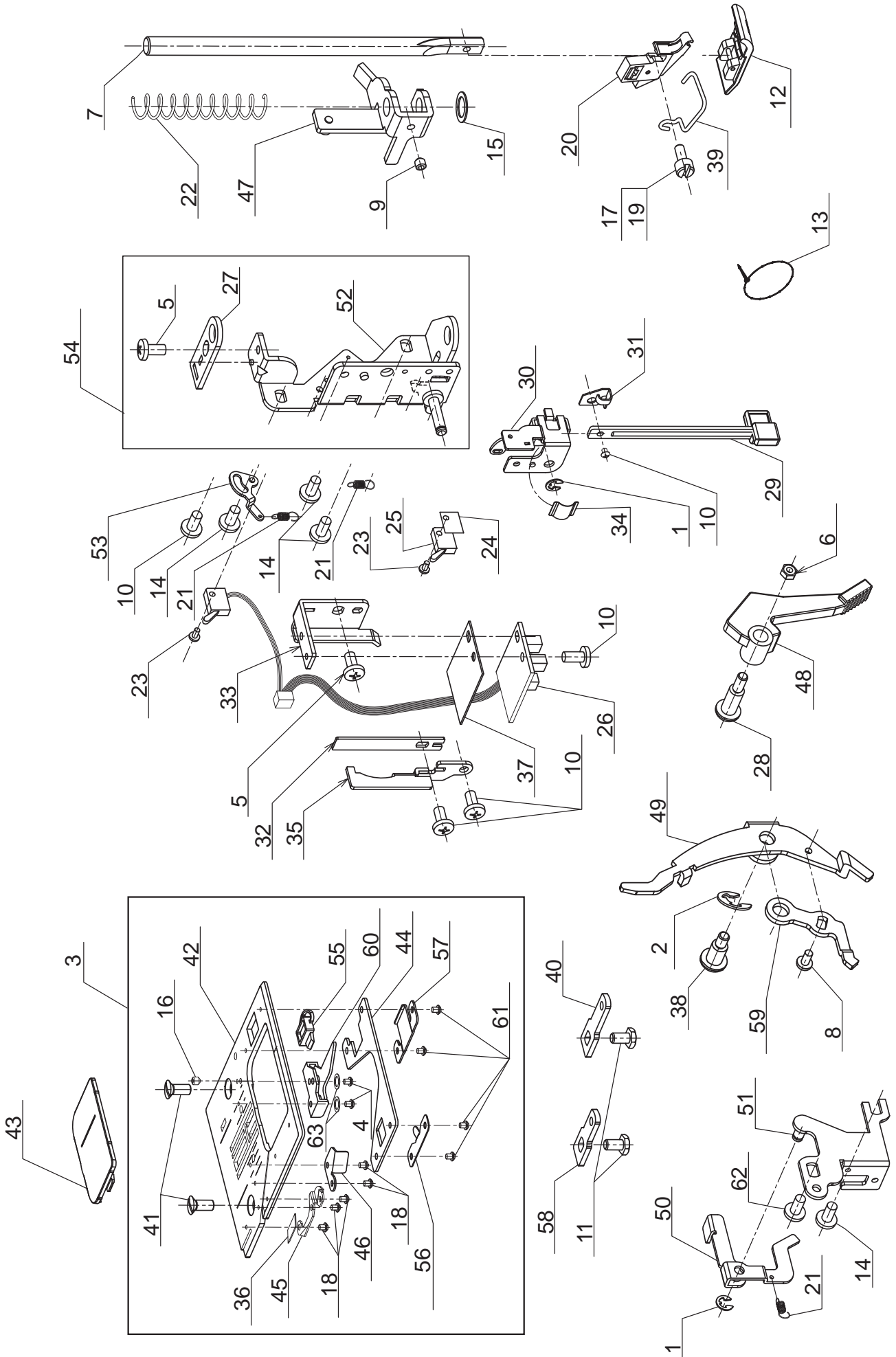
Pos	Part No	Description
1	270 001504	E7 CLIP-ON-WASHER
2	270 001520	E3 CLIP-ON-WASHER
3	270 010963	E6 CLIP-ON-WASHER
4	270 063501	WASHER
5	270 061222	M4 PHILIPS SCREW
6	270 064179	SPRING PIN
7	270 064653	M3 SCREW
8	270 066725	M4 SCREW
9	270 067444	COLLAR
10	270 067447	M5 SCREW
11	270 072367	M4 CP SCREW
12	270 072988	CP BOLT
13	270 073434	M4 PHILIPS SCREW
14	270 076141	BALL METAL
15	270 076488	LOWER SHAFT GUIDE
16	270 077041	UNITY FASTENER
17	270 077042	M4 PHILLIPS SCREW
18	270 077056	WASHER
19	270 085138	TENSION ROLLER
20	270 085247	SECURING PLATE
21	270 085318	FERRITE RING
22	416486301	MAIN MOTOR ASSY.
23	416434001	BEVEL GEAR
24	270 087170	BALL METAL
25	270 087226	VERTICAL FEED BLOCK
26	416821901	CP BOLT
27	270 087433	TORSION SPRING
28	270 088115	LIFTING CAM
29	416434101	LOWER SHAFT
30	416434201	FEED CAM
31	416774701	VERTICAL SHAFT
32	416774801	SHAFT SUPPORT
33	416434301	TENSION ROLLER SUPPORT
34	416774901	DROP LEVER GUIDE
35	416775001	MAIN MOTOR SUPPORT
36	416775101	M BRACKET
37	416434401	M CUSHION
38	416434501	MOTOR PULLEY
39	416434601	PIPE BUSH
40	416775201	CORD GUIDE
41	416775301	SECURING PLATE
42	416434701	LOWER SHAFT BELT PULLEY
43	416775401	C8 CLIP-ON-WASHER



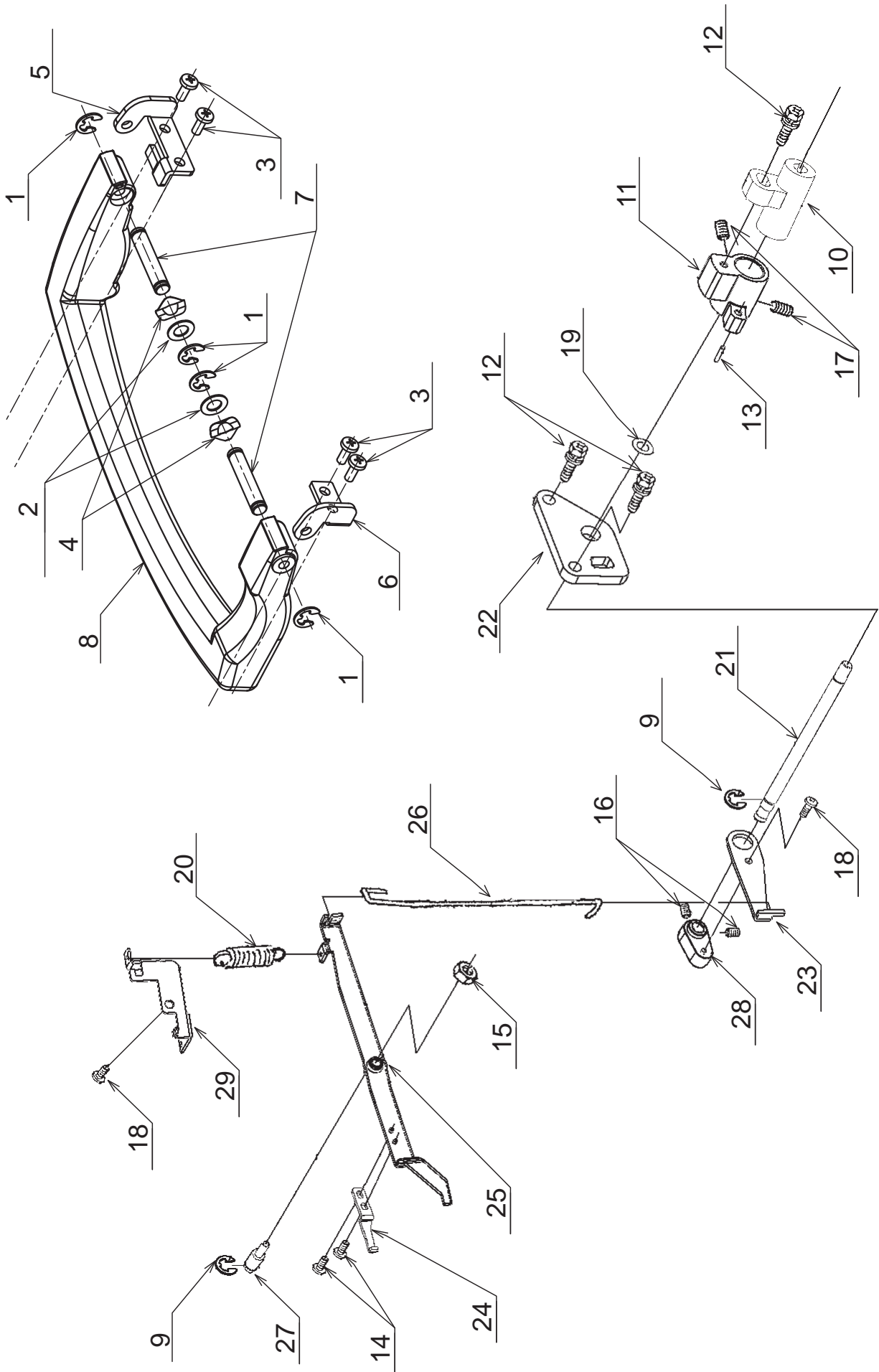
Pos	Part No	Description
1	270 001513	E4 CLIP-ON-WASHER
2	270 008400	E5 CLIP-ON-WASHER
3	270 031246	WASHER
4	416434801	TENSION SET
5	416434901	THREAD GUIDE SET
6	270 061222	M4 PHILIPS SCREW
7	270 061224	M4 PHILIPS SCREW
8	270 062307	M4 SCREW
9	270 066052	M4 SCREW
10	415404701	M3 PHILIPS SCREW
11	416435001	THRUST WASHER
12	416558001	WASHER
13	270 076317	M3 PHILIPS SCREW
14	270 077042	M4 PHILLIPS SCREW
15	416434901	THREAD GUIDE
16	416434901	BRUSH
17	416434901	BRUSH
18	416434801	PIN
19	416434901	THREAD GUIDE PLATE
20	416435101	TAPPING SCREW
21	270 077507	CLIP-ON-WASHER
22	416435201	TAKE UP LEVER PIN
23	416435201	WASHER
24	416435201	BUSH
25	416775501	TENSION DISC (R)
26	416434801	SPRING
27	416775601	BRUSH
28	270 080110	BOLT
29	270 085263	M3 SCREW
30	416775701	TENSION DISC (L)
31	416435401	MOTOR
32	416435501	HARNESS
33	416435301	NEDDLE THEARD SENSOR HARNESS
34	270 086376	M3 SCREW
35	270 087256	M3 PHILIPS SCREW
36	270 087256	STUD SCREW
37	416435601	GEAR
38	416435701	BRACKET
39	416434801	ADJUST PLATE
40	416434801	COMPRESSION SPRING
41	416434801	CHECK SPRING
42	416434801	INSULATION BOX
43	416434801	GUIDE
44	416435801	TENSION SUPPORT
45	416434801	TENSION GEAR
46	416434801	TENSION SHAFT
47	416775801	TENSION MOTOR BRACKET
48	416434801	TENSION RELEASE PLATE
49	416434801	TENSION SHAFT PLATE
50	416434801	SPRING SUPPORT
51	416434801	CHECK SPRING
52	416775901	THREAD GUIDE PLATE SUPPORT
53	416558401	TAKE-UP LEVER SUPPORT
54	416776001	INSULATION SHEET
55	416435201	TAKE-UP LEVER UNIT
56	416435201	TAKE-UP LEVER
57	416435901	TAKE-UP LEVER ARM
58	416435201	TAKE-UP LEVER CRANK
59	416434801	COMPRESSION SPRING (SMALL)
60	416434801	COMPRESSION SPRING (LARGE)
61	416436001	LED LIGHT CASE
62	416434801	TENSION ADJUSTING PLATE



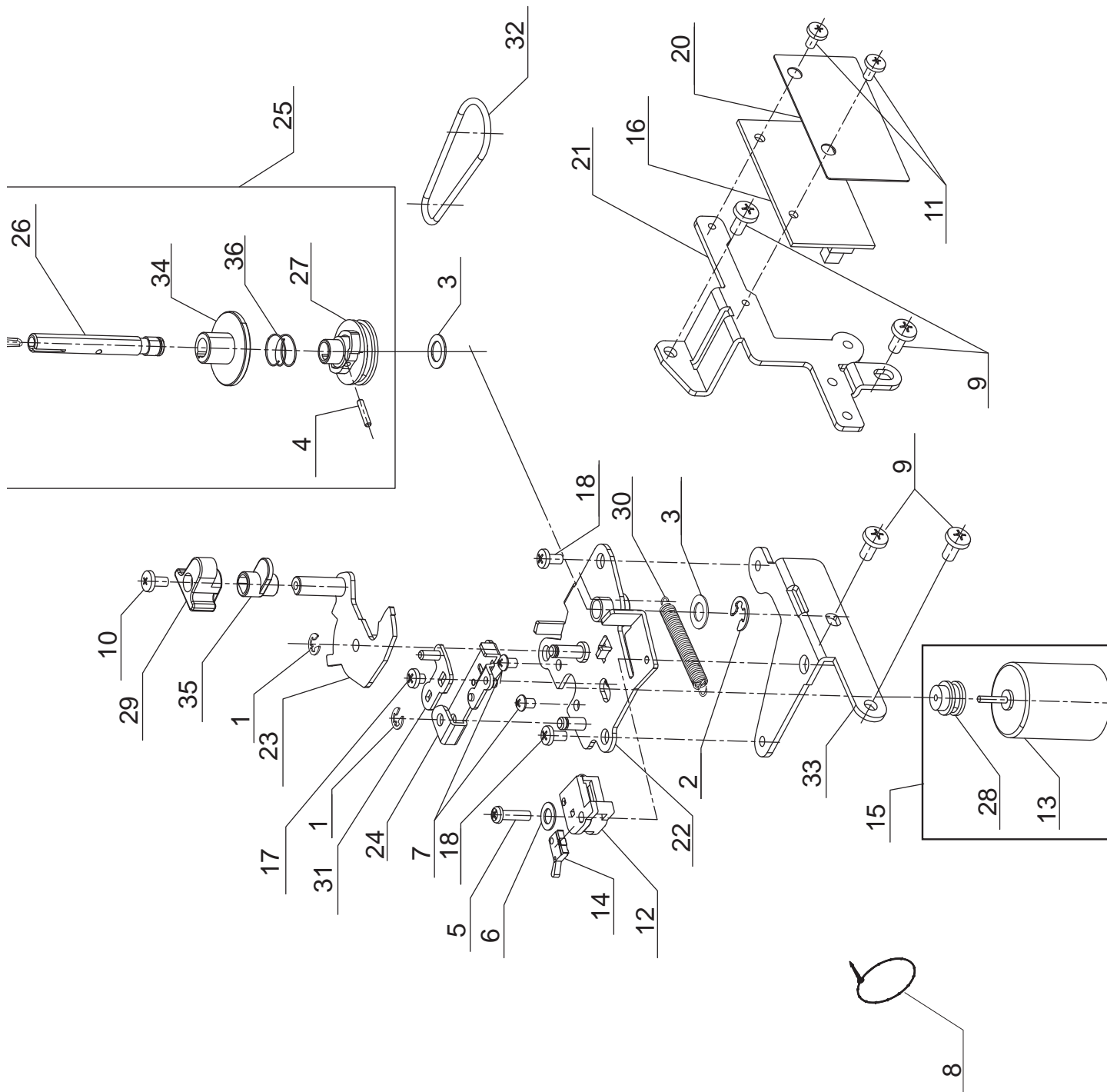
Pos	Part No	Description
1	270 001513	E4 CLIP-ON-WASHER
2	270 001520	E3 CLIP-ON-WASHER
3	270 026934	#8 SCREW
4	270 026934	M3 NUT
5	270 031733	WASHER
6	270 043390	THRUST WASHER
7	416437801	NEEDLE BAR SUPPORT SET
8	270 061222	M4 PHILIPS SCREW
9	270 063796	M3 SCREW
10	270 063805	WASHER
11	270 064359	M4 SCREW
12	270 064653	M3 SCREW
13	415404701	M3 PHILIPS SCREW
14	270 066725	M4 SCREW
15	270 068343	PIN
16	270 073299	M4 TORQUE NUT
17	270 073900	M3 PHILIPS SCREW
18	270 075024	STOPPER
19	270 076183	NEEDLE BAR
20	270 076317	M3 PHILIPS SCREW
21	270 076324	M4 SCREW
22	270 077037	NEEDLE BAR CLAMP
23	270 077041	UNITY FASTENER
24	270 077042	M4 PHILLIPS SCREW
25	270 077043	FELT
26	270 077527	SENSOR COVER
27	270 080095	STRAIGHT PIN
28	270 080110	BOLT
29	270 080296	THREAD GUIDE C
30	270 080297	TWIN THREADING HOOK SET
31	NEEDLE	
32	416437901	TUBE
33	270 085263	M3 SCREW
34	416438001	STEPPING MOTOR
35	416438101	LED LAMP HARNESS
36	416438201	STEPPING MOTOR HARNESS (ZIG ZAG)
37	270 086046	THREAD GUIDE
38	270 087256	M3 SCREW
39	270 086999	SPRING
40	270 087154	NEEDLE CLAMP SET
41	270 087188	SPRING
42	270 087207	STRAIGHT PIN
43	270 087273	PIN
44	270 088317	THREAD GUIDE PLATE
45	416437801	THREADER SHAFT
46	416558901	SECURING PLATE
47	416438301	COMPRESSION SPRING
48	416438401	THREAD GUIDE B
49	270 088432	SPRING
50	270 088433	WASHER
51	416437801	THREAD GUIDE ASSY
52	416822001	NEEDLE BAR SUPPORT
53	416438601	SUPPORT BRACKET
54	416438701	SUPPORT BRACKET
55	416438701	SUPPORT BRACKET
56	416437801	THEARDER GUIDE PLATE
57	416438801	THREADER GUIDE A
58	416439101	THREADER SPRING
59	416438901	PIN
60	416439001	ZZ GEAR
61	416439001	ZZ GEAR LEVER
62	416439201	ZZ LINK
63	416439301	ECCENTRIC PIN
64	416439401	ROUND SHAFT
65	416439601	HEADED PIN
66	416439501	PINION
67	416776301	LED SUPPORT (LEFT)
68	416776401	LED SUPPORT (RIGHT)
69	416436001	LED LIGHT CASE
70	416439701	NEEDLE BAR CRANK
71	416776501	THREAD GUIDE
72	416439801	SCREW



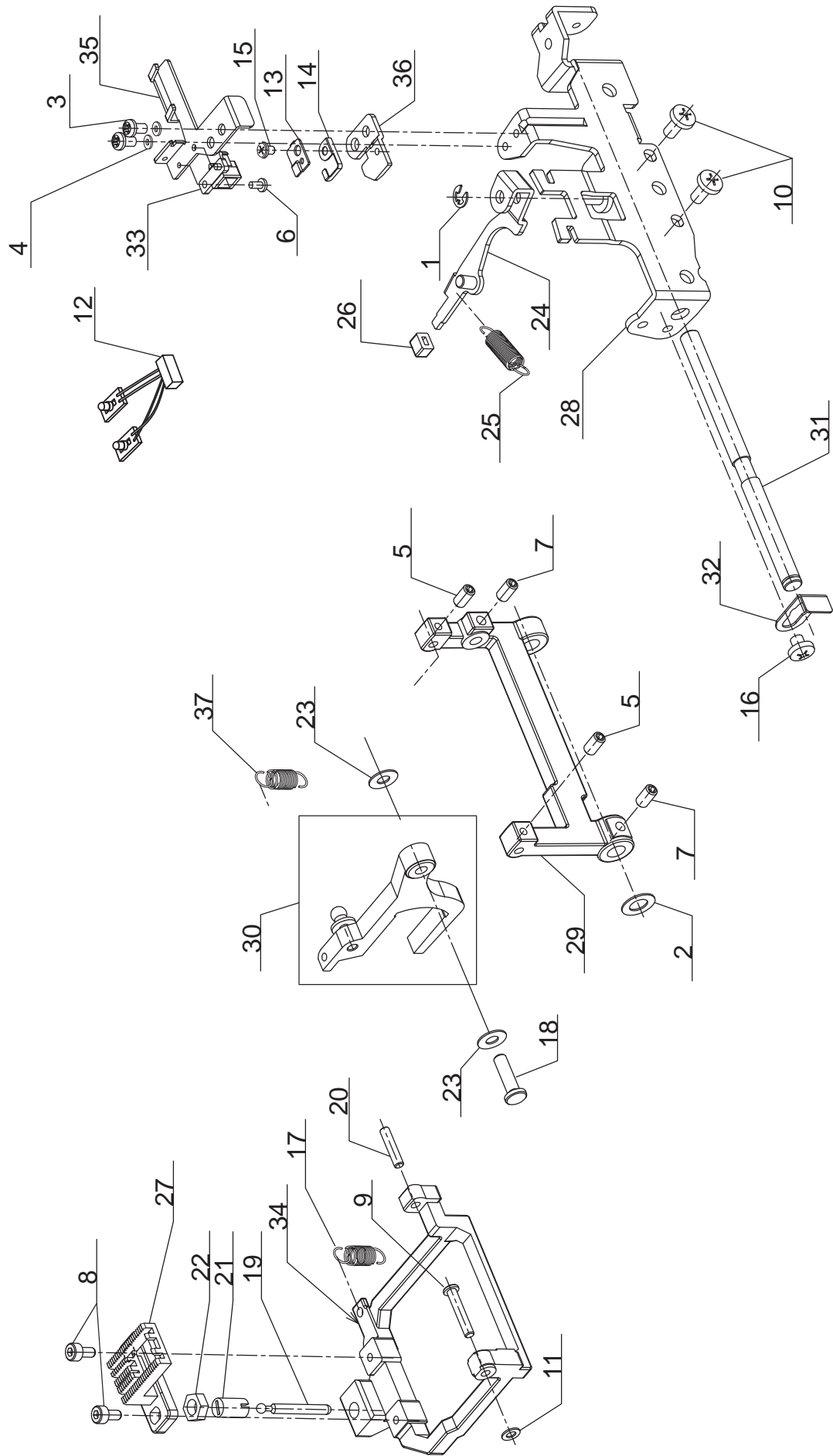
Pos	Part No	Description
1	270 001520	E3 CLIP-ON-WASHER
2	270 008400	E5 CLIP-ON-WASHER
3	416440001	NEEDLE PLATE SET
4	270 056858	M2 PHILIPS SCREW
5	270 061221	M4 PHILIPS SCREW
6	270 062215	M4 NUT
7	270 063278	PRESSER BAR
8	415404701	M3 PHILIPS SCREW
9	270 066727	M4 SCREW
10	270 073900	M3 PHILIPS SCREW
11	416776601	M4 BOLT
12	270 076251	PRESSER FOOT
13	270 077041	UNITY FASTENER
14	270 077042	M4 PHILLIPS SCREW
15	270 077043	FELT
16	270 079491	SCREW
17	270 080065	#7 SCREW FOR SHANK
18	270 080096	M2 PHILIPS SCREW
19		SCREW FOR SHANK (ITALY ONLY)
20		PRESSER FOOT HOLDER
21	270 085064	EXTENSION SPRING
22	270 085065	COMPRESSION SPRING
23	270 085262 NS	M2 SCREW
24	270 085332	SPACER
25	416665801	PRESSER FOOT POSITIONNING HARNESS
26	416440101	BUTTON HOLE STITCH SENSOR HARNESS
27	270 087115	PRESSURE SUPPORT PLATE
28	270 087212	M4 SCREW
29	270 087677	BH PLATE (A)
30	270 087679	BH PLATE (B)
31	270 087680	BH PLATE (C)
32	270 087692	BH CANTILEVER
33	270 087693	BH PALTE
34	270 087694	LEAF SPRING
35	270 087695	BH CANTILEVER SUPPORT
36	270 087766	BLADE
37	270 088112	INSULATION SHEET
38	416440401	STUD SCREW
39		FINGER GUARD (ITALY ONLY)
40	416440501	NEEDLE PLATE BRACKET
41	416440701	M4 SCREW
42	416440001	NEEDLE PLATE
43	416440801	BOBBIN COVER PLATE
44	416440001	NEEDLE PLATE GUIDE
45	416440001	THREAD CUTTER SECURING PLATE
46	416440001	THREAD CONTROL PLATE
47	416776801	PRESSER BAR GUIDE
48	416440901	PRESSER FOOT LIFTER
49	416506201	TENSION RELEASE LEVER
50	416776901	THREAD REGULATOR RELEASE LEVER
51	416506301	THREAD REGULATOR RELEASE LEVER BASE
52	416440201	PRESSER BAR GUIDE
53	416440301	SWITCH DOG ADJUSTMENT PLATE
54	416505501	PRESSER BAR GUIDE SET
55	416440001	RELEASE KNOB
56	416440001	RELEASE SPRING PLATE
57	416440001	BRACKET
58	416440601	NEEDLE PLATE BRACKET
59	416506401	PRESSER SWITCH DOG
60	416440001	THREAD CONTROL PLATE
61	416440001	M2 PHILIPS SCREW
62	416439801	SCREW
63	270 037515	WASHER



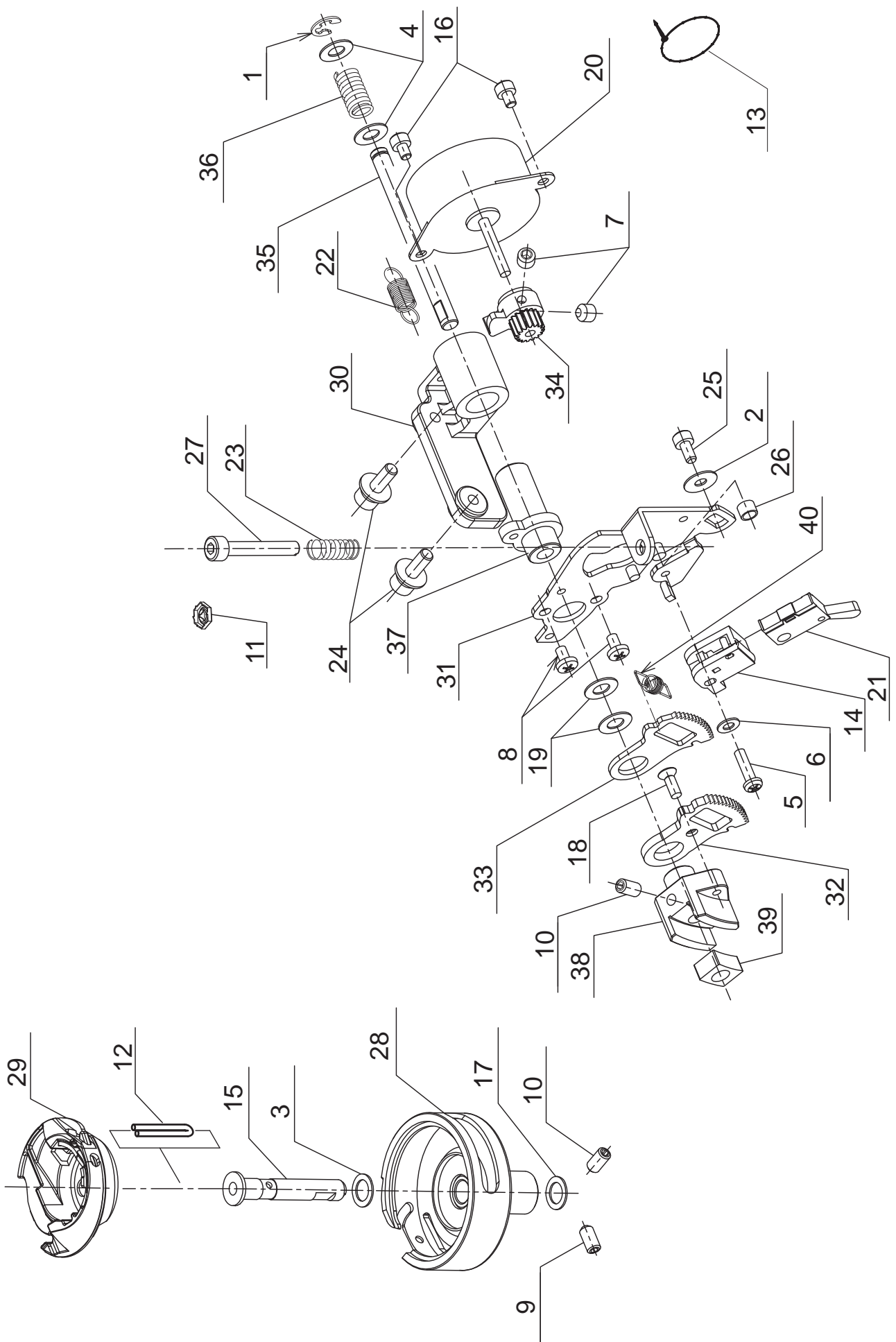
<u>Pos</u>	<u>Part No</u>	<u>Description</u>
1	270 001513	E4 CLIP-ON-WASHER
2	270 032949	WASHER
3	270 032949	M4 PHILIPS SCREW
4	270 061381	CRINKLE WASHER
5	416441101	HANDLE BRACKET
6	416441101	HANDLE BRACKET
7	416441201	PIN
8	416441301	HANDLE
9	416441401	E6 CLIP-ON-WASHER
10	416777001	KNEE LIFTER D
11	416777101	KNEE LIFTER E
12	416777201	M4 CP SCREW
13	270 058269	KNOCK PIN
14	270 061222	M4 PHILIPS SCREW
15	270 062215	M4 NUT
16	270 062307	M4 SCREW
17	270 066474	M5 SCREW
18	270 077042	M4 PHILLIPS SCREW
19	270 077056	WASHER
20	416777301	KNEE LIFTER SPRING
21	416777401	KNEE LIFTER SHAFT
22	416777501	KNEE LIFTER PLATE
23	416777601	KNEE LIFTER ARM
24	416777701	LIFTER CAM
25	416777801	KNEE LIFTER LEVER
26	416777901	KNEE LIFTER ROD
27	416778001	M4 STUD SCREW
28	416778101	KNEE LIFTER ARM BUSH
29	416778201	SPRING HOOK PLATE



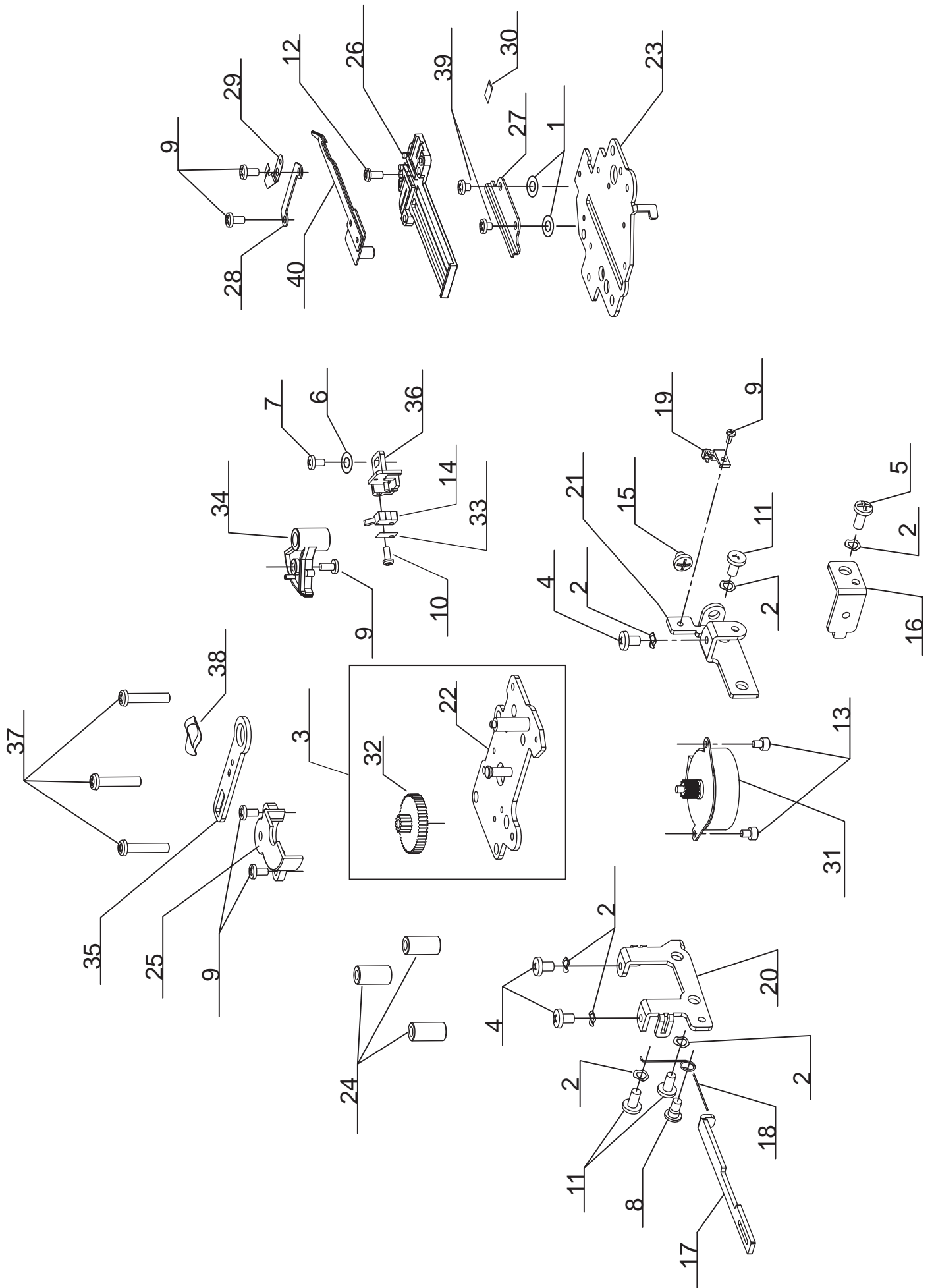
Pos	Part No	Description
1	270 001520	E3 CLIP-ON-WASHER
2	270 008400	E5 CLIP-ON-WASHER
3	270 032316	WASHER
4	270 060162	KNOCK PIN
5	270 063796	M3 SCREW
6	270 063805	WASHER
7	270 073900	M3 PHILIPS SCREW
8	270 077041	UNITY FASTENER
9	270 077042	M4 PHILLIPS SCREW
10	270 077044	M3 PHILIPS SCREW
11	270 077053	M3 PHILIPS SCREW
12	270 077527	SENSOR COVER
13	416441501	MOTOR FOR BOBBIN WINDER
14	416441601	BOBBIN WINDER SWITCH HARNESS
15	416778301	MOTOR FOR BOBBIN WINDER UNIT
16	416441701	CAM SENSOR HARNESS
17	270 086376	M3 SCREW
18	270 087000	M4 SCREW
19	416441801	SPRING
20	270 087242	INSULATION SHEET
21	416778401	CAM SENSOR FIXING PLATE
22	416778501	BOBBIN WINDER
23	416778601	BOBBIN WINDER ARM
24	416778701	BOBBIN WINDER SWITCH
25	416634401	BOBBIN WINDER SHAFT UNIT
26	416441901	BOBBIN WINDER SHAFT
27	416442001	BOBBIN WINDER PULLEY
28	416442101	BOBBIN WINDER MOTOR PULLEY
29	416442201	BOBBIN WINDER CAM
30	416442301	BOBBIN WINDER EXTENSION SPRING
31	416778801	BOBBIN WINDER FOLLOWER
32	416442401	ROUND BELT
33	416778901	BOBBIN WINDING UNIT SUPPORT
34	416442501	BOBBIN WINDING SWITCH LIMITER A
35	416442601	BOBBIN WINDING SWITCH LIMITER B
36	416442701	COMPRESSION SPRING



<u>Pos</u>	<u>Part No</u>	<u>Description</u>
1	270 001520	E3 CLIP-ON-WASHER
2	270 032316	WASHER
3	416442801	M3 SCREW
4	270 063805	WASHER
5	270 064653	M3 SCREW
6	270 066005	M2 PHILIPS SCREW
7	270 066725	M4 SCREW
8	270 072274	M3 CP SCREW
9	270 076132	SHAFT
10	270 077042	M4 PHILLIPS SCREW
11	270 085252 NS	WASHER
12	416442901	SENSOR HARNESS
13	416443101	NEEDLE BAR THREAD GUIDE
14	416443201	RETAINER PLATE
15	416443301	RETAINER SET
16	270 087000	M4 SCREW
17	270 087186	TORSION SPRING
18	270 087206	PIN
19	270 087208	BALL HEADED □ PIN
20	270 087210	PIN
21	270 087232	M6 STUD SCREW
22	270 087268	M6 NUT
23	270 087269	WASHER
24	270 087423	DROP LEVER
25	270 087424	TORSION SPRING
26	270 087425	DROP KNOB
27	416822201	FEED FOG
28	416779101	FEED SECURING PLATE
29	416443501	FEED DOG BASE SUPPORT
30	416443601	FEED REGULATOR ARM UNIT
31	416779101	FEED REGULATOR SHAFT
32	416443701	SECURING PLATE
33	416443801	FLOOD LIGHT HOLDER
34	416443901	FEED DOG BASE
35	416444001	SENSOR ATTACHMENT PLATE
36	416444101	RETAINER
37	416822101	TORSION SPRING

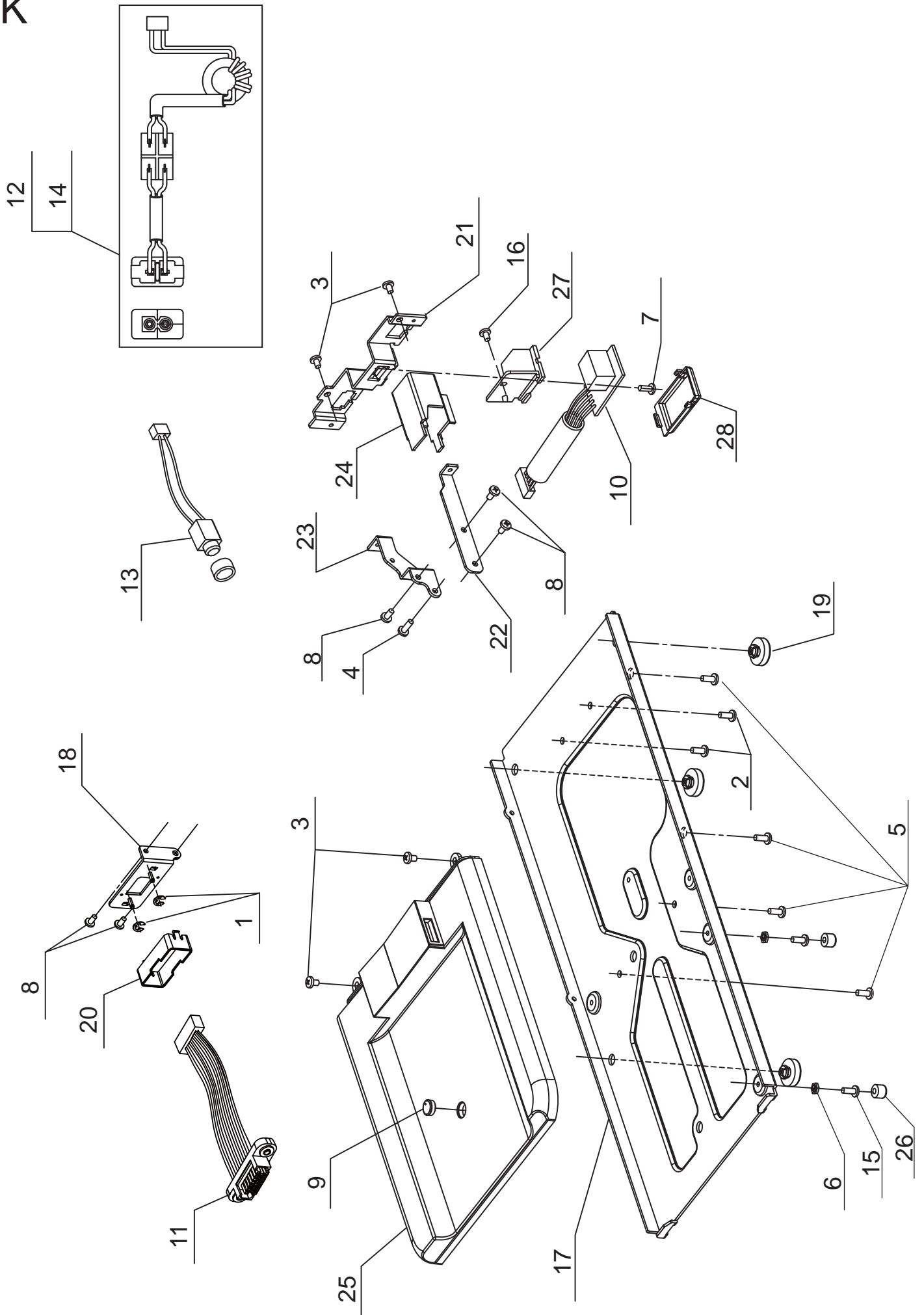


<u>Pos</u>	<u>Part No</u>	<u>Description</u>
1	270 001513	E4 CLIP-ON-WASHER
2	270 031246	WASHER
3	270 043392	THRUST WASHER
4	270 059221	WASHER
5	270 063796	M3 SCREW
6	270 063805	WASHER
7	270 064653	M3 SCREW
8	416442801	M3 SCREW
9	270 066725	M4 SCREW
10	270 066727	M4 SCREW
11	270 073299	M4 TORQUE NUT
12	270 076203	OILING CORD
13	270 077041	UNITY FASTENER
14	270 077527	SENSOR COVER
15	270 080078	SHUTTLE RACE SHAFT
16	270 080110	BOLT
17	416514601	WASHER
18	270 085072	M3 SCREW
19	270 085162 NS	WASHER
20	416438001	STEPPING MOTOR
21	416444201	STEPPING MOTOR HARNESS (FEEDING)
22	270 087188	SPRING
23	270 087189	COMPRESSION SPRING
24	416821901	CP BOLT
25	270 087262	M3 CP SCREW
26	270 087273	PIN
27	270 087668	M4 BOLT
28	416444301	SHUTTLE RACE UNIT
29	416444401	BOBBIN CASE UNIT
30	416444801	FEED REGULATOR SUPPORT
31	416785301	PM SUPPORT
32	416444501	FEED REGULATOR BLOCK GEAR A
33	416444601	FEED REGULATOR BLOCK GEAR B
34	416444701	PINION (16T) UNIT
35	416444901	FEED REGULATOR SHAFT
36	416445001	FEED REGULATOR SPRING
37	416445101	FEED REGULATOR BUSH
38	416445201	FEED REGULATOR
39	416445301	SLIDE BLOCK
40	416445401	FEED REGULATOR GEAR SPRING

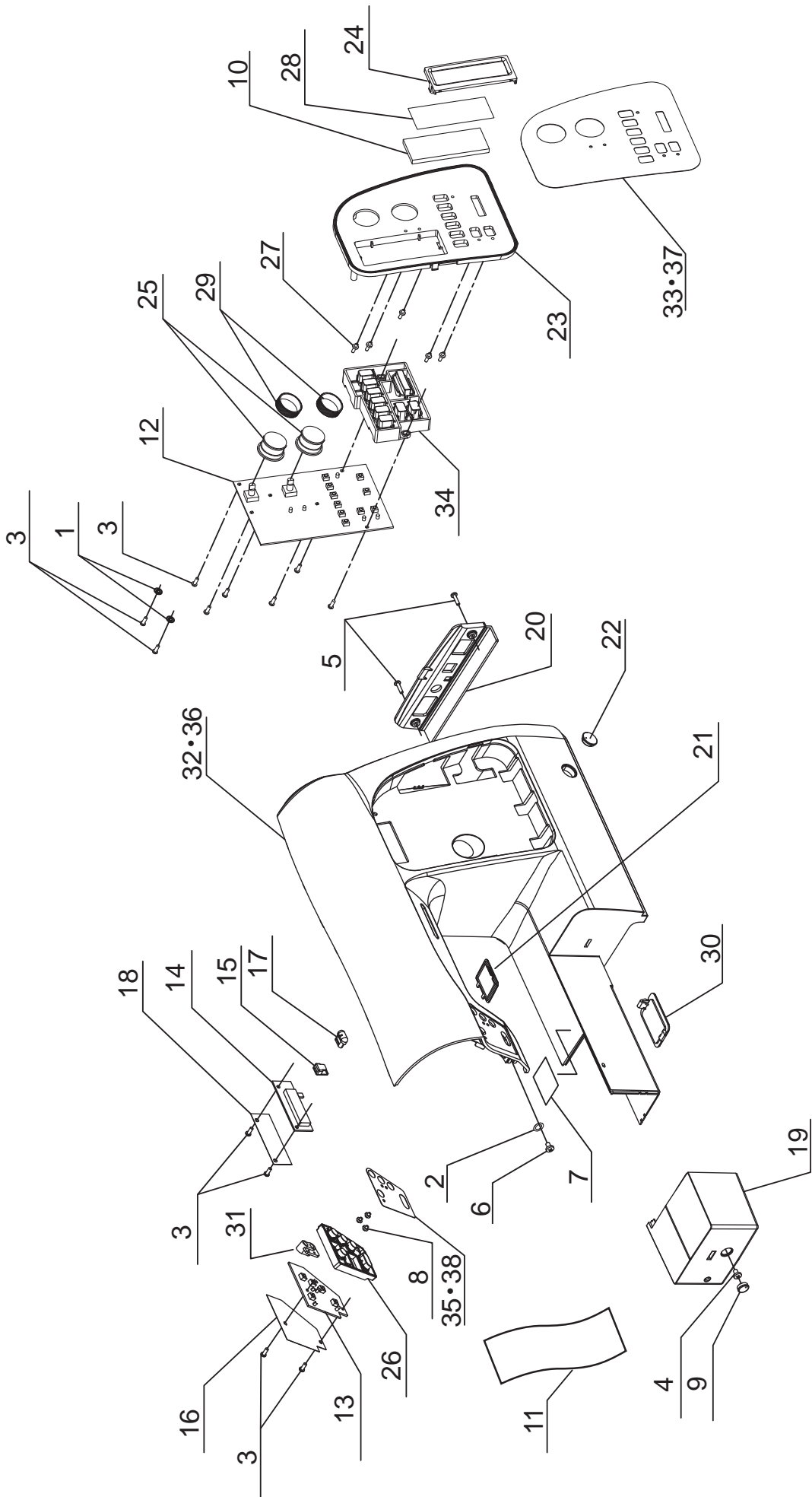


<u>Pos</u>	<u>Part No</u>	<u>Description</u>
1	270 037515	WASHER
2	270 045704	CRINKLE WASHER
3	416445501	THREAD CUTTER BASE SET
4	416445601	M4 PHILIPS SCREW
5	270 061222	M4 PHILIPS SCREW
6	270 063560	WASHER
7	415404701	M3 PHILIPS SCREW
8	270 066481	M4 STUD SCREW
9	270 076317	M3 PHILIPS SCREW
10	416445701	TAPPING SCREW
11	270 077042	M4 PHILLIPS SCREW
12	270 077044	M3 PHILIPS SCREW
13	270 080110	BOLT
14	416445801	SENSOR HARNESS
15	270 087000	M4 SCREW
16	416779301	MOUNTING PLATE
17	416445901	DROP CONNECTING PLATE
18	416446001	TORSION SPRING
19	416779401	SENSOR RECEIVER HOLDER
20	416446101	BLADE FIXTURE
21	416446201	THREAD CUTTER BASE B
22	416445601	THREAD CUTTER BASE C
23	416446301	THREAD CUTTER BASE D
24	416446401	PIPE BASE
25	416446501	GEAR COVER
26	416446601	THREAD CUTTER GUIDE PLATE
27	416446701	GUIDE PLATE
28	416446801	HOOK SECURING PLATE
29	416446901	THREAD CUTTER SPRING PLATE
30	416447001	BLADE
31	416447101	THREAD CUTTER STEPPING MOTOR
32	416445601	THREAD CUTTER GEAR
33	416447201	INSULATION SHEET
34	416447301	THREAD CUTTER LEVER GEAR
35	416447401	THREAD CUTTER DRIVING LEVER
36	416447501	BOBBIN THREAD CUTTER SWITCH BASE
37	416447601	M4 SCREW
38	416447701	CRINKLE WASHER
39	416447801	M3 SCREW
40	416447901	THREAD CUTTER HOOK UNIT

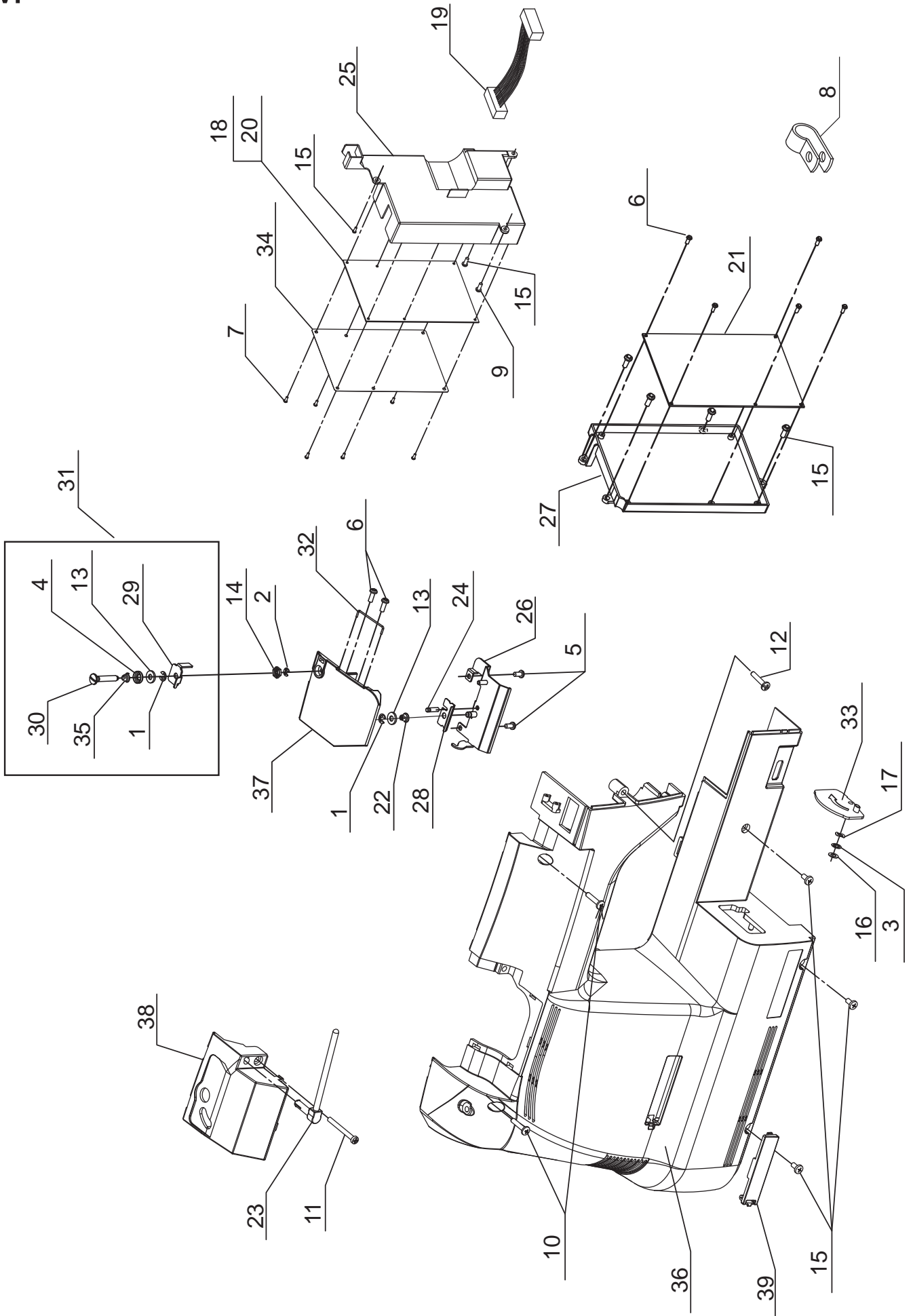
K



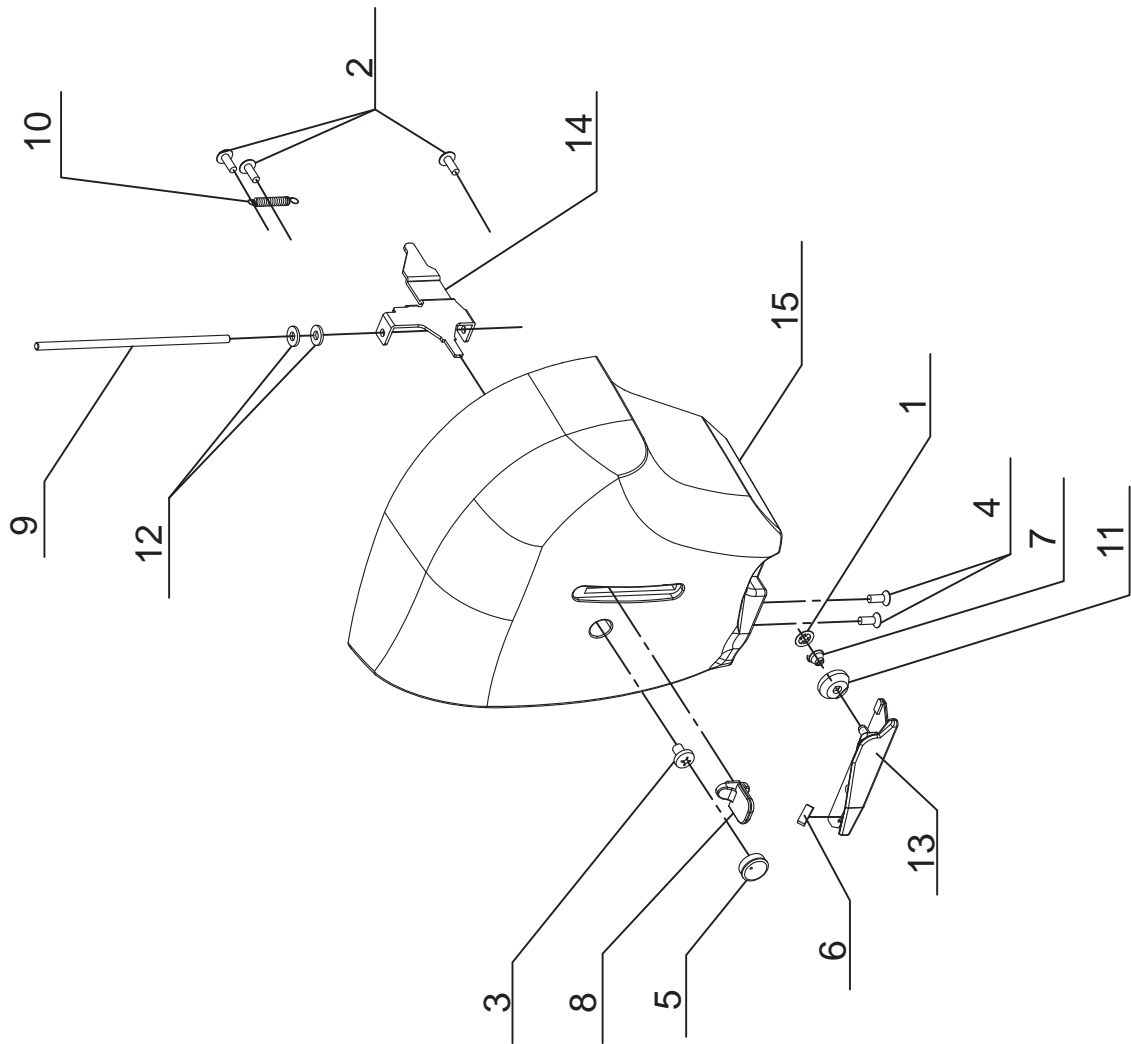
<u>Pos</u>	<u>Part No</u>	<u>Description</u>
1	270 025436	E2 CLIP-ON-WASHER
2	416448001	M3.5 TAPPING SCREW
3	270 061222	M4 PHILIPS SCREW
4	270 061225	M4 PHILIPS SCREW
5	270 063560	M4 PHILIPS SCREW
6	270 073299	M4 TORQUE NUT
7	270 073900	M3 PHILIPS SCREW
8	270 077042	M4 PHILLIPS SCREW
9	270 083116	CAP
10	270 084030	USB HARNESS
11	416448101	CONNECTING HARNESS
12	416448201	POWER SWITCH CORD ASSY. (120V)
13	416448301	FC JACK HARNESS
14	416448401	POWER SWITCH CORD ASSY. (230V)
15	270 086038	STUD SCREW
16	270 047181	TAPPING SCREW
17	416448501	BASE
18	416779501	DRAWER SUPPORT
19	416448601	RUBBER CUSHION
20	416448701	DRAWER CAP
21	416779601	TERMINAL HOLDER
22	416779701	TERMINAL BRACKET (LEFT)
23	416779801	TERMINAL BRACKET (RIGHT)
24	416779901	SWITCH INSULATION COVER
25	416448801	BOTTOM COVER
26	416448901	RUBBER FOOT
27	416780001	USB BOARD COVER TOP
28	416780101	USB BOARD COVER BASE



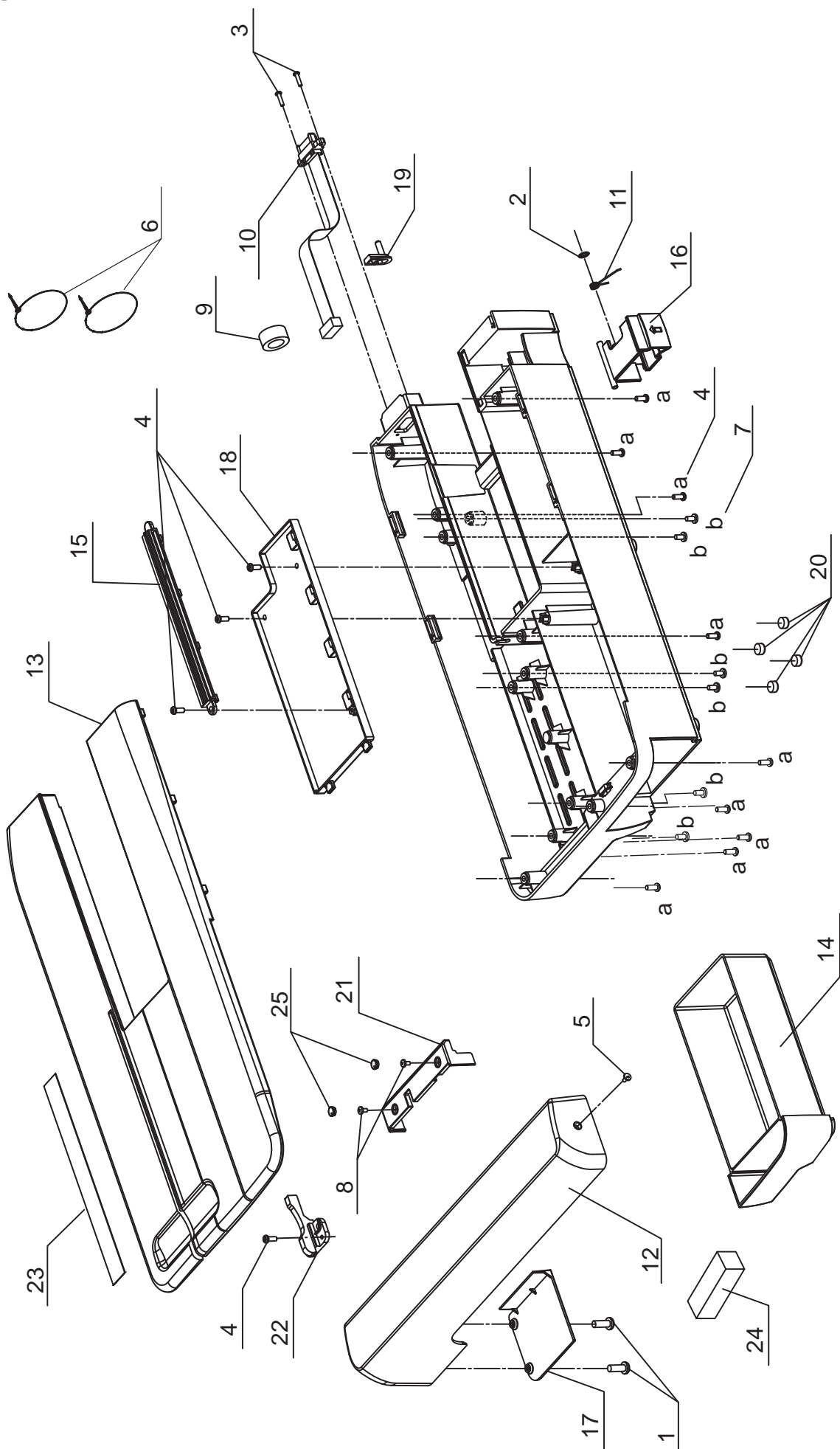
Pos	Part No	Description
1	270 025670	WASHER
2	270 031246	WASHER
3	270 039213	M3 SCREW
4	270 077042	M4 PHILLIPS SCREW
5	416449001	M3 PHILIPS SCREW
6	270 076317	M3 PHILIPS SCREW
7	270 076511	SEAL
8	270 083044	LED PANEL
9	270 083116	CAP
10	416449101	LCD
11	416449201	CONNECTOR CABLE
12	416449301	SWITCH CIRCUIT BOARD
13	416449401	SW HARNESS
14	416449501	SPEED CONTROL SWITCH HARNESS
15	416449601	SLIDE LEVER
16	416449701	INSULATION SHEET (SW HARNESS)
17	416449801	SPEED CONTROL KNOB
18	416447801	INSULATION SHEET (SV BOARD HARNESS)
19	416449901	BED CAP
20	416450001	TERMINAL COVER
21	416450101	LED LIGHT COVER
22	416450201	KNEE LIFTER CAP
23	416634301	CONTROL PANEL
24	416780201	LCD CASE
25	416450301	BUTTON
26	416780301	SWITCH PANEL BUTTON
27	416473201	LED LENS
28	416667101	LCD PROTECTION SHEET
29	416473301	RUBBER BAND
30	416457701	STEPPING MOTOR ADJUST COVER
31	416457801	LED SHADE PLATE
32	416780401	FRONT COVER □SINGER5 ONLY□
33	416780501	PANEL SHEET □SINGER5 ONLY□
34	416486901	SWITCH PANEL BUTTON
35	416780601	SWITCH PANEL SHEET □SINGER5 ONLY□
36	416822401	FRONT COVER □XL-580 ONLY□
37	416822501	PANEL SHEET □XL-580 ONLY□
38	416822601	SWITCH PANEL SHEET □XL-580 ONLY□



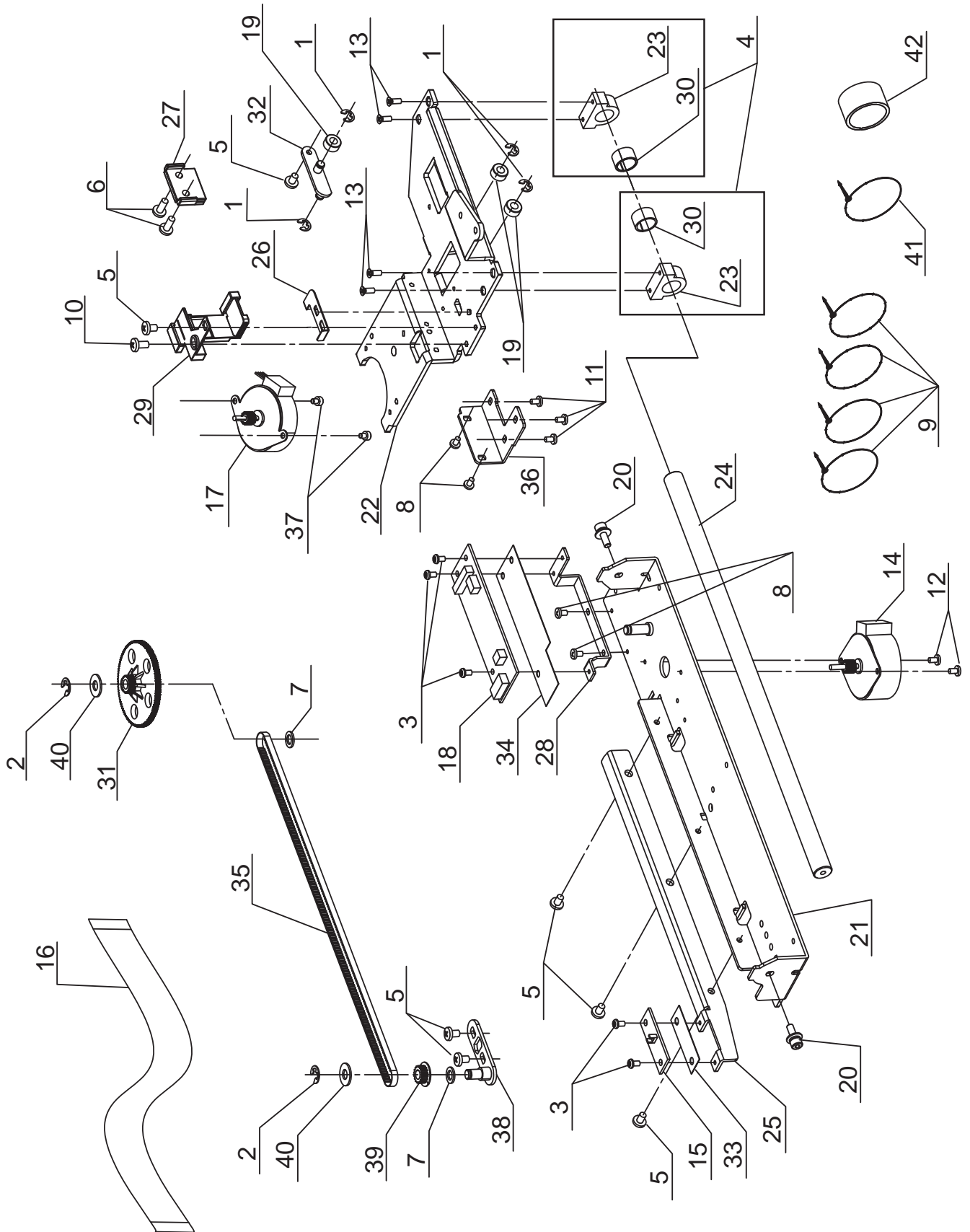
<u>Pos</u>	<u>Part No</u>	<u>Description</u>
1	270 001520	E3 CLIP-ON-WASHER
2	270 027925	E2.5 CLIP-ON-WASHER
3	270 053735	WASHER
4	416450501	HOLDER TENSION DISC
5	270 039163	TAPPING SCREW
6	270 039213	M3 SCREW
7	270 047181	TAPPING SCREW
8	270 058741	CORD GUARD
9	270 061225	M4 PHILIPS SCREW
10	270 064484	TAPPING SCREW
11	270 064957	TAPPING SCREW
12	270 065736	M4 PHILIPS SCREW
13	270 072858	WASHER
14	270 073299	M4 TORQUE NUT
15	270 077042	M4 PHILLIPS SCREW
16	270 077507	CLIP-ON-WASHER
17	416450601	CRINKLE WASHER
18	416450801	AC CIRCUIT BOARD□(100-120V)
19	416451001	CONNECTOR CABLE
20	416450901	AC CIRCUIT BOARD□(200-240V)
21	416487101	CPU CIRCUIT BOARD
22	270 086999	SPRING
23	270 087296	SPOOL PIN UNIT
24	416451101	PIN
25	416780701	AC CIRCUIT BOARD BOX
26	416451201	THREAD GUIDE
27	416780801	CPU CIRCUIT BOARD BOX
28	416451301	THREAD REGULATING PLATE
29	416450501	THREAD GUIDE BASE
30	416450501	THREAD GUIDE ADJUSTABLE SCREW
31	416450501	THREAD GUIDE UNIT
32	416451401	THREAD GUIDE PIN
33	416451501	DRAWER CAP
34	416780901	INSULATION SHEET (AC CIRCUIT)
35	416450501	COMPRESSION SPRING
36	416458701	BACK COVER
37	416487301	THREAD PATH CAP
38	416487401	BOBBIN WINDER COVER
39	416451901	SPOOL STAND ATTACHMENT COVER



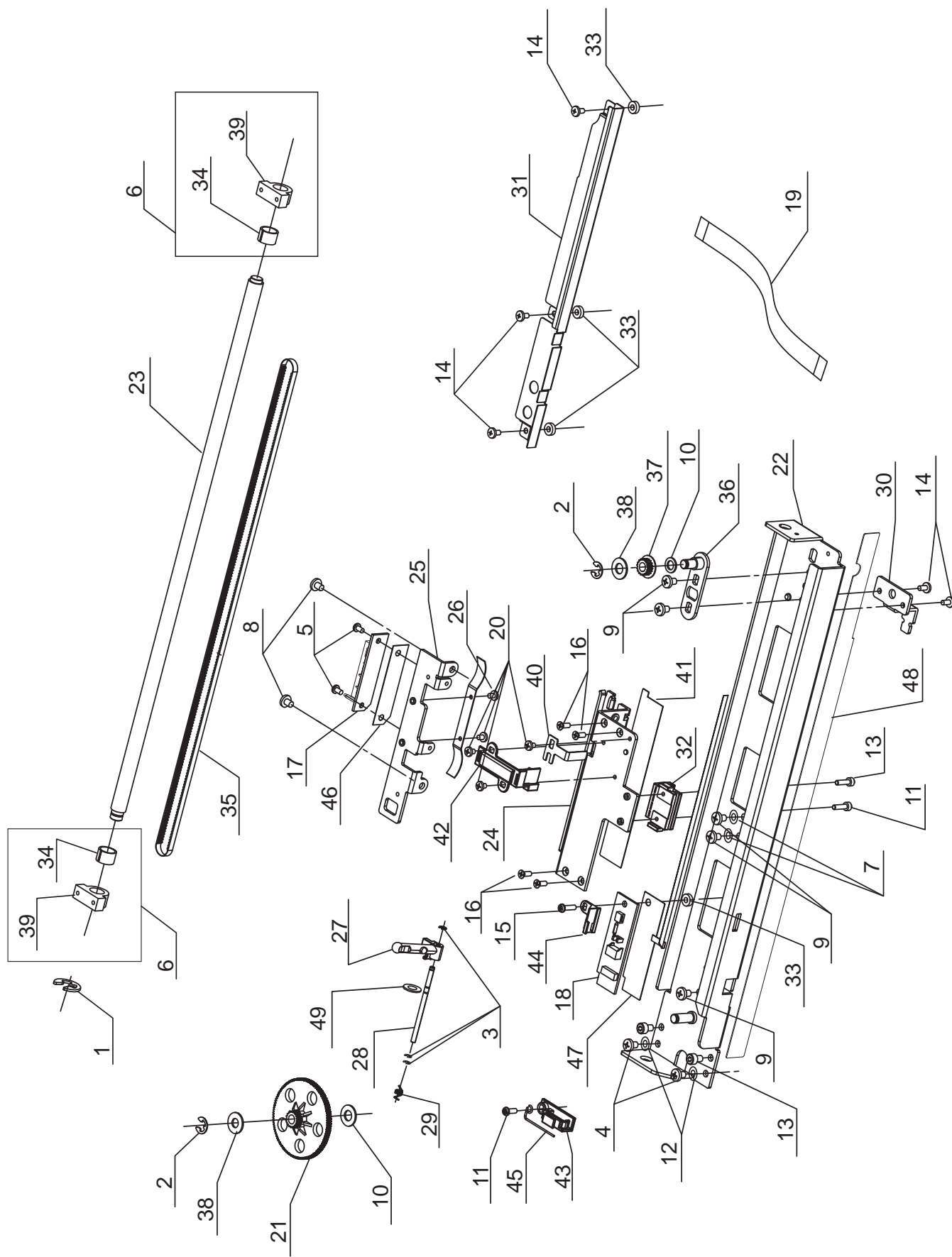
<u>Pos</u>	<u>Part No</u>	<u>Description</u>
1	270 039615	CLIP-ON-WASHER
2	270 065826	TAPPING SCREW
3	270 077042	M4 PHILIPS SCREW
4	416435101	TAPPING SCREW
5	270 083116	CAP
6	270 087766	BLADE
7	416452101	SPRING
8	270 088415	THREADER LEVER
9	416452001	THREADER SHAFT
10	416452201	EXTENSION SPRING
11	416452301	HOLDER TENSION DISC
12	270 088433	WASHER
13	416452401	THREAD HOLDER
14	416452501	THREADER LEVER PLATE
15	416452601	FACE COVER



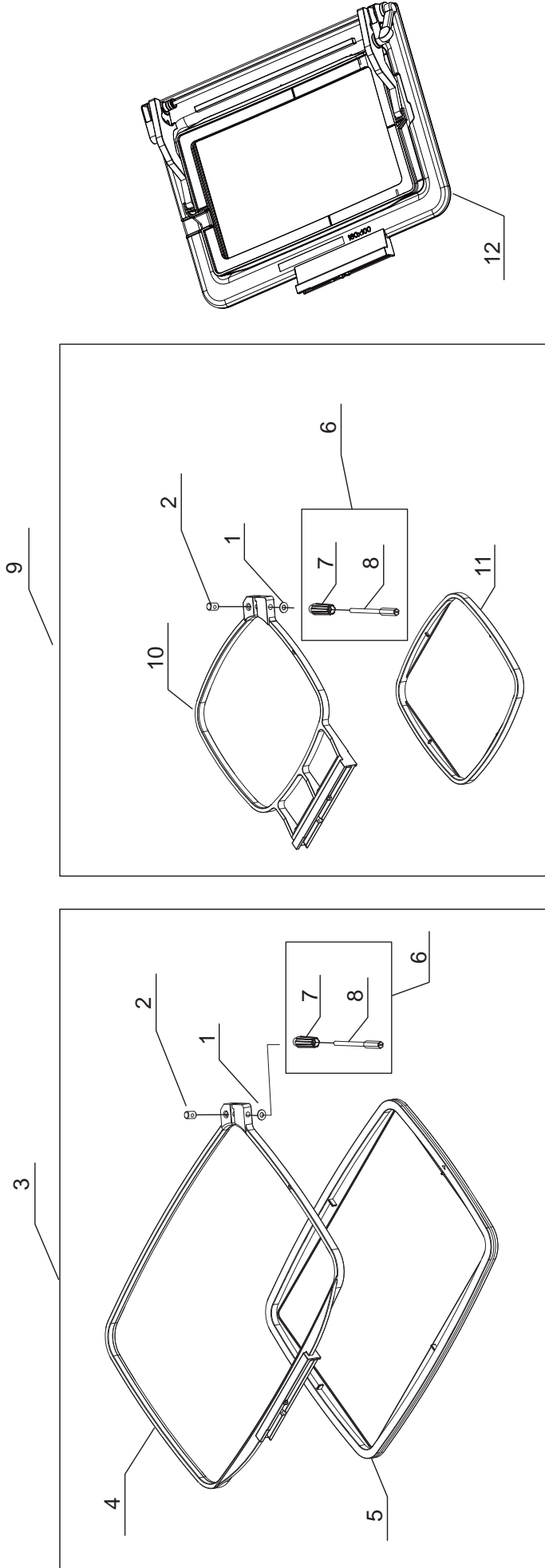
<u>Pos</u>	<u>Part No</u>	<u>Description</u>
1	270 039213	M3 SCREW
2	270 046293	CS-5 CLIP-ON-WASHER
3	270 047181	TAPPING SCREW
4	270 063736 NS	TAPPING SCREW
5	270 076317	M3 PHILIPS SCREW
6	270 77041	UNITY FASTENER
7	270 077042	M4 PHILLIPS SCREW
8	270 077044	M3 PHILIPS SCREW
9	270 085318	FERRITE RING
10	416452701	CONNECTING HARNESS
11	416452801	RELEASE LEVER SPRING
12	416459001	CARRIAGE
13	416453001	TOP COVER
14	416453101	DRAWER
15	416454001	RAIL GUIDE
16	416453201	RELEASE LEVER
17	416781001	CARRIAGE COVER LID
18	416781101	DRAWER COVER
19	416453301	FEED DOG DROP PIN
20	416453401	RUBBER FOOT
21	416453501	CARRIAGE HARNESS COVER
22	416453701	SLIT COVER
23	416453801	FLAP
24	416538201	SPACER
25	416453601	CAP



<u>Pos</u>	<u>Part No</u>	<u>Description</u>
1	270 001513	E4 CLIP-ON-WASHER
2	270 008400	E5 CLIP-ON-WASHER
3	416442801	M3 SCREW
4	416781201	X AXIS METAL BUSH
5	270 061222	M4 PHILIPS SCREW
6	270 061224	M4 PHILIPS SCREW
7	416454701	WASHER
8	415404701	M3 PHILIPS SCREW
9	270 077041	UNITY FASTENER
10	270 077042	M4 PHILLIPS SCREW
11	270 077044	M3 PHILIPS SCREW
12	270 080110	BOLT
13	270 085072	M3 SCREW
14	416454801	X AXIS MOTOR
15	416454901	X AXIS SENSOR HARNESS
16	416455001	X AXIS FFC CORD
17	416455101	Y AXIS MOTOR
18	416455201	X AXIS MAIN BOARD
19	270 086349	GUIDE ROLLER
20	270 087261	CP BOLT
21	416781301	X BASE
22	416781401	X MOVING PLATE
23	416781501	X AXIS METAL
24	416455301	X AXIS SHAFT
25	416781601	X AXIS RAIL PLATE
26	416781701	X AXIS DOG ADJUSTING PLATE
27	416455401	X AXIS BELT HOLDER
28	416781801	JOINING HARNESS SUPPORT
29	416781901	F CABLE HOLDER
30	416473701	X AXIS BUSH
31	416455501	DRIVING PULLEY
32	416455601	X AXIS ROLLER SUPPORT
33	416782001	INSULATION SHEET
34	416782101	INSULATION SHEET
35	416455701	X AXIS TIMING BELT
36	416782201	X AXIS MOVING PLATE SUPPORT
37	416782301	CP SCREW
38	416455801	PULLEY BASE
39	416455901	PULLEY
40	416456001	WASHER
41	416723301	UNITY FASTENER
42	416782401	FERRITE CORE



Pos	Part No	Description
1	270 001504	E7 CLIP-ON-WASHER
2	270 008400	E5 CLIP-ON-WASHER
3	270 025436	E2 CLIP-ON-WASHER
4	270 031733	M3 NUT
5	416442801	M3 SCREW
6	416782501	Y AXIS METAL BUSH
7	270 058220	WASHER
8	270 061221	M4 PHILIPS SCREW
9	270 061222	M4 PHILIPS SCREW
10	416454701	WASHER
11	270 063796	M3 SCREW
12	270 063805	WASHER
13	270 072367	M4 CP SCREW
14	270 077053	M3 PHILIPS SCREW
15	270 077057	M3 PHILIPS SCREW
16	270 085072	M3 SCREW
17	416454601	SENSOR HARNESS
18	416456101	Y AXIS SENSOR HARNESS
19	416456201	Y AXIS FFC CORD
20	270 087256	M3 SCREW
21	416455501	DRIVING PULLEY
22	416782601	Y AXIS BASE
23	416456301	Y AXIS SHAFT
24	416782801	Y AXIS MOVING PLATE
25	416821601	SWITCH HARNESS SUPPORT
26	416456401	HOOP HOLDER SPRING PLATE
27	416456501	HOOP FIXING LEVER
28	416456601	HOOP FIXING LEVER SHAFT
29	416456701	HOOP FIXING LEVER SPRING
30	416782801	X AXIS RAIL GUIDE SUPPORT
31	416782901	F CABLE GUIDE PLATE
32	416783001	Y AXIS RAIL GUIDE SUPPORT
33	416456801	SPACER
34	416473801	Y AXIS BUSH
35	416456901	Y AXIS TIMING BELT
36	416455801	PULLEY BASE
37	416455901	PULLEY
38	416456001	WASHER
39	416783101	Y AXIS METAL
40	416783201	Y AXIS DOG ADJUSTING PLATE
41	416783301	PROTECTION STICKER
42	416783401	F CABLE HOLDER A
43	416783501	F CABLE HOLDER B
44	416783601	F CABLE HOLDER C
45	416783701	F CABLE GUIDE
46	416783801	INSULATION SHEET
47	416783901	INSULATION SHEET
48	416784001	Y AXIS BASE SHEET
49	270 037515	WASHER



<u>Pos</u>	<u>Part No</u>	<u>Description</u>
1	270 053735	WASHER
2	416453901	M4 NUT
3	416784101	LARGE HOOP (SET)
4	416784201	OUTER FRAME (L)
5	416454101	INNER FRAME (L)
6	416454201	HOOP SECURING SCREW (SET)
7	416454201	HOOP SECURING SCREW COVER
8	416454201	HOOP SECURING SCREW
9	416454301	SMALL HOOP (SET)
10	416454301	OUTER FRAME (S)
11	416454301	INNER FRAME (S)
12	416784301	ENDLESS HOOP

Pos	Part No	Description
1	416436901	USB CABLE
2	416784401	ACCESSORY SET
3	416784501	ACCESSORY SET (ITALY ONLY)
4	416784601	ACCESSORY SET
5	416784701	INTRODUCTION SEEAT
6	416436801	THREAD SPOOL NET (LONG)
7	270 065811	LARGE SCREW DRIVER
8	270 074793	SMALL SCREW DRIVER
9	416437001	ZIPPER FOOT
10	416437101	BLIND STITCH FOOT
11	270 076257	BUTTON SEWING FOOT
12	270 088100	BUTTONHOLE PLATE
13	270 077040	SPOOL PIN DISC
14	270 079455	LARGE SCREW DRIVER
15	270 080065	#7 SCREW FOR SHANK
16	270 080120	ACCESSORY VINYL BAG
17	416436101	FOOT CONTROL
18	416784801	KNEE LIFTER
19	416784901	SOFTWARE CD <input type="checkbox"/> SINGER5 ONLY <input type="checkbox"/>
20	260 200014BZ03	NEEDLE SET
21	270 085128	BOBBIN
22	270 085339	POWER CORD (230V)
23	416436401	BUTTONHOLE OPENER / BRUSH
24	270 086933	THREAD SPOOL NET (SHORT)
25	270 087003	SCISSORS
26	270 085015	SATIN FOOT
27	270 087287	SPOOL PIN CAP (MINI)
28	271 087287	SPOOL PIN CAP (SMALL)
29	272 087287	SPOOL PIN CAP (LARGE)
30	270 087534	POWER CORD (120V)
31	270 087696	BUTTONHOLE FOOT
32	270 088100	BUTTONHOLE FOOT
33	270 088366	SPOOL PIN
34	416785001	ACCESSORY BOX <input type="checkbox"/> SINGER5 ONLY <input type="checkbox"/>
35	416436701	EMBROIDERY PRESSER FOOT
36	270 085338	POWER CORD (Saudi Arabia)
37	416785101	INTRODUCTION BOOK (Eng/Fre/Spa) <input type="checkbox"/> SINGER5 ONLY <input type="checkbox"/>
38	416557101	POWER CORD (Australia)
39	416822701	ACCESSORY BOX <input type="checkbox"/> XL-580 ONLY <input type="checkbox"/>
40	270 087534	POWER CORD (Shanghai)
41	416821701	IB CD <input type="checkbox"/> XL-580 ONLY <input type="checkbox"/>
42	416821801	INTRODUCTION BOOK (Eng/Fre/Spa) <input type="checkbox"/> XL-580 ONLY <input type="checkbox"/>
43	416822901	SOFTWARE CD <input type="checkbox"/> XL-580 ONLY <input type="checkbox"/>